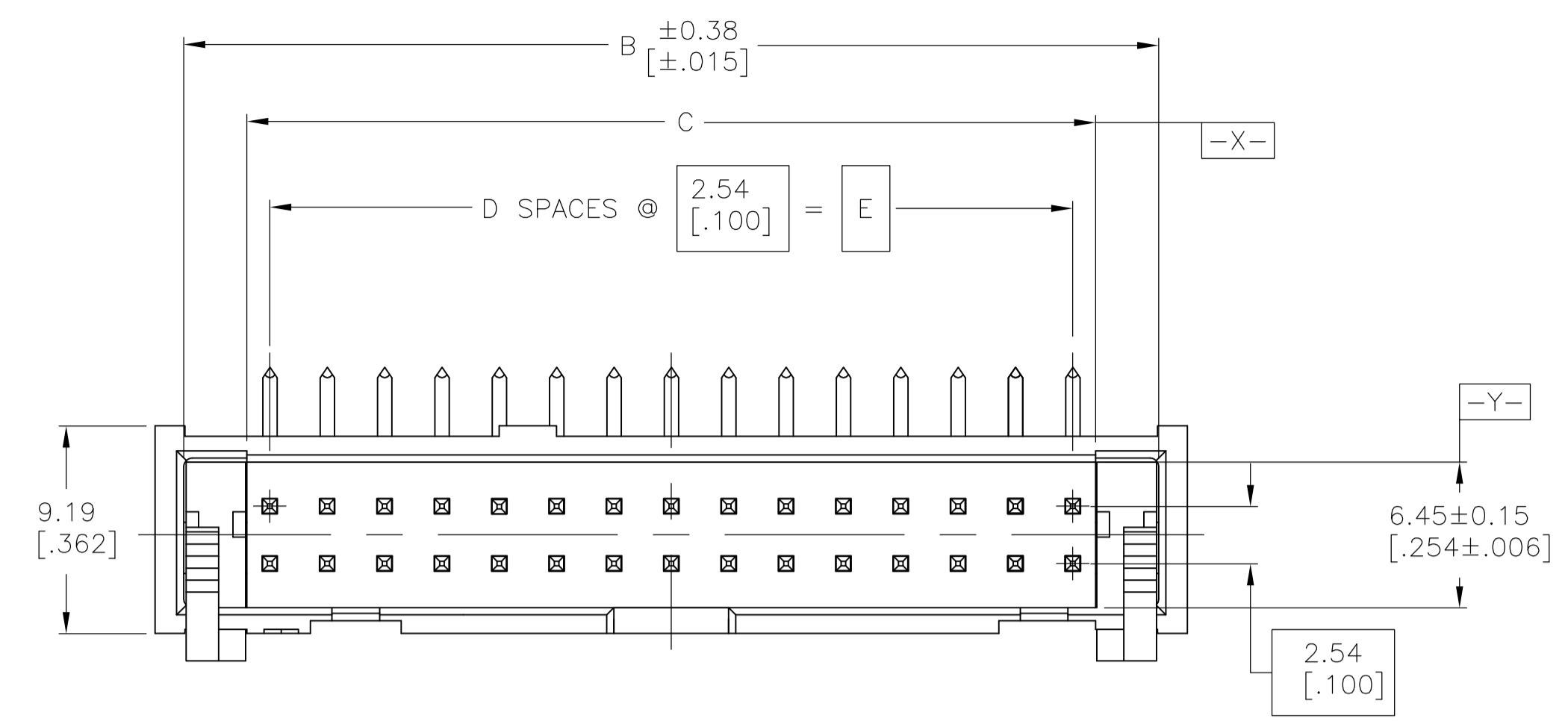
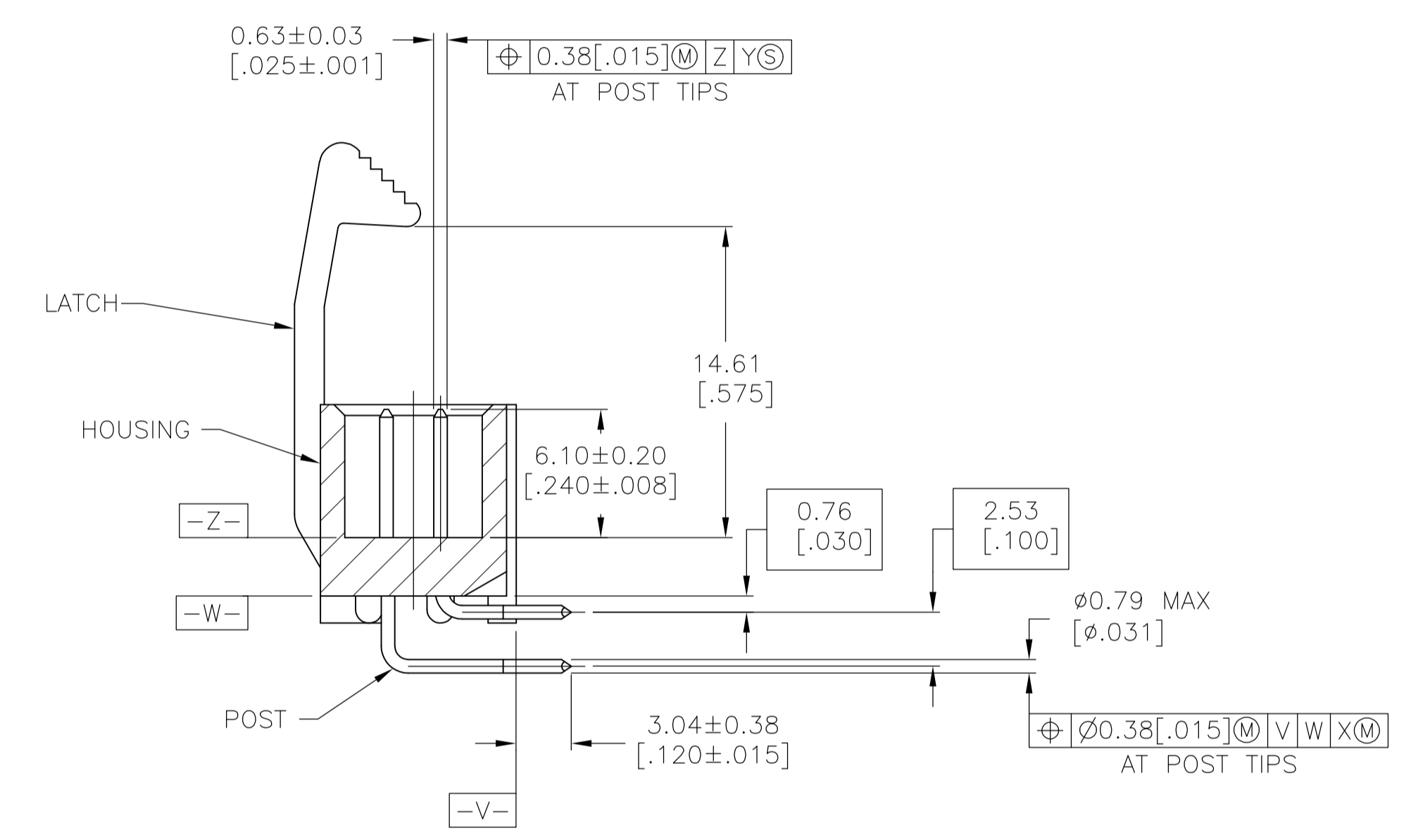
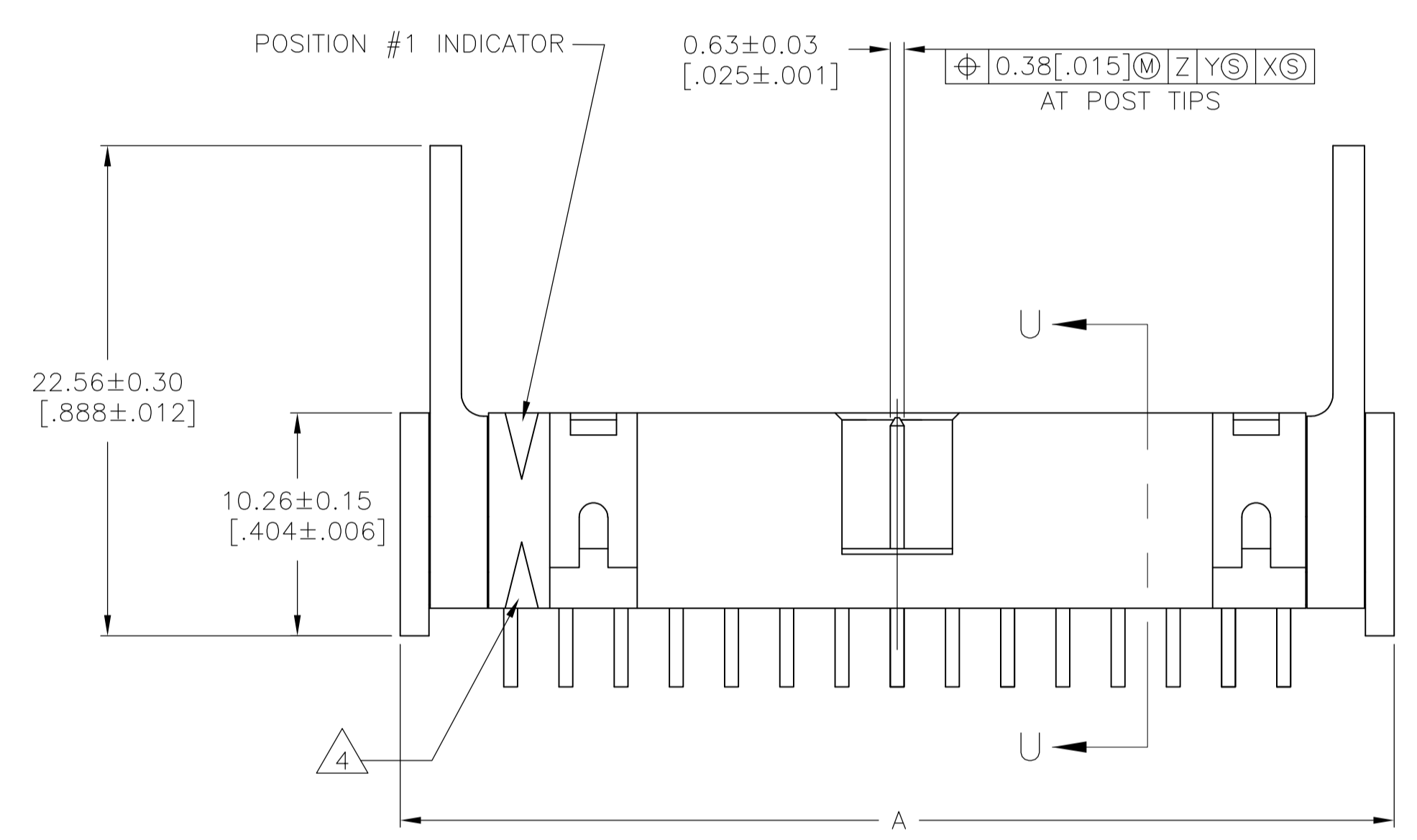


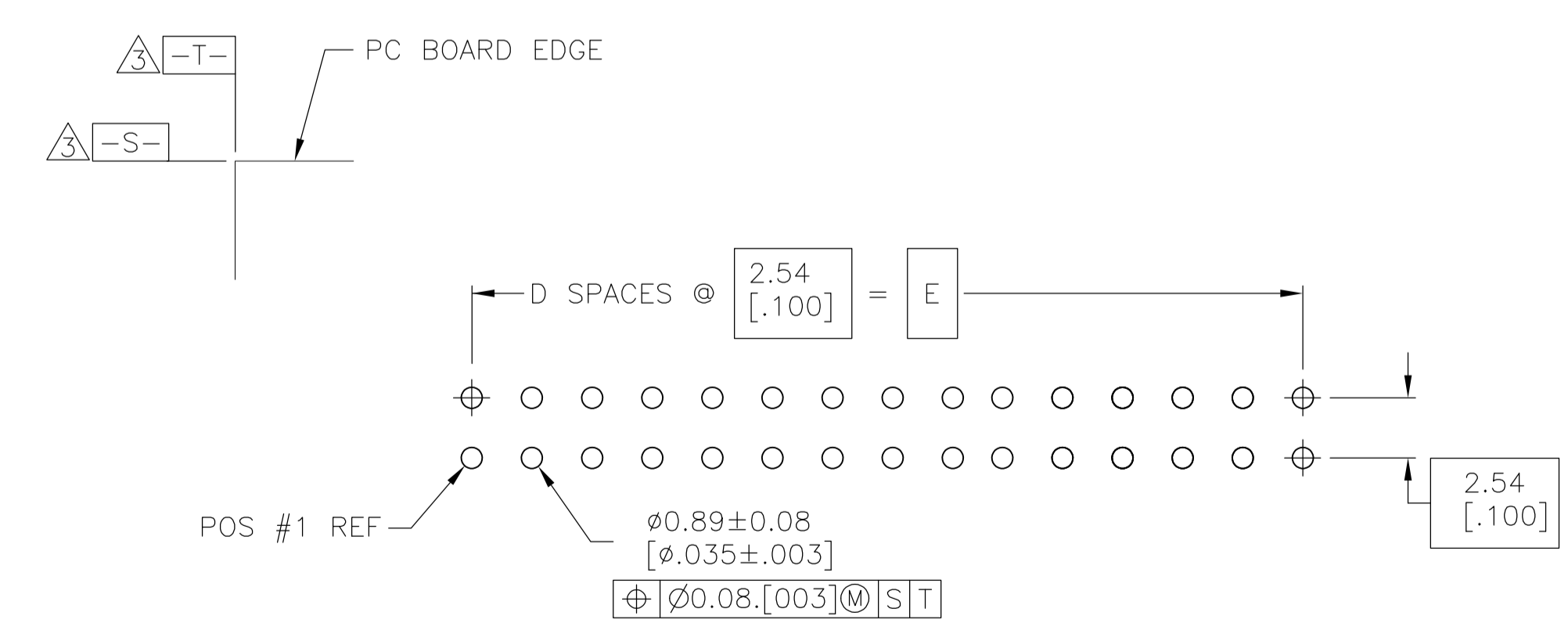
LOC		DIST		REVISIONS				
GP	00	REV	DATE	BY	CHK	APPV		
D	REVISED PER ECO-09-002944	19MAR2009	CR	SB				



- ⚠ HOUSING: PCT, UL94V-0, COLOR: BLACK  
POSTS: PHOSPHOR BRONZE.  
LATCHES: ZINC ALLOY.
- ⚠ POSTS: GOLD FLASH OVER PALLADIUM-NICKEL PLATE, 0.76 $\mu$ m[.000030] MIN TOTAL ON MATING AREA, 2.54 $\mu$ m[.000100] MIN TIN PLATE ON SOLDER-TAIL, ALL OVER 1.27 $\mu$ m[.000050] MIN NICKEL UNDERPLATE ON ENTIRE POST.  
OR  
0.76 $\mu$ m[.000030] MIN GOLD PLATE ON MATING AREA, 2.54 $\mu$ m[.000100] MIN TIN PLATE ON THE SOLDER-TAIL, 1.27 $\mu$ m[.000050] MIN NICKEL UNDERPLATE ON THE ENTIRE POST.  
LATCHES: BLACK NICKEL OVER COPPER.
- ⚠ DATUMS S & T TO BE ESTABLISHED BY CUSTOMER.
- ⚠ ALTERNATE LOCATION/ORIENTATION FOR POSITION #1 INDICATOR



SECTION U-U



RECOMMENDED PC BOARD LAYOUT (VIEWED FROM CONNECTOR SIDE)

35.56 [1.400]	14	37.59 [1.480]	43.08 [1.696]	45.72 [1.800]	30	1761720-1
E	D	C	B	A	NO OF POS	PART NUMBER

THIS DRAWING IS A CONTROLLED DOCUMENT.		DIN B MCMMASTER 06SEPOS		Tyco Electronics Corporation	
DIMENSIONS: mm [INCHES]		TOLERANCES UNLESS OTHERWISE SPECIFIED:		Tyco Electronics Corporation Harrisburg, PA 17105-3608	
0 PLC	$\pm$ -	APVD S.BOLASH 06SEPOS		NAME M.WALMSLEY 06SEPOS	
1 PLC	$\pm$ -	PRODUCT SPEC		APPLICATION SPEC	
2 PLC	$\pm$ -	SIZE		CAGE CODE	
3 PLC	$\pm 0.13$ [.005]	WEIGHT		DRAWING NO	
4 PLC	$\pm$ -	CUSTOMER DRAWING		A1 00779 C=1761720	
ANGLES	$\pm$ -	SCALE		SHEET	
		4:1		1 OF 1	
		REV		D	