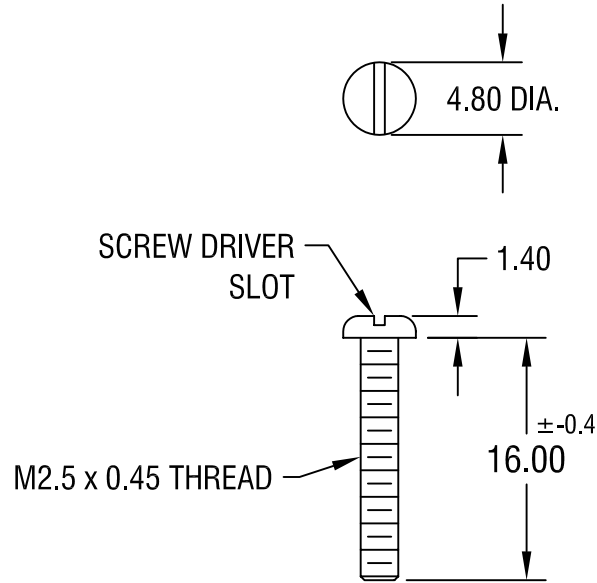


THIS DOCUMENT IS THE PROPERTY OF
KEYSTONE ELECTRONICS CORP. AND
SHALL NOT BE REPRODUCED, DISTRIBUTED
OR USED AS A BASIS FOR MANUFACTURE
WITHOUT PRIOR WRITTEN PERMISSION
FROM KEYSTONE ELECTRONICS CORP.



NOTE:

1. ALL DIMENSIONS ARE IN MILLIMETERS

| | | | |
|-----------------------------------|------------------------------|---------------------|------------------|
| KEYSTONE ELECTRONICS CORP. | | | |
| ASTORIA, N.Y. 11105-2017 | | | |
| PART NAME | | M2.5 PAN HEAD SCREW | |
| MATERIAL | | STEEL | |
| FINISH | ZINC PLATE CLEAR CHROMATE | DRN BY BOONE | DATE 10.16.06 |
| | | APP'D LN | SCALE 2X |
| TOLERANCES | INCH [MM] | CODE | DWG NO. |
| DECIMAL | ± [± 0.25] | C/M | 29306 |
| ANGULAR | ± 1° | | |
| UNLESS OTHERWISE SPECIFIED | | | |

| | | |
|------|-------------|------|
| DATE | DESCRIPTION | REV. |
| | | |