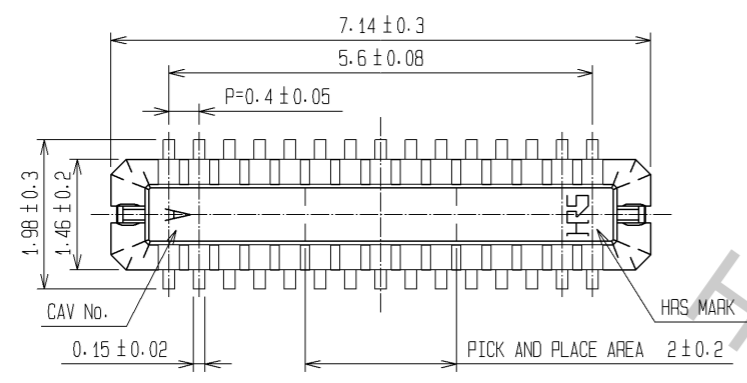
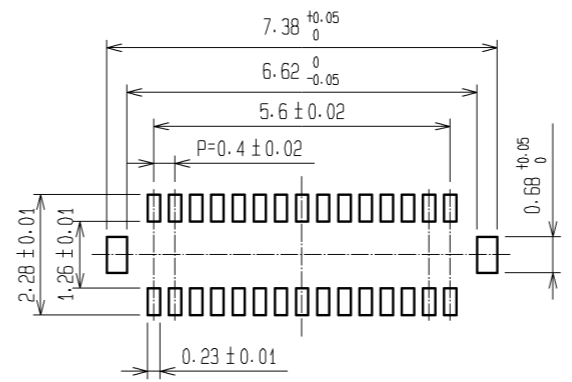


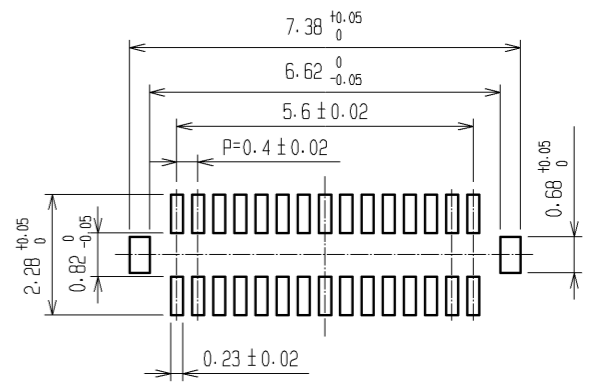
May.1.2017 Copyright 2017 HIROSE ELECTRIC CO., LTD. All Rights Reserved.



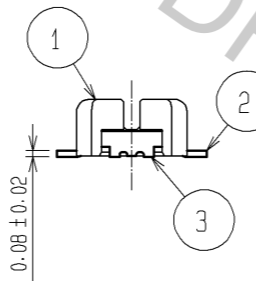
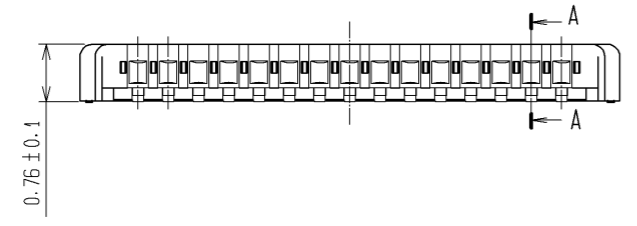
RECOMMENDED METAL MASK
OPENING PATTERN



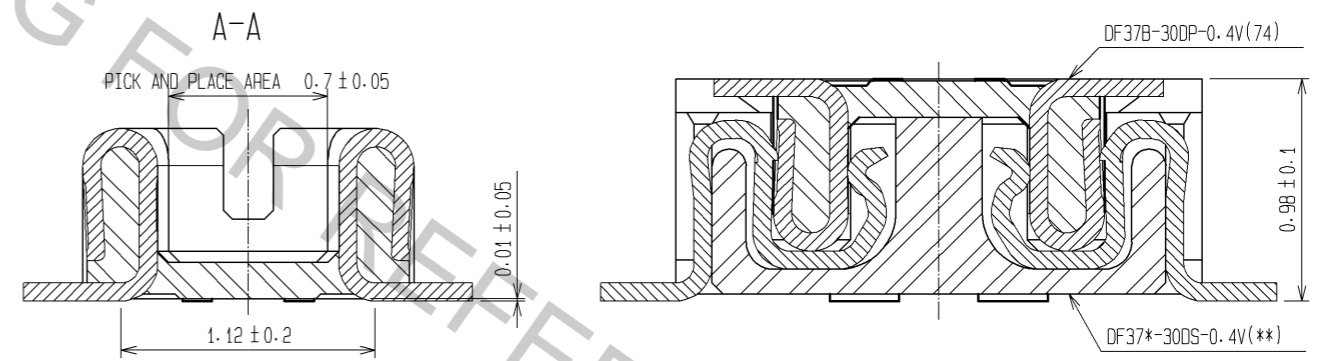
RECOMMENDED PATTERN



RECOMMENDED SOLDER PASTE THICKNESS: 120µm



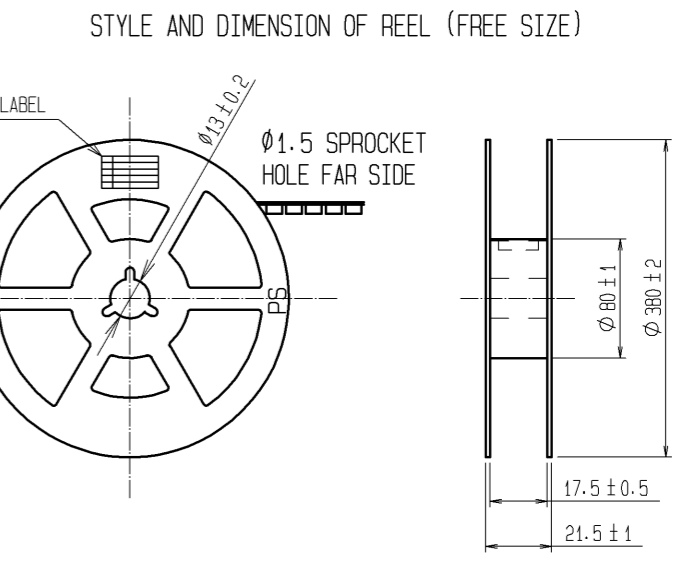
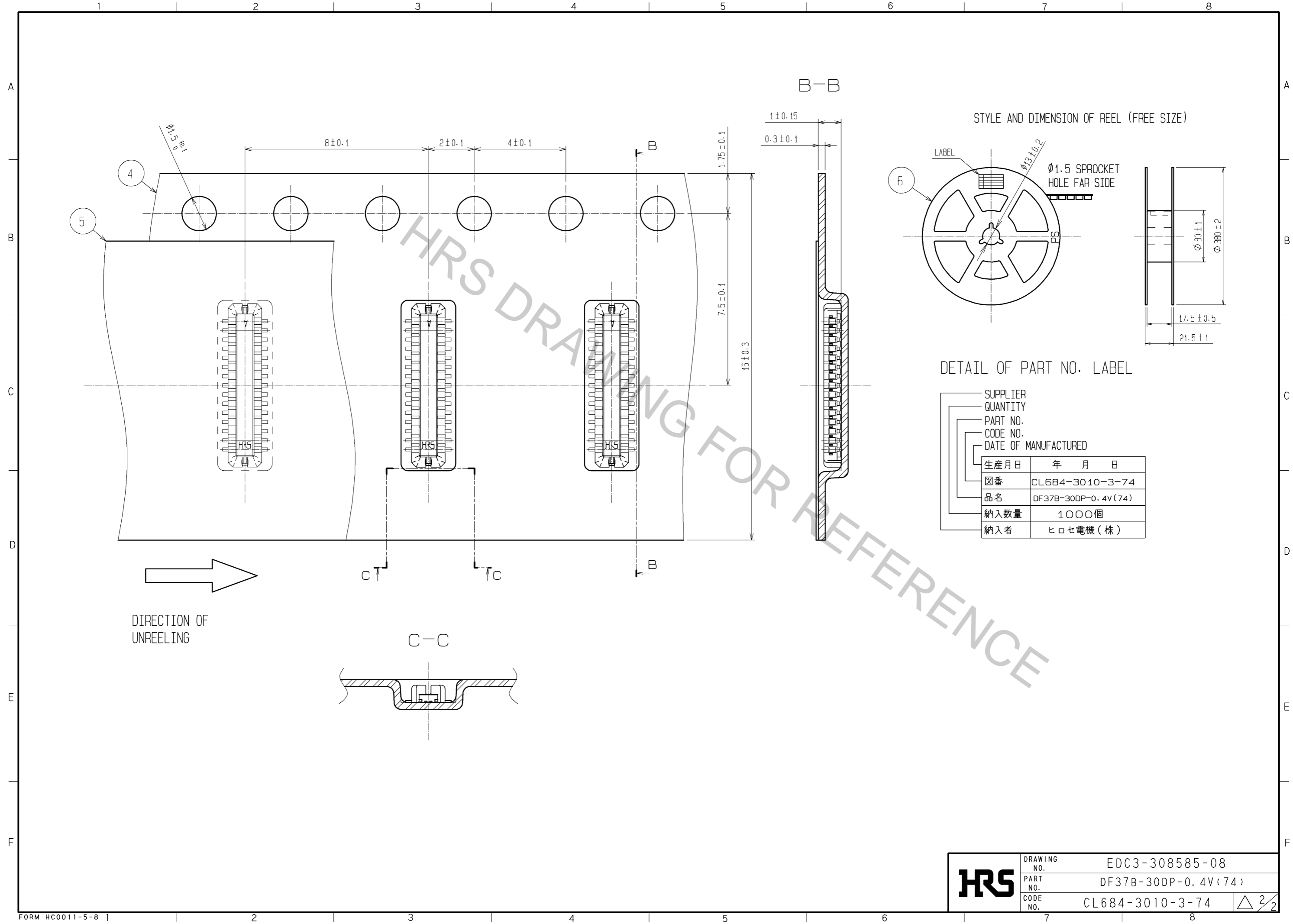
ENGAGEMENT FIGURE



- NOTE 1. ALL LEADS CO-PLANARITY SHALL BE 0.1 MAX.
 2. PER REEL : 1000 CONNECTORS.
 3. AT THE BEGINNING OF THE REEL, 100 mm AT MIN SHALL BE EMPTY POCKETS.
 AT THE END OF THE REEL, 160 mm AT MIN SHALL BE EMPTY.
 4. CONTACT PLATING SPECIFICATIONS.
 CONTACT AREA : GOLD 0.1µm MIN.
 SMT LEAD : GOLD 0.05µm MIN.
 UNDERPLATING : NICKEL 1µm MIN.
 (SURFACE : SEALING)
 5. METAL HOLD DOWN PLATING SPECIFICATIONS.
 MOUNTING AREA: GOLD 0.05µm MIN.
 UNDERPLATING : NICKEL 1µm MIN.
 6. PEEL FORCE OF COVER TAPE REFERS TO JIS C 0806.

3	PHOSPHOR BRONZE	5	6	PS	PLASTIC REEL (BLACK)			
2	PHOSPHOR BRONZE	4	5	POLYESTER	CLEAR(COVER TAPE)			
1	LCP	UL94V-0, BLACK	4	PS	CLEAR(EMBOSSED CARRIER TAPE)			
NO.	MATERIAL	FINISH, REMARKS	NO.	MATERIAL	FINISH, REMARKS			
UNITS	mm	SCALE	FREE	COUNT	DESCRIPTION OF REVISIONS	DESIGNED	CHECKED	DATE
HRS		HIROSE ELECTRIC CO., LTD.		APPROVED : KH. IKEDA	09.02.05	DRAWING NO. EDC3-308585-08		
				CHECED : TS. MIYAZAKI	09.02.05	PART NO. DF37B-30DP-0.4V(74)		
				DESIGNED : RT. SHIMIZU	09.02.04	CODE NO. CL684-3010-3-74		1/2
				DRAWN : AK. AOYAGI	09.02.04			

May.1.2017 Copyright 2017 HIROSE ELECTRIC CO., LTD. All Rights Reserved.



DETAIL OF PART NO. LABEL

SUPPLIER
QUANTITY
PART NO.
CODE NO.
DATE OF MANUFACTURED

生産月日	年 月 日
図番	CL684-3010-3-74
品名	DF37B-30DP-0.4V(74)
納入数量	1000個
納入者	ヒロセ電機(株)

HRS	DRAWING NO.	EDC3-308585-08
	PART NO.	DF37B-30DP-0.4V(74)
	CODE NO.	CL684-3010-3-74
		\triangle 2/2