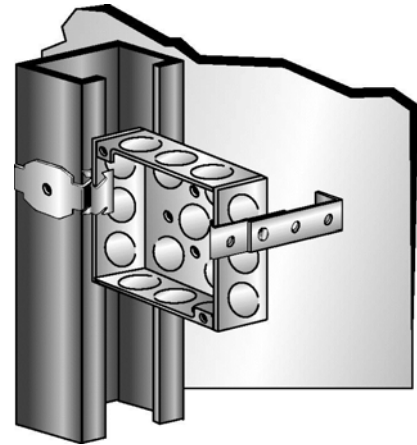
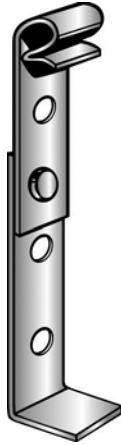


Part Number:

Product Description:



### Material Specifications

Type:

Finish:

Color:

### Function Specifications

#### Compatible Wires and Cables

AC/MC CABLE (OD):

Drop Wire:

Plain Rod (in):

#### Threaded Rods and Bolts

Tapped Holes:

Clearance Holes (in):

Threaded Rod Size (in):

#### Compatible Conduit

EMT Size (in):

Rigid/IMC (in):

#### Compatible Flanges and Studs

Flange Size (in):

Metal Stud Size (ins):

#### Static Load Rating

Vertical (lbs):

Horizontal (lbs):

#### Other

### Codes and Regulatory

Regulatory Certifications:

Country of Origin:

### Packaging

General Packaging:

Box Size:

Pieces per Package:

Other Box Features:

### Document Information

Created By:

Checked By:

Approved By:

Customer Specification #:

Revision Level:

ECN #:

Date: