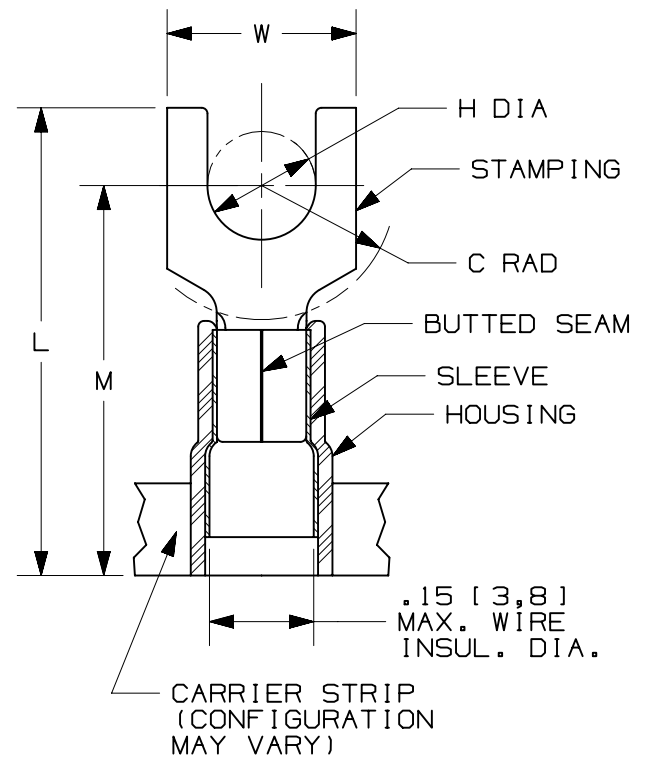


THIS COPY IS PROVIDED ON A RESTRICTED BASIS AND IS NOT TO BE USED IN ANY WAY DETRIMENTAL TO THE INTERESTS OF PANDUIT CORP.

PANDUIT PART #	STUD SIZE		DIMENSIONS in. [mm]					CA9 SERIES CRIMP DIE	CA-800(EZ) SERIES CRIMP DIE
	ENGLISH	METRIC	L ± .03 [0,8]	W ± .01 [0,3]	C ± .02 [0,5]	M ± .03 [0,8]	H ± .01 [0,3]		
PMN1-3F-3K	--	M3	.79 [19,9]	.23 [5,9]	.20 [5,1]	.65 [16,5]	.13 [3,3]	CD9-1A	CD-800-1
PN18-6FN-3K	#6	M3,5	.78 [19,8]	.25 [6,4]	.20 [5,1]	.64 [16,3]	.15 [3,8]		
PN18-6F-3K	#6	M3,5	.78 [19,8]	.30 [7,6]	.20 [5,1]	.64 [16,3]	.15 [3,8]		
PN18-8F-3K	#8	M4	.84 [21,3]	.32 [8,1]	.23 [5,8]	.68 [17,3]	.17 [4,3]		
PN18-10F-3K	#10	--	.86 [21,8]	.35 [8,9]	.25 [6,4]	.70 [17,8]	.20 [5,1]		
PN18-10FN-3K	#10	--	.86 [21,8]	.31 [7,9]	.25 [6,4]	.70 [17,8]	.20 [5,1]		
PMN1-5F-3K	--	M5	.86 [21,8]	.35 [8,9]	.25 [6,4]	.70 [17,8]	.20 [5,1]		
PN18-14F-3K	1/4"	M6	1.03 [26,2]	.44 [11,2]	.33 [8,4]	.78 [19,8]	.27 [6,9]		

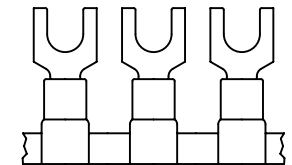
PRESS/APPLICATOR COMPATIBILITY CHART

PRESS	CP-871	CP-861
APPLICATOR	CA9 CA-800EZ	CA-800



NOTES:

- cULus LISTED FOR:
 - A. #22-18 AWG [0,5-1,0 mm²] SOLID OR STRANDED COPPER WIRE
 - B. 221°F [105°C] MAX. OPERATING TEMPERATURE
 - C. 600 V. MAX. VOLTAGE RATING
- SEE www.panduit.com FOR PACKAGE QUANTITIES
- MATERIAL:
 - A. STAMPING: .03" [0,8] THK COPPER, TIN PLATED
 - B. HOUSING: NYLON, RED
 - C. SLEEVE: BRASS, TIN PLATED
- DIMENSIONS IN BRACKETS ARE METRIC EQUIVALENT
- WIRE STRIP LENGTH: 7/32 ^{+1/32} [5,6^{+0,8}]



TITLE		FORK TERMINALS, 3 PC. NYLON INSULATED, #22-18, CONTINUOUS REEL			CUSTOMER DRAWING	
ITEM REVISION NAME		N41096BA/07			PANDUIT	
DATASET FILE NAME		N41096BA_DC/07A				
UNLESS OTHERWISE SPECIFIED, DIMENSIONAL TOLERANCES ARE: IN [mm]		.xxx ± ANGLES ±			MATERIAL: SEE NOTES	
DRAWING NUMBER: A41096		THIRD ANGLE PROJECTION			DRAWING NUMBER: A41096	
DRAWN BY	DATE	CHK	SCALE	SHT 1 OF 1		
JMV	-	-	N.T.S.	A		

REV	DATE	BY	CHK	APR	DESCRIPTION	ECN
07	06/14	MBY	JHNU	RGB	REVISED NOTES, MOVED TOOLS TO TABLE, REVISED CERTIFICATION	N41096BA-A41096
06	09.11.12	JBN	LCA	VMB	ADDED METRIC EQUIVALENT. REVISED NOTES. UPDATED DRAWING TO CURRENT STANDARDS.	A41096

D110100DA/15