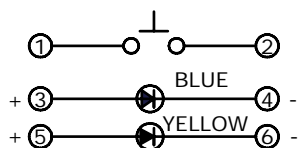
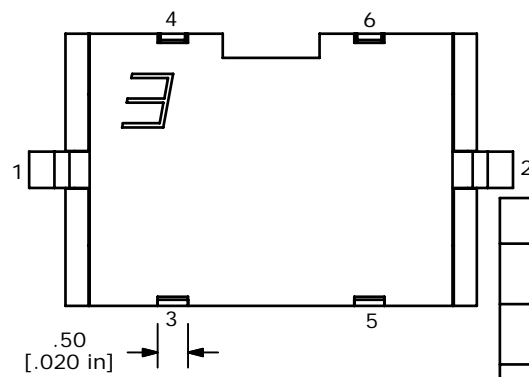
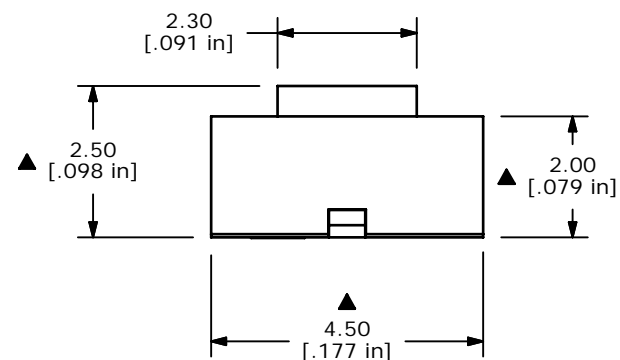
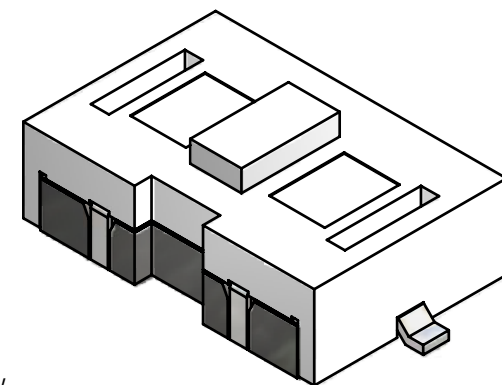
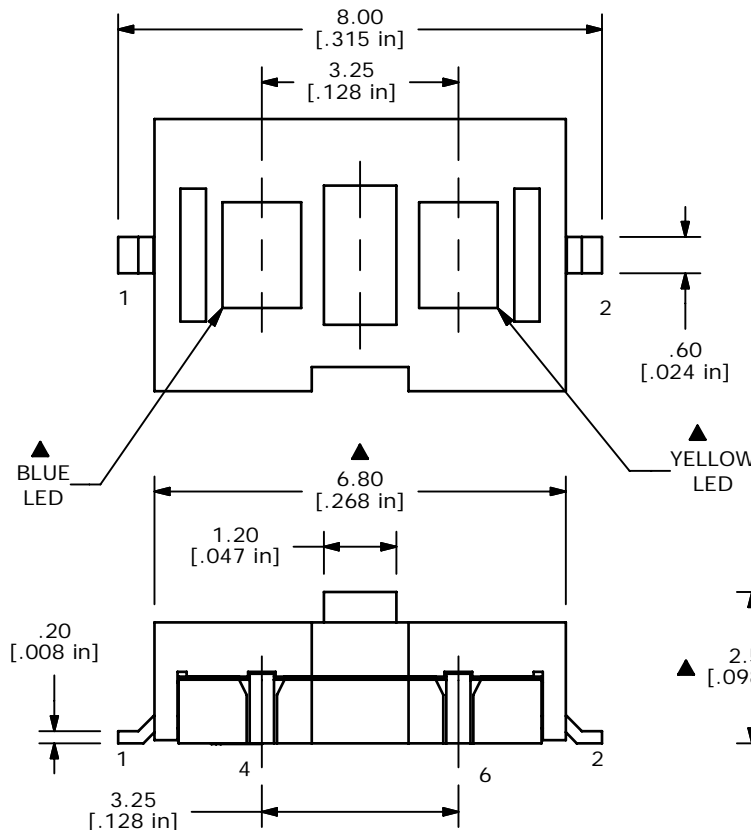


PC MOUNTING



CIRCUIT



LED Specifications	Units	BLUE	YELLOW
Forward Current	mA	20	20
Forward Voltage	V	2.8 MIN 3.3 MAX	2.0 TYP 2.5MAX
Luminous Intensity@20mA	mcd	80 TYP	160 TYP

NOTES:

1. ALL DIMENSIONS IN MM [INCH]
2. GENERAL TOLERANCE: X.X=±0.4
X.XX=±0.25
3. RATING: 12VDC, 50mA MAX.
4. CONTACT RESISTANCE: 500mΩ MAX.
5. INSULATION RESISTANCE: 100VDC, 100MΩ MIN.
6. TRAVEL: 0.25 mm
- ▲7. OPERATING FORCE: 160 +75/-30gf
8. OPERATING TEMPERATURE: -20°C TO 70°C
9. OPERATING LIFE: 30,000 CYCLES.
10. PACKAGING: TAPE & REEL, 3000 PIECES PER REEL
11. ▲ DENOTES CRITICAL PARAMETER
12. 2002/95/EC (ROHS) COMPLIANT



TITLE TL3200AF160BYQ				
SCALE 8:1	DATE 5/14/2012	DR rc	DWG B200116	REV A

A	20604	RELEASED FOR PRODUCTION	5/14/12	rc
REV	PCR NO	DESCRIPTION	DATE	BY

THE INFORMATION CONTAINED IN THIS DOCUMENT IS PROPRIETARY TO E-SWITCH AND IS NOT TO BE COPIED OR TRANSFERRED