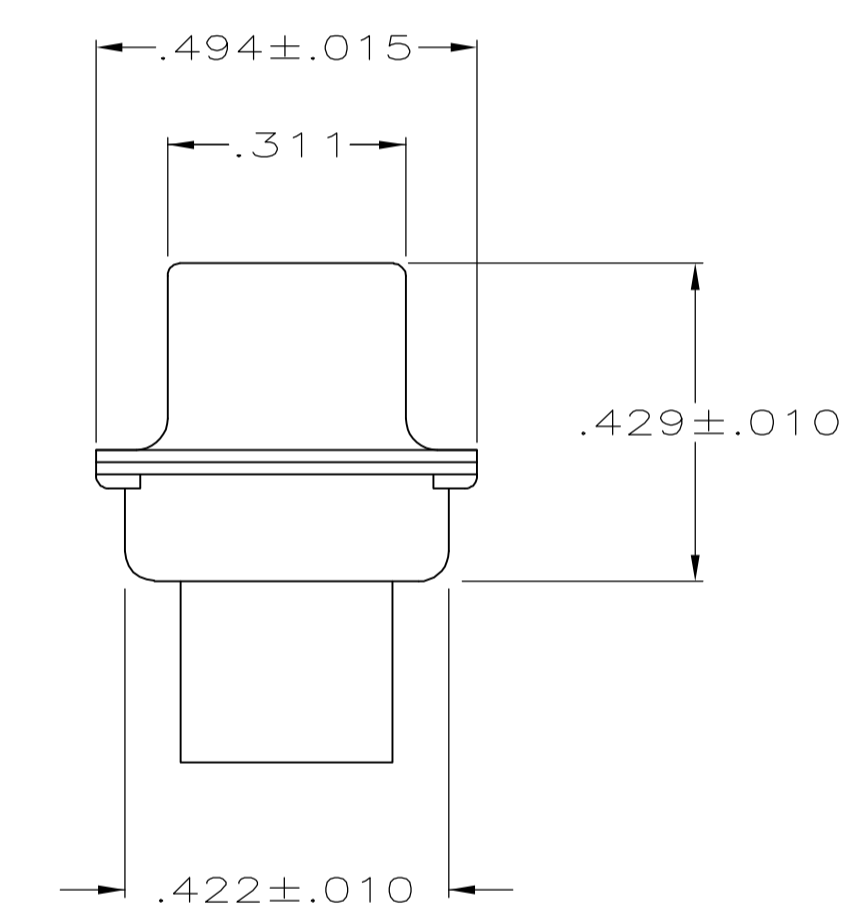
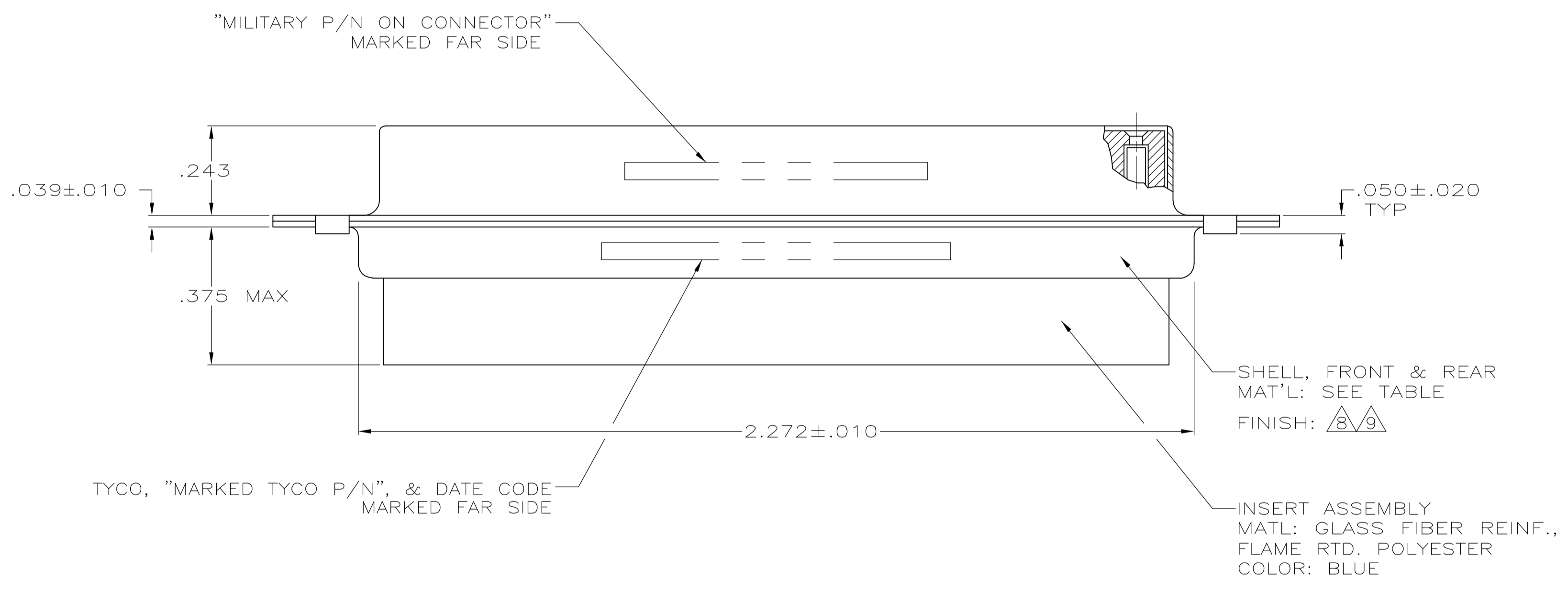
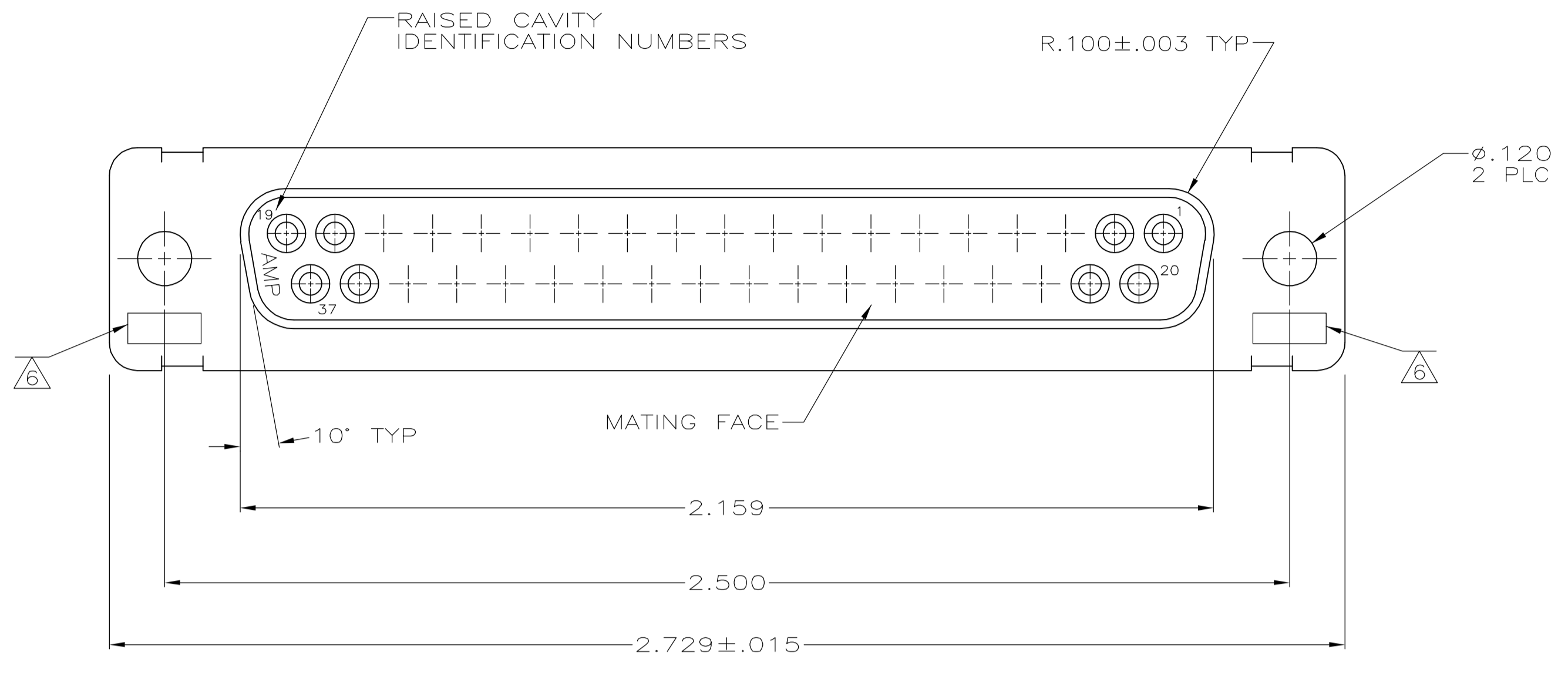


| LOC | | DIST | | REVISIONS | | | |
|-----|----|------|-----------------------|-----------|----|------|--|
| DF | DO | REV | DESCRIPTION | DATE | BY | APPV | |
| P | | 1 | REV PER ECO-05-002792 | 05-05 | AA | DM | |

- THIS RCPT. IS DESIGNED TO CONFORM TO THE LATEST ISSUE OF MIL-C-24308.
 - MAX WIRE INSUL TO BE USED WITH THIS RCPT IS .068 DIA.
 - STAINLESS STEEL RETENTION CLIPS ARE INCLUDED IN INSERTS.
 - THIS RCPT. WILL ACCEPT SIZE 20 SOCKET CONTACT M39029/63-368 OR ANY TYCO HD-20 SOCKET CONTACT. CONTACTS ORDERED SEPARATELY.
- ⑤ TYCO PART NO. MARKED ON CONNECTOR REPRESENTS KIT NUMBER WITH CONTACTS.
 - ⑥ UL/CSA DESIGNATION STAMPED IN THIS AREA, OPTIONAL.
 - ⑦ RESTRICTED ITAR DRAWING.
 - ⑧ FINISH: CADMIUM PER QQ-P-416.
 - ⑨ FINISH: BRIGHT TIN PER ASTM-B-545 .000400-.000550 THK OVER COPPER PER AMS2418 .000050 MIN THK.



| | | | | | | |
|-------------------------|---------|--------------|----------------------|--------------------------|----------------------|----------|
| - | - | ⑨ | STEEL PER ASTM-A-109 | - | 205167-5 | 205167-5 |
| - | ⑦ | - | - | - | - | 205167-4 |
| SUPSD BY 205291-1 | - | ⑧ | STEEL PER ASTM-A-109 | - | 205167-3 | 205167-3 |
| SUPSD BY 206803-2 | - | - | BRASS | M24308/6-4F | 205561-4 | 205167-2 |
| M24308/2-284F | ⑤ | ⑧ | STEEL PER ASTM-A-109 | M24308/2-4F | 205561-2 | 205167-1 |
| MILITARY P/N ON PACKAGE | REMARKS | SHELL FINISH | SHELL MAT'L | MARKED MILITARY PART NO. | MARKED TYCO PART NO. | PART NO. |

THIS DRAWING IS A CONTROLLED DOCUMENT.

| | | | |
|-----------------------|--|--------------------------|---|
| DIMENSIONS: INCHES | TOLERANCES UNLESS OTHERWISE SPECIFIED: | DIN C.C.THOMAS 31-JAN-03 | tyco Electronics Tyco Electronics Corporation Harrisburg, Pa 17105-3608 |
| 0 PLC ± - | 1 PLC ± - | CHK LARRY OH 31-JAN-03 | NAME RECEPTACLE ASSY AMPLIMITE, SIZE 4 SERIES 109, HD-20 |
| 2 PLC ± - | 3 PLC ± .005 | APPV LARRY OH 31-JAN-03 | PRODUCT SPEC |
| 4 PLC ± - | ANGLES ± 0°30' | APPLICATION SPEC | SIZE CASE CODE DRAWING NO RESTRICTED TO |
| MATERIAL SEE CALLOUTS | FINISH SEE CALLOUTS | WEIGHT | A1 00779 C=205167 |
| CUSTOMER DRAWING | | SCALE 4:1 | SHEET 1 OF 1 REV P |