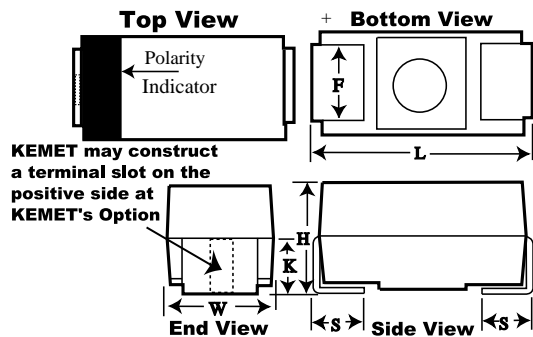


B45194E, Tantalum, MnO2 Tantalum, 150 uF, 10%, 10 V, SMD, Molded, Low Profile, 7343, Height Max = 2mm



Dimensions

Footprint	7343
L	7.3mm +/-0.3mm
W	4.3mm +/-0.3mm
H	2mm MAX
S	1.3mm +/-0.3mm
F	2.4mm +/-0.1mm
K	1.7mm TYP

Packaging Specifications

Packaging:	T&R, 178mm
Packaging Quantity:	1000

General Information

Supplier:	KEMET
Series:	B45194E
Dielectric:	MnO2 Tantalum
Style:	SMD Chip
Description:	SMD, Molded, Low Profile
Features:	Low Profile
RoHS:	Yes
Termination:	Tin
Miscellaneous:	Closest Kemet Original Series Equivalent: T491V157K010AT
Notes:	Obsolete. Old Part Number [Obsolete] Was B45194E2157K409

Specifications

Capacitance:	150 uF
Capacitance Tolerance:	10%
Voltage DC:	10 VDC (85C), 6.7 VDC (125C)
Temperature Range:	-55/+125C
Rated Temperature:	85C
Dissipation Factor:	8%
Failure Rate:	N/A
Leakage Current:	15 uA

Statements of suitability for certain applications are based on our knowledge of typical operating conditions for such applications, but are not intended to constitute - and we specifically disclaim - any warranty concerning suitability for a specific customer application or use. This Information is intended for use only by customers who have the requisite experience and capability to determine the correct products for their application. Any technical advice inferred from this Information or otherwise provided by us with reference to the use of our products is given gratis, and we assume no obligation or liability for the advice given or results obtained.