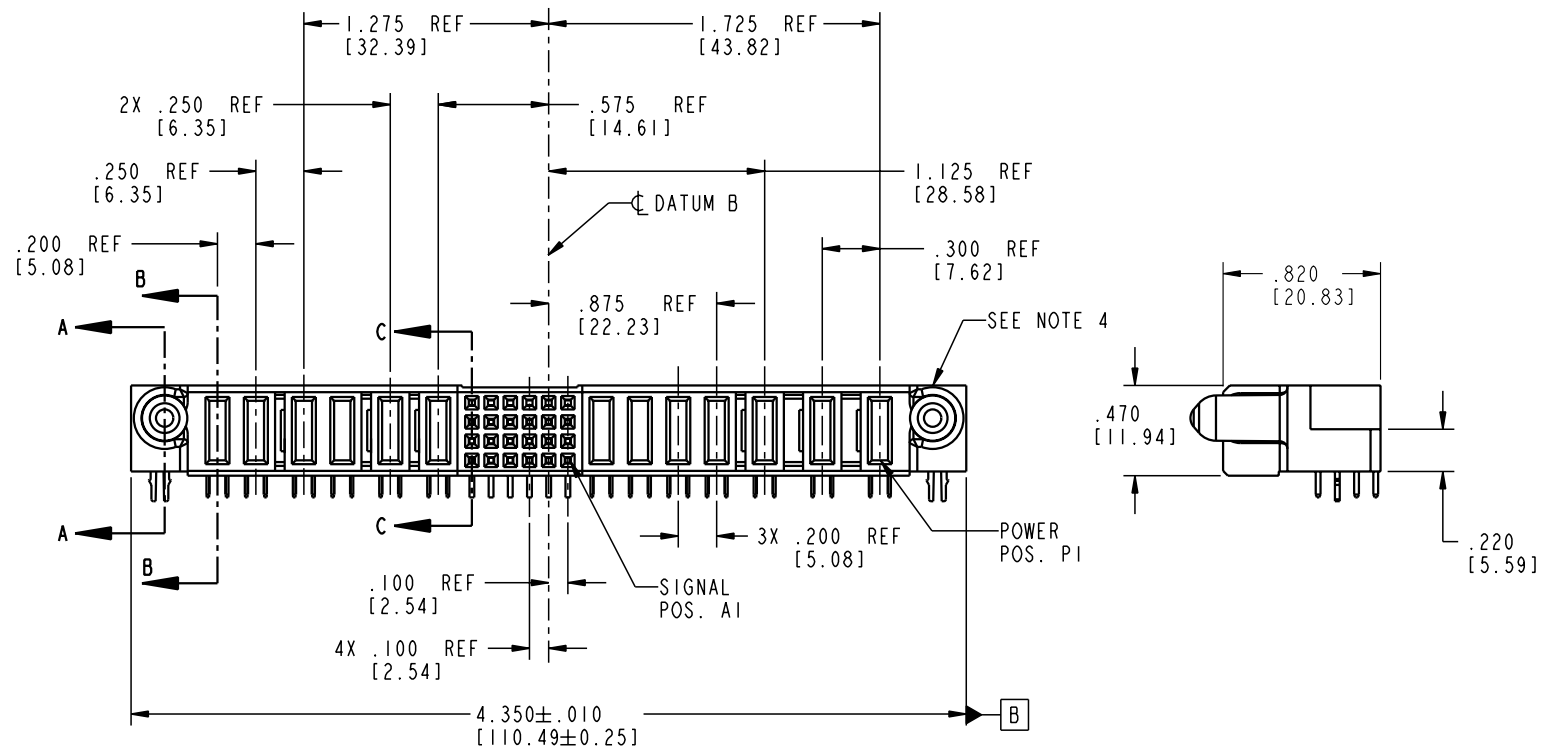


Tous droits strictement réservés. Reproduction ou communication o des liers interdite sous quelque forme que ce soit sans autorisation écrite du propriétaire. Propriete de c FCI. Droits de reproduction FCI.

All rights strictly reserved. Reproduction or issue to third parties in any form whenever is not permitted without written authority from the proprietor. Property of FCI. Copyright FCI.

PRODUCT NO.	ROWS	SIGNAL																												
		E2	P13	P12	P11	P10	P9	P8	6	5	4	3	2	1	P7	P6	P5	P4	P3	P2	P1	E1								
51915-018	D	HA	PC	PC	PC	PA	PA	PA	H	H	H	H	H	H	H	H	H	H	H	H	H	H	PA	PA	PC	PC	PA	PC	PC	HA
	C								G	G	G	G	G	G	G	G	G	G	G	G	G	G								
	B									F	F	F	F	F	F	F	F	F	F	F	F	F								
	A								E	E	E	E	E	E	E	E	E	E	E	E	E									



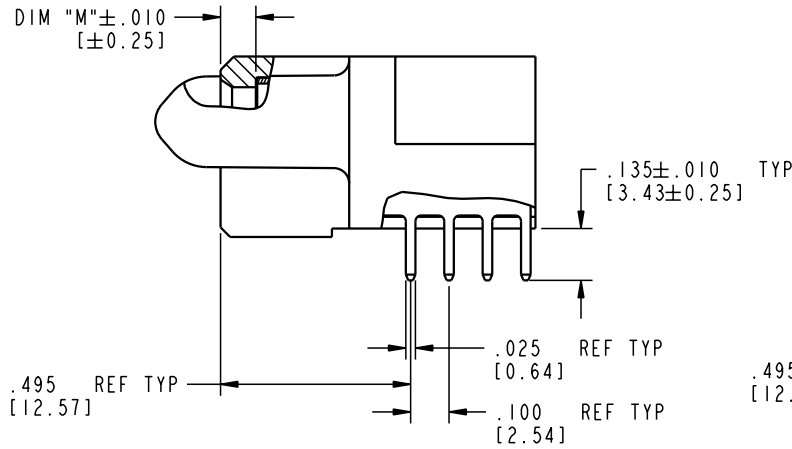
CODE	DIM "M" MATING LENGTH	CONTACT TYPE
E	N/A [N/A]	SIGNAL
F	N/A [N/A]	SIGNAL
G	N/A [N/A]	SIGNAL
H	N/A [N/A]	SIGNAL
PA	.042 [1.07]	POWER
PC	.092 [2.34]	POWER
HA	N/A [N/A]	HOLD-DOWN

mat'l code		SEE NOTE 2		tolerances unless otherwise specified		CUSTOMER		 www.fciconnect.com	
ltr	ecm no.	dr	date	linear	.XX±.01/0.X±0.3	COPY		title	
A	V21837	CGD	12/04/02	angles	.XXX±.005/0.XX±0.13	projection		3ACP + 4P + 24S + 6P	
					.XXX±.0020/0.XXX±0.051			R/A SOLDER RECEPTACLE	
				dr	C. DAILY 12/04/02	INCH/MM		product family	
				engr	M. MOSTOLLER 12/04/02	scale		PwrBlade	
				chr	M. MOSTOLLER 12/04/02	1:1		code	
				appd	M. MOSTOLLER 12/04/02			size	
sheet index	revision sheet	A	A	A	A			A 51915-018	
		1	2	3	4			sheet 1 of 4	

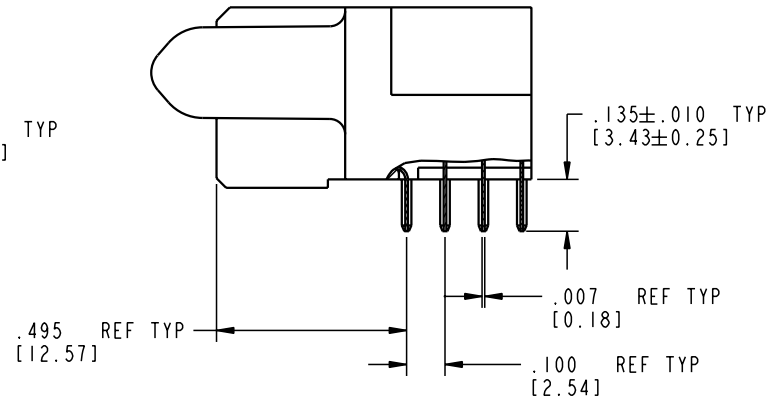
Tous droits strictement réservés. Reproduction ou communication o des liers interdite sous quelque forme que ce soit sans autorisation écrite du propriétaire. Propriete de c FCI. Droits de reproduction FCI.

All rights strictly reserved. Reproduction or issue to third parties in any form, whatever is not permitted without written authority from the proprietor. Property of FCI. Copyright FCI.

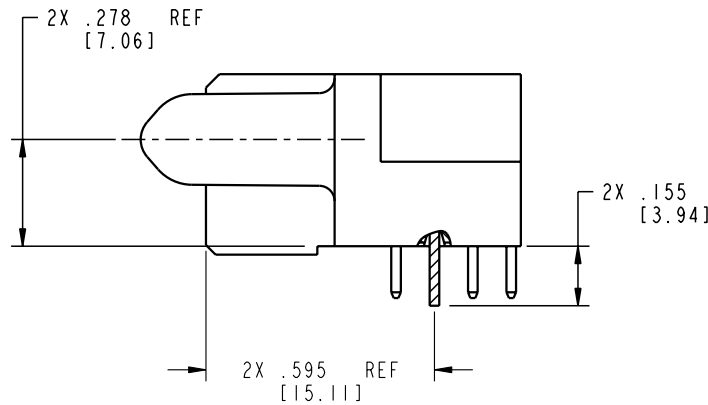
PRODUCT NUMBER
51915-018




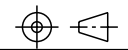
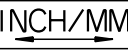
PARTIAL SECTION B-B
SCALE 2:1



PARTIAL SECTION C-C
SCALE 2:1



PARTIAL SECTION A-A
SCALE 2:1

mat'l code				SEE NOTE 2		tolerances unless otherwise specified		CUSTOMER		 www.fciconnect.com	
ltr	ecn no.	dr	date	linear	.XX ± .01/0.X ± 0.3		COPY		 INCH/MM	title	
A					.XXX ± .005/0.XXX ± 0.13		projection			3ACP + 4P + 24S + 6P R/A SOLDER RECEPTACLE	
					.XXXX ± .0020/0.XXX ± 0.051		 scale			product family	
				angles	0° ± 2°		C. DAILY 12/04/02		PwrBlade		
				dr			M. MOSTOLLER 12/04/02		code		
				enr			M. MOSTOLLER 12/04/02		213		
				chr			M. MOSTOLLER 12/04/02		sheet		
				appd			M. MOSTOLLER 12/04/02		2		
sheet index		revision sheet								cage code	
										22526	

Pro/E

cage code 22526

PDM: Rev:A

STATUS: Released

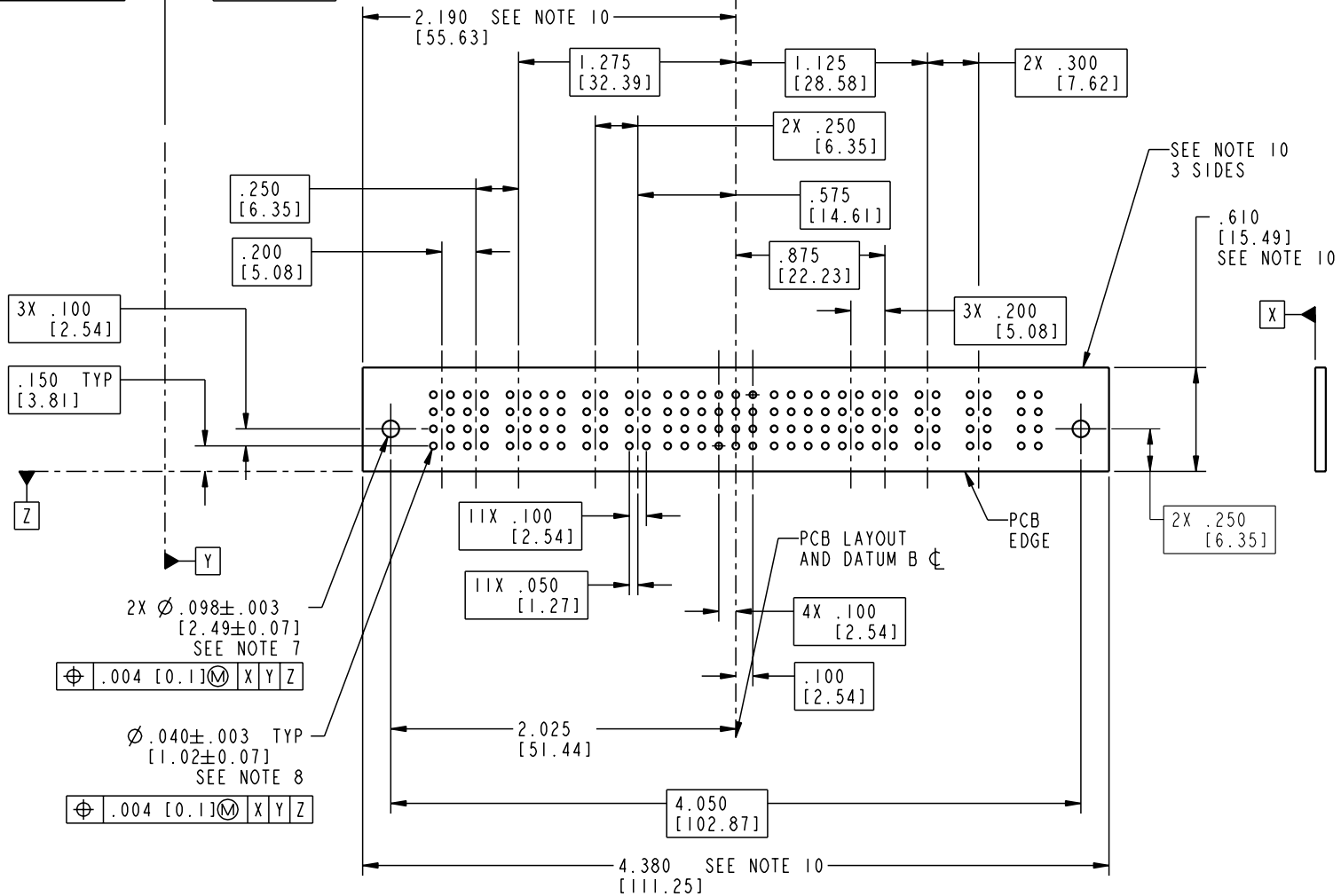
Printed: Dec 20, 2010

Tous droits strictement réservés. Reproduction ou communication o des tiers interdite sous quelque forme que ce soit sans autorisation écrite du propriétaire. Propriété de c F.C.I. Droits de reproduction F.C.I.

All rights strictly reserved. Reproduction or issue to third parties in any form whatever is not permitted without written authority from the proprietor. Property of F.C.I. Copyright F.C.I.

PRODUCT NUMBER
51915-018

DIM XXX
SEE NOTE 9



mat'l code				SEE NOTE 2		tolerances unless otherwise specified		CUSTOMER		 www.fciconnect.com	
ltr	ecn no.	dr	date	linear	.XX±.01/0.X±0.3	COPY		projection		title	
A				angles	.XXX±.005/0.XX±0.13	A				3ACP + 4P + 24S + 6P R/A SOLDER RECEPTACLE	
				dr	.XXX±.0020/0.XXX±0.051	C. DAILY 12/04/02		INCH/MM		product family	
				enrg	0° ± 2°	M. MOSTOLLER 12/04/02		scale		PwrBlade	
				chr		M. MOSTOLLER 12/04/02		1:1		code	
				appd		M. MOSTOLLER 12/04/02		A		213	
sheet index		revision sheet								51915-018	
										sheet 3	

cage code 22526

Pro/E

Tous droits strictement reserves. Reproduction ou communication a des tiers interdite sous quelque forme que ce soit sans autorisation écrite du propriétaire. Propriete de c FCI. Droits de reproduction FCI.



All rights strictly reserved. Reproduction or issue to third parties in any form whatever is not permitted without written authority from the proprietor. Property of FCI. Copyright FCI.

PRODUCT NUMBER
51915-018

NOTES:

1. DIMENSIONS AND TOLERANCES ARE IN ACCORDANCE WITH ASME Y14.5M, 1994 UNLESS OTHERWISE SPECIFIED.

CONNECTOR NOTES:

- 2. HOUSING MATERIAL: UL 94 V-0 GLASS FILLED
HIGH-TEMP THERMOPLASTIC
POWER CONTACT MATERIAL: COPPER ALLOY
SIGNAL PIN MATERIAL: COPPER ALLOY
- 3. PLATING:
SIGNAL PINS: 30u"/0.76um Au OVER 50u"/1.27um Ni
POWER CONTACTS: 50u"/1.27um Ni UNDER ALL
WITH 30u"/0.76um Au ON CONTACT AREA
AND SnPb ON PCB AND PLUG INTERFACE
- 4. MANUFACTURER'S NAME, P/N, AND DATE CODE TO APPEAR ON THIS SURFACE.
- 5. PRODUCT SPECIFICATION GS-12-149.
APPLICATION SPECIFICATION BUS-20-067.

PCB NOTES:

- 6. ALL HOLE DIAMETERS ARE FINISHED HOLE SIZE.
- 7. MOUNTING HOLES, WHERE APPLICABLE, ARE UNPLATED.
- 8. $\varnothing .0453 \pm .0010$ [1.151 \pm 0.025] DRILLED HOLES PLATED WITH .0003 [0.008] MIN SnPb OVER .001 [0.03] TO .003 [0.08] Cu PLATING TO ACHIEVE $\varnothing .040 \pm .003$ [1.02 \pm .07] HOLE.
- 9. "DIM XXX" TO BE DETERMINED BY THE CUSTOMER.
- 10. CONNECTOR KEEP-OUT ZONE.
- 11. PACKAGE IN TRAYS.

mat'l code		SEE NOTE 2		tolerances unless otherwise specified		CUSTOMER		www.fciconnect.com	
ltr	ecn no.	dr	date	linear	.XX±.01/0.X±0.3	COPY		title	
A				projection	.XXX±.005/0.XX±0.13			3ACP + 4P + 24S + 6P R/A SOLDER RECEPTACLE	
				angles	.XXX±.0020/0.XXX±0.051			product family	
				dr	0° ± 2°	INCH/MM		PwrBlade	
				engr	C. DAILY 12/04/02	scale		code	
				chr	M. MOSTOLLER 12/04/02	1:1		213	
				appd	M. MOSTOLLER 12/04/02			sheet	
sheet index		revision sheet						4	

cage code 22526

Pro/E

PDM: Rev:A

STATUS: Released

Printed: Dec 20, 2010