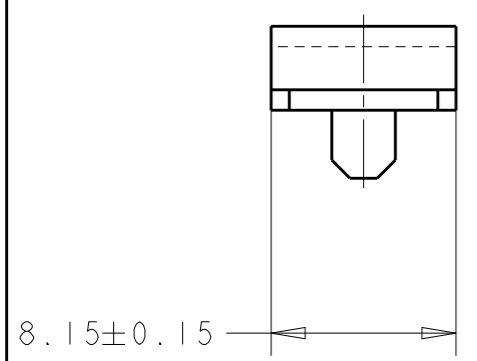
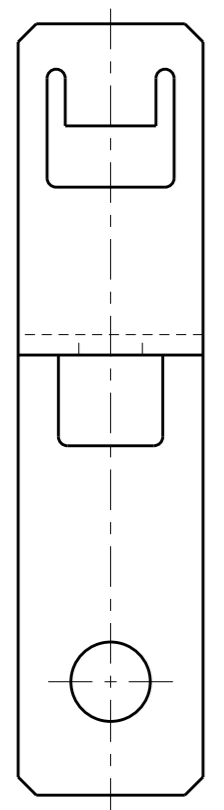
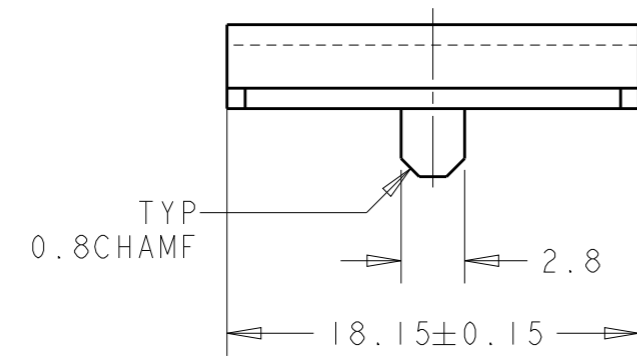
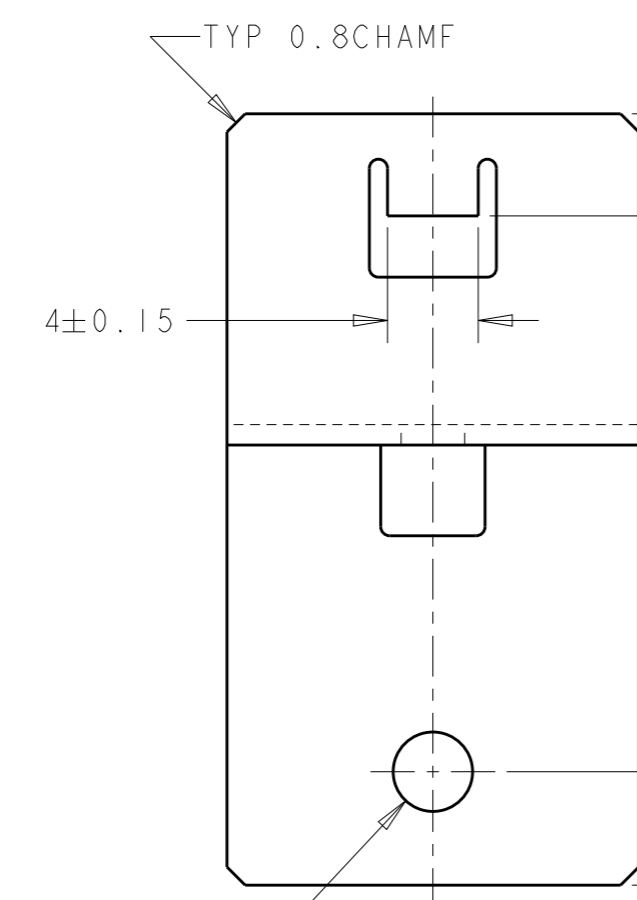


THIS DRAWING IS UNPUBLISHED. RELEASED FOR PUBLICATION 20  
 © COPYRIGHT 20 BY - ALL RIGHTS RESERVED.

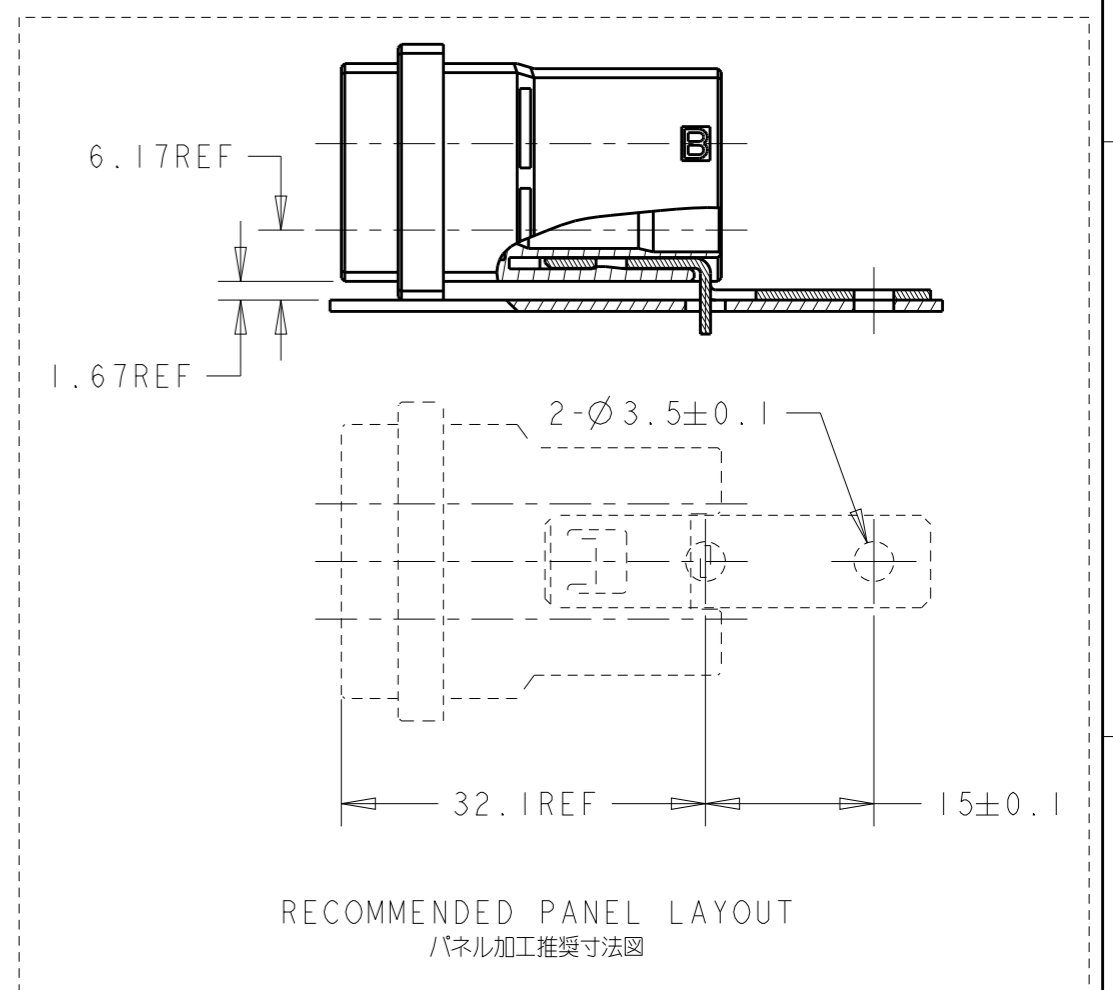
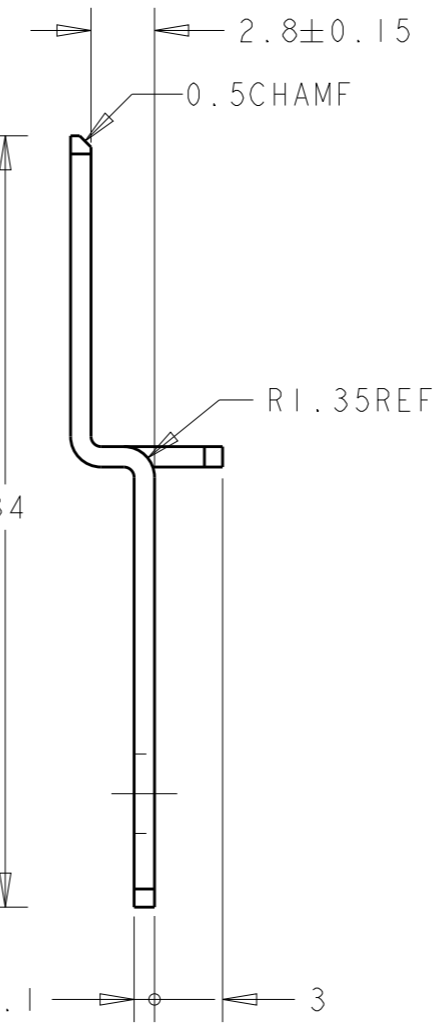
REVISIONS 変更					
P	LTR	DESCRIPTION	ECN	DATE	APVD
	B	REVISED	ECR-15-007169	30OCT2015	K.K E.T



900121-2  
 (A1) 5900121-2  
 SMALL



900121-4  
 (A1) 5900121-4  
 LARGE



LARGE	③	① STEEL	t=0.9	5900121-4	(A1)
SMALL	③	① STEEL	t=0.9	5900121-2	(A1)
LARGE	②	① STEEL	t=0.9	900121-4	
<del>SMALL</del>	<del>②</del>	<del>① STEEL</del>	<del>t=0.9</del>	<del>900121-2</del>	
NAME	FINISH	MATERIAL	PART NO.		

OBSOLETE

- ① MATERIAL : CARBON STEEL, THICKNESS=0.9±0.1mm
- ② FINISH : CHROMATE (Zn PLATE)
- ③ FINISH : AFTER Cu GROUND PLATING 2.5µmMIN OF ALL ASPECTS, Ni PLATE 2.5µmMIN
- ① 材料 : スチール 板厚=0.9±0.1mm
- ② 仕上 : クロメート(亜鉛めっき)処理
- ③ 仕上 : 全面銅下地めっき2.5µm以上の上に, Niめっき2.5µm以上を施す

THIS DRAWING IS A CONTROLLED DOCUMENT.

DWN M. MAEBASHI 05DEC2005	TE Connectivity	
CHK T. SAKAMOTO 06JAN2006		
APVD D. MITSUGI 10JAN2006		
NAME 名称		
DIMENSIONS: 単位: 概 mm	L METAL HOOK FOR DYNAMIC FREE HANGING (D-3)	
TOLERANCES UNLESS OTHERWISE SPECIFIED: 一般公差 ±0.3, ±3°		
0 PLC ±		
1 PLC ±0.5		
2 PLC ±0.13	PRODUCT SPEC 製品規格 108-5349	
3 PLC ±0.013	APPLICATION SPEC 取付適用規格 -	
4 PLC ±0.0001	SIZE A3	
ANGLES ±	CAGE CODE 00779	
MATERIAL 材料	FINISH 仕上	DRAWING NO 番号 G-900121
-	-	RESTRICTED TO -
-	-	SCALE 尺度 3:1
Customer Drawing		SHEET 1 OF 1
		REV B