

24bit Audio CODEC series

# 3W+3W Class AB/D Speaker AMP Stereo Audio CODEC

## BU26156RFS

General Description

BU26156RFS is Low Power Stereo Audio CODECs with built-in various acoustic effects. BU26156RFS has stereo line and monaural mic inputs that can input to 2Vrms, stereo speaker amplifier that can change Class AB / D and stereo Headphone Outputs. BU26156 also has built-in voltage regulator for the stability of CODEC characteristic that is sensitive to the outside noise.

Features

- 24bit Stereo ADC, DAC
- 2Vrms Input available, Stereo Line Input with ALC
- Monoraul MIC Input with ALC
- Switch Class AB/D 3W Stereo Speaker Amplifier
- AM Avoidance Function
- Stereo Headphone Output Amplifier
- Digital signal processing
- High Power Supply Rejection Ratio characteristic

Applications

- Radio cassette recorder
- PC Speaker

Important Characteristic

- Supply Voltage
  - SPLVDD,SPRVDD: 2.7V to 5.5V
  - HVDD1: 2.7V to 3.6V
  - HPVDD: 2.7V to 3.6V
  - IOVDD: 1.65V to 5.5V
- Mic-ADC SNR: 87[dB](Typ.)
- Line-ADC SNR: 93[dB](Typ.)
- DAC-SP SNR: 86[dB](Typ.)
- DAC-LOUT SNR: 95[dB](Typ.)
- Operating Temperature: -20°C to +85°C

Package

HTSSOP-A44R

W(Typ.) x D(Typ.) x H(Max.)  
18.50mm x 9.50mm x 1.00mm



Figure 1. HTSSOP-A44R

Basic Block Diagram

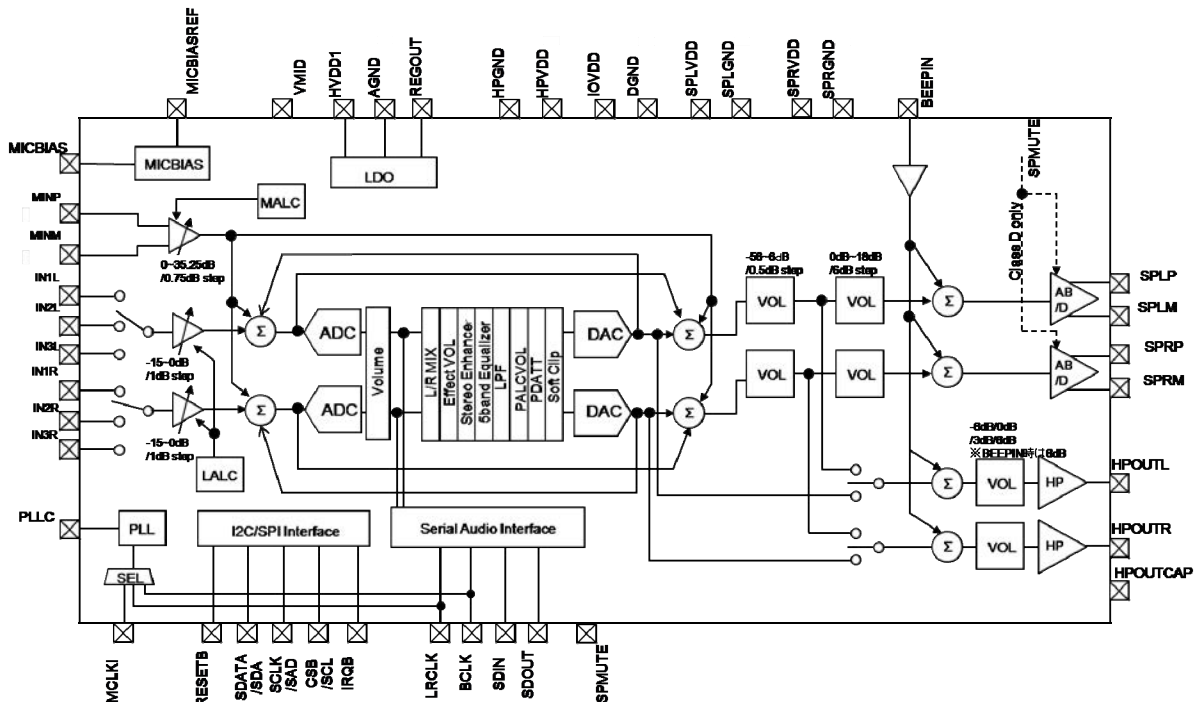


Figure 2.

○Product structure : Silicon monolithic integrated circuit ○This product is not designed protection against radioactive rays

Pin Layout HTSSOP-A44R

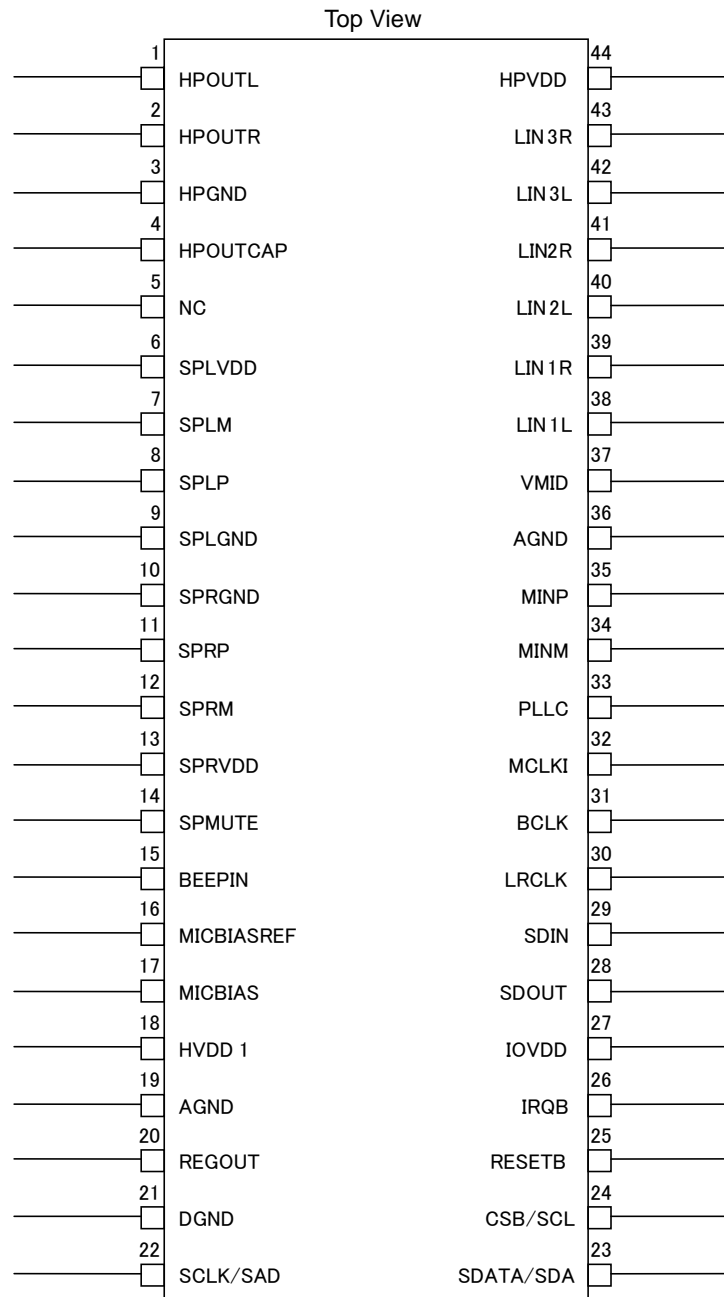


Figure 3.

Pin Description

No	Name	I/O	Power	Function	Reset	No use
25	RESETB	I	IOVDD	Reset pin “L” level : Reset enable. “H” level : Reset disable.	(input)	-
23	SDATA /SDA	IO	IOVDD	3 wire interface: data input output pin It is indicated as SDATA on the description of AC characteristics. 2 wire interface : data input output pin <sup>(Note1)</sup> It is indicated as SDA on the description of AC characteristics.	(input)	-
22	SCLK /SAD	I	IOVDD	3 wire interface : Serial clock input pin It is indicated as SCLK on the description of AC characteristics. 2 wire interface: Slave address pin Future explanation indicates SAD. Choose from the following two kinds. SAD Pin=HGND : "0011010"	(input)	DGND

SAD Pin=IOVDD : "0011011"						
24	CSB /SCL	I	IOVDD	3 wire interface : chip select input pin It is indicated as CSB on the description of AC characteristics. 2 wire interface : Serial clock input pin (Note1) It is indicated as SCL on the description of AC characteristics.	(input)	-
30	LRCLK	IO	IOVDD	SAI LR clock input/output pin	(input)	DGND
31	BCLK	IO	IOVDD	SAI bit clock input/output pin	(input)	DGND
29	SDIN	I	IOVDD	SAI serial data input pin	(input)	DGND
28	SDOUT	O	IOVDD	SAI serial data output pin	DGND	Open
32	MCLKI	I	IOVDD	Master Clock pin	(input)	DGND
26	IRQB	O	IOVDD	Interrupt output Pin	IOVDD	Open
38	LIN1L	I	REGOUT	Line analog input Lch pin 1	(input)	Open, or coupling capacitor connected to AGND near by BU26156
39	LIN1R	I	REGOUT	Line analog input Rch pin 1	(input)	
40	LIN2L	I	REGOUT	Line analog input Lch pin 2	(input)	
41	LIN2R	I	REGOUT	Line analog input Rch pin 2	(input)	
42	LIN3L	I	REGOUT	Line analog input Lch pin 3	(input)	
43	LIN3R	I	REGOUT	Line analog input Rch pin 3	(input)	
35	MINP	I	REGOUT	Analog microphone + input	(input)	
34	MINM	I	REGOUT	Analog microphone - input	(input)	
15	BEEPIN	I	REGOUT	Line input pin. The input signal for this pin can output Headphone output pins or Speaker output pins.	(input)	
16	MICBIASREF	O	HVDD1	External filter pin for microphone bias. A capacitor is connected between MICBIASREF and AGND.	ANGD	Open
1	MICBIAS	O	HVDD1	Microphone bias voltage output pin A capacitor is connected between MICBIASREF and AGND.	AGND	Open
37	VMID	O	REGOUT	Analog reference voltage pin A capacitor is connected between VMID and AGND.	AGND	-
20	REGOUT	O	HVDD1	Regulator output pin A capacitor is connected between REGOUT and HGND1. Please put in the chip close as much as possible.	AGND	-
8	SPLP	O	SPLVDD	speaker Lch output + pin	SPLGND	Open
7	SPLM	O	SPLVDD	speaker Lch output - pin	SPLGND	Open
11	SPRP	O	SPRVDD	speaker Rch output + pin	SPRGND	Open
12	SPRM	O	SPRVDD	speaker Rch output - pin	SPRGND	Open
14	SPMUTE	I	IOVDD	Test control pin "L" level : Release MUTE "H" level : MUTE	DGND	Open
1	HPOUTL	O	HPVDD	Headphone Lch output pin	HPGND	Open
2	HPOUTR	O	HPVDD	Headphone Rch output pin	HPGND	Open
32	LOUTCAP	O	HVDD1	Headphone Output capacitance pin	AGND	Open
33	PLL	O	REGOUT	PLL filter pin The width of the clock frequency to input can be expanded.	AGND	Open
27	IOVDD	P	-	Interface Power Supply pin A capacitor is connected between IOVDD and HGND1.	-	-
6	SPLVDD	P	-	Speaker Lch Power Supply pin It is used on the same voltage as SPRVDD. A capacitor is connected between SPLVDD and SPLGND.	-	-
9	SPLGND	P	-	Speaker Lch ground pin	-	-
13	SPRVDD	P	-	Speaker Rch Power Supply pin It is used on the same voltage as SPLVDD. A capacitor is connected between SPRVDD and SPRGND.	-	-
10	SPRGND	P	-	Speaker Rch ground pin	-	-
18	HVDD1	P	-	High voltage power supply 1 pin A capacitor is connected between HVDD1 and HGND1.	-	-
19, 36	AGND	P	-	Analog ground pin	-	-
21	DGND	P	-	Digital ground pin	-	-

44	HPVDD	P		Headphone Power Supply pin. A capacitor is connected between HPVDD and HPGND.	
3	HPGND	P		Headphone ground pin.	
5	NC	-		No Connection pin. Set open this pin.	Open

(Note1) In case of 2 wire serial, if this pin is used with external pull-up resistor, it possibly gets noise from power. Therefore tamper noise design is required in the noisy environment.

Application Examples

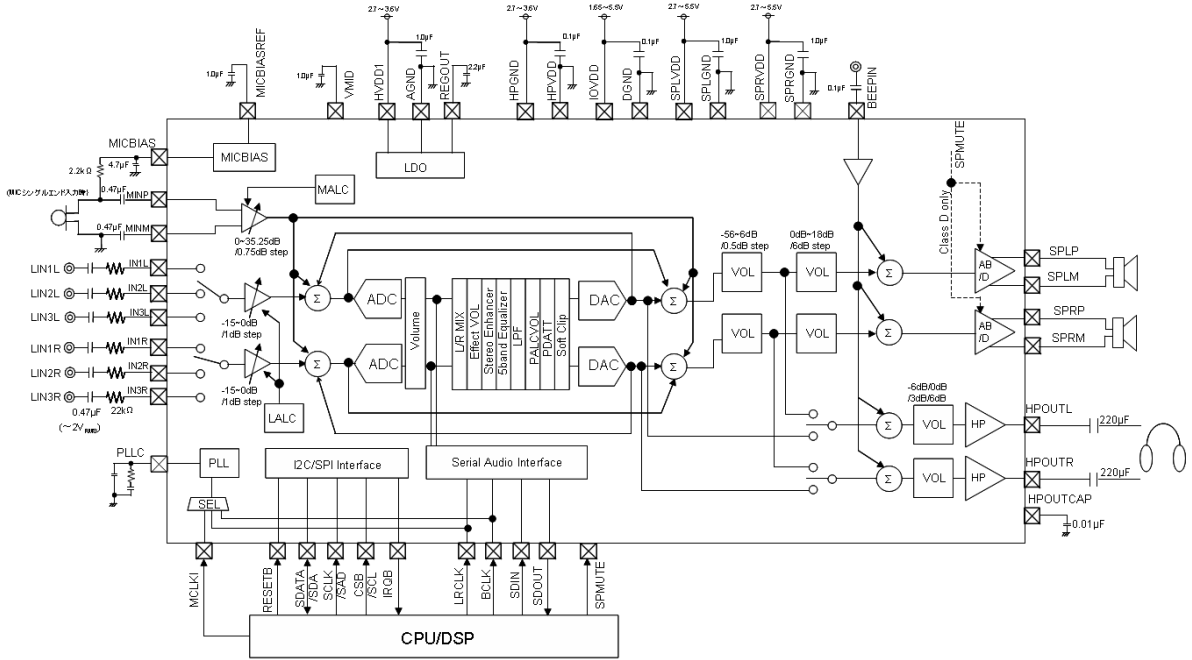


Figure 4. Application Examples1(Use internal speaker amplifier)

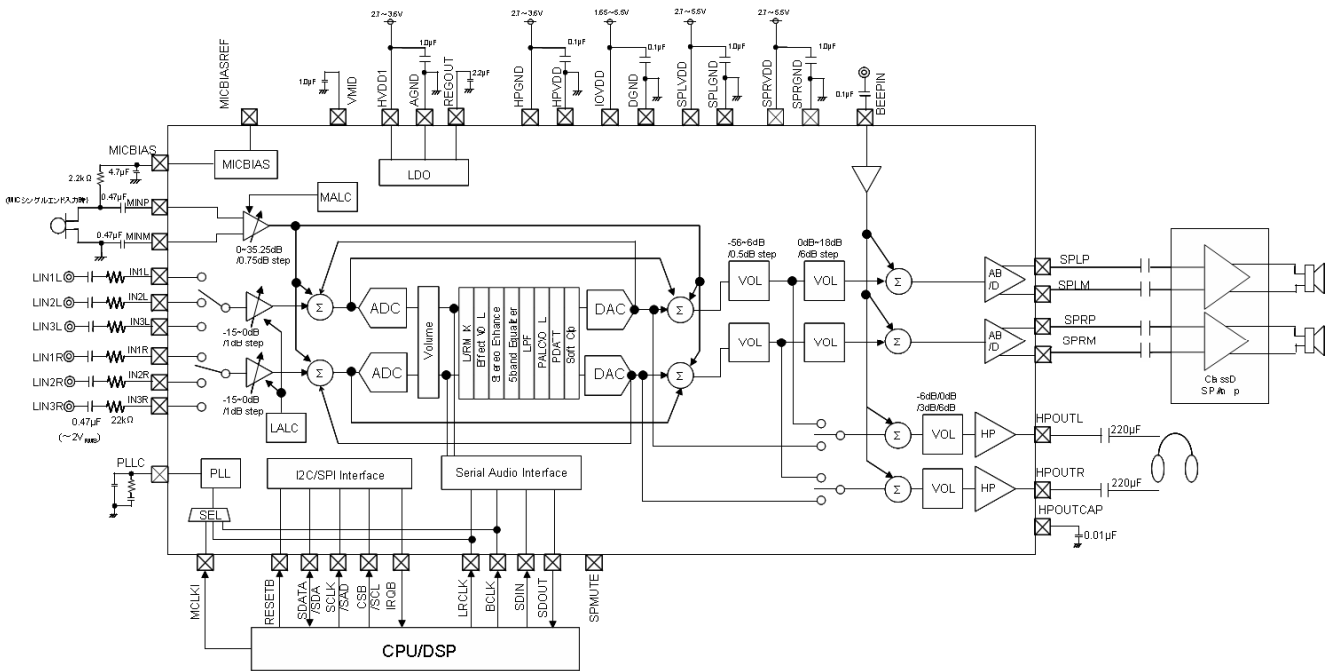


Figure 5. Application Examples2 (Use external speaker amplifier)

## Absolute Maximum Ratings

Parameter	Symbol	Condition	Rating	Unit
SPLVDD, SPRVDD Supply Voltage	SPLVDD SPRVDD	-	-0.3 to 7.0	V
HPVDD Supply Voltage	HPVDD	-	-0.3 to 4.5	V
HVDD1 Supply Voltage	HVDD1	-	-0.3 to 4.5	V
IOVDD Supply Voltage	IOVDD	-	-0.3 to 7.0	V
Input Voltage	V <sub>IN</sub>	MCLKI, LRCLK, BCLK, SDIN, SDATA/SDA, SCLK/SAD, CSB/SCL, SPMUTE	-0.3 to IOVDD+0.3	V
		LIN1L, LIN1R, LIN2L, LIN2R, MINL, MINR, BEEPIN	-0.3 to REGOUT+0.3	V
Storage Temperature	T <sub>stg</sub>	-	-55 to +150	°C
Package power dissipation	θ <sub>jc</sub>	HTSSOP-A44R	<sup>2</sup> (T <sub>jmax</sub> =+125°C)	°C/W
Output Current 1	IOSP	SPLM, SPLP, SPRM, SPRP	-1.0 to +1.0	A
Output Current 2	IOLO	HPOUTL, HPOUTR	-100 to +100	mA
Output Current 3	IOREGO	REGOUT	-30 to 0	mA
Output Current 4	IOO	All digital pins	-8 to +8	mA

Do not short the output pin to another output pin, power supply pin or GND pin.  
(Output pin includes an IO pin which is in output mode)

**Caution:** Operating the IC over the absolute maximum ratings may damage the IC. The damage can either be a short circuit between pins or an open circuit between pins and the internal circuitry. Therefore, it is important to consider circuit protection measures, such as adding a fuse, in case the IC is operated over the absolute maximum ratings.

## Recommended Operating Condition

Parameter	Symbol	Condition	Rating	Unit
SPLVDD, SPRVDD Supply Voltage	SPLVDD SPRVDD	SPLVDD=SPRVDD	2.7 to 5.5	V
HPVDD Supply Voltage	HPVDD	-	2.7 to 3.6	V
HVDD1 Supply Voltage	HVDD1	-	2.7 to 3.6	V
IOVDD Supply Voltage	IOVDD	-	1.65 to 5.5	V
Operating Temperature	T <sub>op</sub>	-	-20 to +85	°C

\*The radiation-proof design is not carried out.

Electrical Characteristics

DC Characteristics

(ALL GND terminals=0V, HVDD1=3.3V, IOVDD=3.3V, SPLVDD=SPRVDD=HPVDD=3.3V, Ta=25°C)

Parameter	Symbol	Condition	Min.	Typ.	Max.	Unit	Related Pin
"H" Input Voltage 1	VIH1	DGND=0V	IOVDD×0.8	-	IOVDD+0.3	V	RESETB, SDATA/SDA, SCLK/SAD, CSB/SCL, SPMUTE and MCLKI pins.
"H" Input Voltage 2	VIH2	DGND=0V	IOVDD×0.7	-	IOVDD+0.3	V	LRCLK, BCLK and SDIN pins.
"L" Input Voltage	VIL	DGND=0V	-0.3	-	IOVDD×0.2	V	All Digital Input
"H" Output Voltage	VOH	IOH=-1mA	IOVDD×0.85	-	-	V	Except SDA
"L" Output Voltage 1	VOL1	IOL=1mA	-	-	IOVDD×0.15	V	Except SDA
"L" Output Voltage 2	VOL2	IOL=3mA, IOVDD ≥2V IOVDD <2V	- -	- -	0.4 IOVDD×0.2	V	SDA
"H" Input Leakage Current 1	I IH1	VIH= IOVDD	-	-	10	μA	Except SPMUTE
"L" Input Leakage Current	I IL	VIL=DGND	-10	-	-	μA	All Digital Input
"Z" Output Leakage Current	IOZH	VOH=IOVDD	-	-	10	μA	SDA
"Z" Output Leakage Current	IOZL	VOL=DGND	-10	-	-	μA	SDA
Stanby Current							
HVDD1	IDDSH1	RESETB="L"	-	0.1	10	μA	
SPLVDD+SPRVDD	IDDSPP		-	0.1	10	μA	
HPVDD	IDDSHP		-	0.1	10	μA	
IOVDD	IDDSIO		-	0.1	10	μA	
Operating Current 1, DAC→mixvol→Headphone Output ( fs48kHz, No Load, No signal input, Sound effect off )							
HVDD1	IDDO1H1	Headphone Output, No Load, No signal input, Sound effect off	-	6.2	9.5	mA	
SPLVDD+SPRVDD	IDDO1SP		-	0.02	0.1	mA	
HPVDD	IDDO1HP		-	1.0	1.3	mA	
IOVDD	IDDO1IO		-	0.03	0.1	mA	
Operating Current 2, DAC→mixvol→D-class Speaker Output ( fs48kHz, No Load, No signal input, Sound effect off )							
HVDD1	IDDO2H1	D-class Speaker Output, No Load, No signal input, Sound effect off	-	6.2	8.2	mA	
SPLVDD+SPRVDD	IDDO2SP		-	3.3	7.4	mA	SPVDD=3.3V
SPLVDD+SPRVDD	IDDO2SP_5		-	5.0	-	mA	SPVDD=5V
HPVDD	IDDO2HP		-	0.03	0.1	mA	
IOVDD	IDDO2IO		-	0.03	0.1	mA	
Operating Current 3, DAC→mixvol→AB-class Speaker Output ( fs48kHz, No Load, No signal input, Sound effect off )							
HVDD1	IDDO3H1	AB-class Speaker Output, No Load, No signal input, Sound effect off	-	6.2	8.2	mA	
SPLVDD+SPRVDD	IDDO3SP		-	5.0	9.6	mA	SPVDD=3.3V
SPLVDD+SPRVDD	IDDO3SP_5		-	6.0	-	mA	SPVDD=5V

HPVDD	IDDO3HP		-	0.03	0.1	mA	
IOVDD	IDDO3IO		-	0.03	0.1	mA	
Operating Current 4, MicIN→linemix→ADC ( fs48kHz, Sin1kHz-Full Scale input, Micbias Enable, Mic ALC off, Sound Effect off )							
HVDD1	IDDO4H1	fs48kHz, No signal input,, Micbias Enable, Mic ALC off, Sound Effect off	-	12.3	16.9	mA	
SPLVDD+SPRVDD	IDDO4SP		-	0.02	0.1	mA	
HPVDD	IDDO4HP		-	0.03	0.1	mA	
IOVDD	IDDO4IO		-	0.03	0.1	mA	
Operating Current 5, Lineln→llinemix→ADC ( fs48kHz, Sin1kHz-Full Scale input, LineALC off, Sound Effect off )							
HVDD1	IDDO5H1	fs48kHz, No signal input, Line ALC off, Sound Effect off	-	11.2	13.8	mA	
SPLVDD+SPRVDD	IDDO5SP		-	0.02	0.1	mA	
HPVDD	IDDO5HP		-	0.03	0.1	mA	
IOVDD	IDDO5IO		-	0.03	0.1	mA	

## Operating Power

(ALL GND terminals=0V, IOVDD=3.3V, HVDD1=3.3V, SPLVDD=SPRVDD=5.0V, HPVDD=3.3V, Ta=25°C)

Parameter	Symbol	Condition	Min	Typ	Max	Unit
<b>Regulator Output</b>						
REGOUT Output Level	VREGOUT	-	1.7	1.8	1.9	V
<b>BEEP Input</b>						
Full Scale Input Signal Level	VBINFS	-	-	-	1	Vpp
<b>Line Input</b> ( R <sub>LIN</sub> =22 kΩ / Line Gain=-9dB / Digital Volume=0.0dB / Line ALC=OFF )						
Full Scale Input Signal Level	VLINFS	LIN1L, LIN2L, LIN3L, LIN1R, LIN2R, LIN3R	-	-	2.0	Vrms
<b>Mic Input</b> (MIC Gain=20.25dB / Digital Volume=0.0dB / Mic ALC=OFF)						
Full Scale Input Signal Level	VMINFS1	MINP,MINM	-	-	0.124	Vp-p
Input Resistance	RMIN1	MINP,MINM	20	30	40	kΩ
<b>Mic Input</b> (MIC Gain=9.0dB / Digital Volume=0.0dB / Mic ALC=OFF)						
Full Scale Input Signal Level	VMINFS2	MINP,MINM	-	-	0.454	Vp-p
Input Resistance	RMIN2	MINP,MINM	20	30	40	kΩ
<b>Analog Reference Level</b> (VMID-pin)						
Analog Reference Voltage	VREF	-	0.9x REGOUT/2	1.0x REGOUT/2	1.1x REGOUT/2	V
<b>Microphone Bias</b> (MICBIAS-pin)						
Output Voltage (VMIC<HVDD1*0.85)	VMIC	IMIC = -2mA, MICBCON=0	1.51x REGOUT/2	1.67x REGOUT/2	1.83x REGOUT/2	V
		IMIC = -2mA, MICBCON=1	2.00x REGOUT/2	2.22x REGOUT/2	2.44x REGOUT/2	V
		IMIC = -2mA, MICBCON=2	2.51x REGOUT/2	2.78x REGOUT/2	3.05x REGOUT/2	V
		IMIC = -2mA, MICBCON=3	3.00x REGOUT/2	3.33x REGOUT/2	3.66x REGOUT/2	V
Output Current	IMIC	-	-	-	2	mA

(HGND1=0V, IOVDD=3.3V, HVDD1=3.3V, SPLVDD=SPRVDD=5.0V, HPVDD=3.3V, Ta=25°C, 1kHz signal, fs=48kHz)

Parameter	Symbol	Condition	Min	Typ	Max	Unit
<b>Analog Line Input to ADC out</b> (R <sub>LIN</sub> =22kΩ / Line Gain=0dB / LineMix Gain = 0dB / Digital Volume=0.0dB / Line ALC=OFF)						
S/(N+D)	SND1	-1dBFS/ A-weighted	-	81	-	dB
S/N	SNR1	A-weighted	-	93	-	dB

Power Supply Rejection Ratio	PSRR1	HVDD1 on 100mVp-p, 1kHz ripple, no signal input	-	90	-	dB
<b>Analog Mic Inputs to ADC out (MIC Gain=20.25dB / Line Mix Gain = 0dB / Digital Volume=0.0dB / Mic ALC=OFF)</b>						
S/(N+D)	SND2	-1dBFS/ A-weighted	-	79	-	dB
S/N	SNR2	A-weighted	-	81	-	dB
Power Supply Rejection Ratio	PSRR2	HVDD1 on 100mVp-p, 1kHz ripple, no signal input	-	89	-	dB
<b>Analog Mic Inputs to ADC out (MIC Gain=9.0dB / Digital Volume=0.0dB / Mic ALC=OFF)</b>						
S/(N+D)	SND3	-1dBFS/ A-weighted	-	80	-	dB
S/N	SNR3	A-weighted	-	87	-	dB
Power Supply Rejection Ratio	PSRR3	HVDD1 on 100mVp-p, 1kHz ripple, no signal input	-	90	-	dB
<b>DAC to Headphone OUT (HPOUTL/HPOUTR, with 220<math>\mu</math>Fcuppling 16<math>\Omega</math> load)</b>						
Output Power	Po4	THD+N=1%, RL=16 $\Omega$	-	60	-	mW
Total Harmonic Distortion	THD4	-6dBFS input / A-weighted	-	79	-	dB
Signal to Noise Ratio	SNR4	A-weighted	-	90	-	dB
Power Supply Rejection Ratio	PSRR4	HPVDD on 100mVp-p,1kHz ripple, no signal input	-	60	-	dB
		HVDD1 on 100mVp-p,1kHz ripple	-	80	-	dB
<b>DAC to Class-AB Speaker OUT (SPLP/SPLM, SPRP/SPRM, with 8<math>\Omega</math> / 50pF load )</b>						
Output Power	Po5-1	SPMIXG=12dB, RL=8 $\Omega$ ,THD=1%	-	1.4	-	W
	Po5-2	SPMIXG=12dB, RL=8 $\Omega$ ,THD=10%	-	1.7	-	W
	Po5-3	SPMIXG=12dB, RL=4 $\Omega$ ,THD=1%	1.5	2.5	-	W
	Po5-4	SPMIXG=12dB, RL=4 $\Omega$ ,THD=10%	2	3	-	W
Total Harmonic Distortion	THD5	Po=1W, RL=8 $\Omega$ / A-weighted	-	62	-	dB
Signal to Noise Ratio	SNR5	A-weighted	-	91	-	dB
Power Supply Rejection Ratio	PSRR5	SPLVDD/SPRVDD on 100mVp-p,1kHz ripple	-	60	-	dB
		HVDD1 on 100mVp-p,1kHz ripple	-	80	-	dB
<b>DAC to Class-D Speaker OUT (SPLVDD=SPRVDD=5V,SPLP/SPLM, SPRP/SPRM, with 8<math>\Omega</math> / 50pF load )</b>						
Output Power	Po6-1	SPMIXG=12dB, RL=8 $\Omega$ ,THD=1%	-	1.4	-	W
	Po6-2	SPMIXG=12dB, RL=8 $\Omega$ ,THD=10%	-	1.7	-	W
	Po6-3	SPMIXG=12dB, RL=4 $\Omega$ ,THD=1%	1.5	2.5	-	W
	Po6-4	SPMIXG=12dB, RL=4 $\Omega$ ,THD=10%	2	3	-	W
Total Harmonic Distortion	THD6	Po=1W, RL=8 $\Omega$ / A-weighted	-	62	-	dB
Signal to Noise Ratio	SNR6	A-weighted	-	89	-	dB
Power Supply Rejection Ratio	PSRR6	SPLVDD/SPRVDD on 100mVp-p,1kHz ripple	-	72	-	dB
		HVDD1 on 100mVp-p,1kHz ripple	-	80	-	dB
<b>Class D oscillator frequency (AM Avoidance)</b>						
Oscillator frequency	AM0	AMA[1:0]=0b00	360	400	440	kHz
	AM1	AMA[1:0]=0b01	450	500	550	kHz
	AM2	AMA[1:0]=0b10	540	600	660	kHz



	AM3	AMA[1:0]=0b11	630	700	770	kHz
<b>Microphone Bias (MICBIAS-pin)</b>						
Output Noise Voltage	VMICN7	22Hz to 22kHz, VMIC =1.67 x REGOUT/2	-	5	-	μV
Power Supply Rejection Ratio	PSRR7	HVDD1 on 100mVp-p, 1kHz ripple Load=1mA	-	80	-	dB

AC Characteristics

Clock  
PLL not use

(DGND=0V, IOVDD=3.3V, HVDD1=3.3V, Ta=25°C)

Parameter	Symbol	Min	Max.	Unit
MCLKI Frequency	fC	2.048M	49.152M	Hz
MCLKI Period	tC	1/fC	1/fC	s
MCLKI Length	tCH	tC*0.4	-	s
MCLKI Length	tCL	tC*0.4	-	s

PLL use (External Loop back filter not used)

(DGND =0V, IOVDD=3.3V, HVDD1=3.3V, Ta=25°C)

Parameter	Symbol	Min	Max.	Unit
MCLKI Frequency	fC	2M	54M	Hz
MCLKI Period	tC	1/fC	1/fC	s
MCLKI Length	tCH	tC*0.4	-	s
MCLKI Length	tCL	tC*0.4	-	s

PLL use (External Loop back filter used)

(DGND =0V, IOVDD=3.3V, HVDD1=3.3V, Ta=25°C)

Parameter	Symbol	Min	Max.	Unit
MCLKI Frequency	fC	32k	2M	Hz
MCLKI Period	tC	1/fC	1/fC	s
MCLKI Length	tCH	tC*0.4	-	s
MCLKI Length	tCL	tC*0.4	-	s

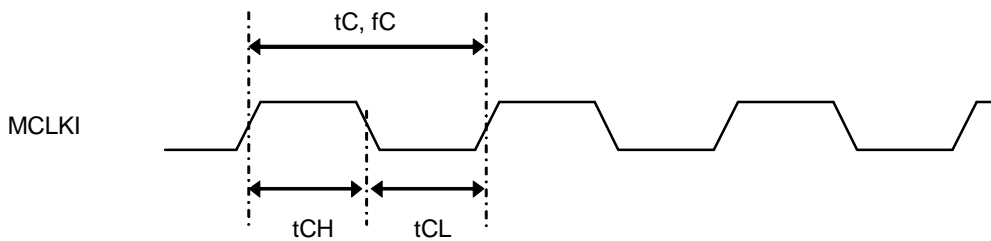


Figure 6.

Reset

(DGND =0V, IOVDD=3.3V, HVDD1=3.3V, Ta=25°C)

Parameter	Symbol	Min	Max.	Unit
RESETB pulse width	tW_RST	5	-	μs

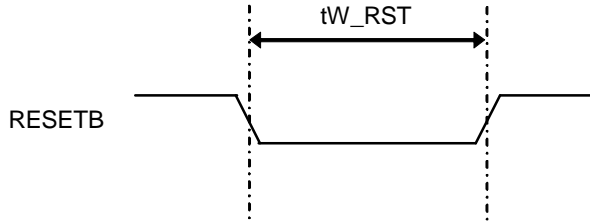


Figure 7.

When Reset pin is made Low level, internal LDO is power down mode. It is necessary for 1ms until REGOUT pin becomes Low level. The recommendation of tW\_RST is 1ms over.

2 wire serial interface

(DGND =0V, IOVDD=3.3V, HVDD1=3.3V, Ta=25°C, CL=30pF)

Parameter	Symbol	Standard Mode		Fast Mode		Unit
		Min	Max.	Min	Max.	
SCL Frequency	f <sub>SCL</sub>	-	100	-	400	kHz
SCL "L" Length	t <sub>LOW</sub>	4.7	-	1.3	-	μs
SCL "H" Length	t <sub>HIGH</sub>	4.0	-	0.6	-	μs
Hold time under Repeat [Start] Condition	t <sub>HD:STA</sub>	4.0	-	0.6	-	μs
Setup Time under Repeat[Start] Condition	t <sub>SU:STA</sub>	4.0	-	0.6	-	μs
Data Hold Time	t <sub>HD:DAT</sub>	0	3.45	0	0.9	μs
Data Setup Time	t <sub>SU:DAT</sub>	250	-	100	-	ns
Setup Time under [Stop] Condition	t <sub>SU:STO</sub>	4.0	-	0.6	-	μs

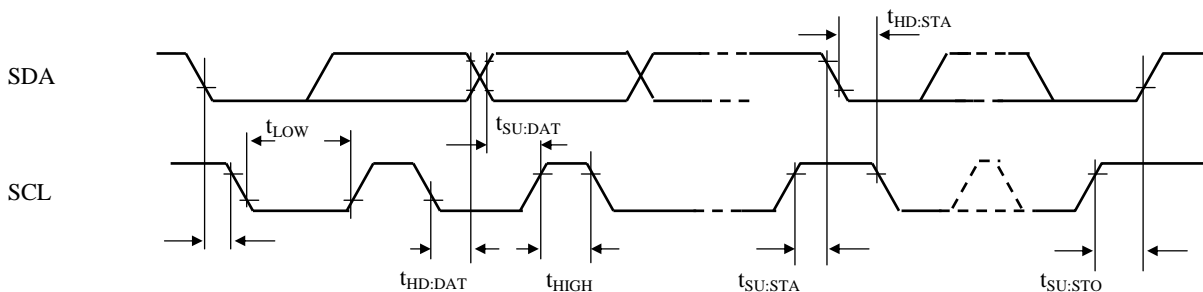


Figure 8.

3 wire serial interface

(DGND=0V, IOVDD=3.3V, HVDD1=3.3V, Ta=25°C, CL=30pF)

Parameter	Symbol	Min	Max.	Unit
SCLK Low to Chip Select enable	tSLCL	100	-	ns
Chip Select enable to SCLK Low	tCLSL	100	-	ns
Chip Select enable to SCLK High	tCLSH	100	-	ns
SCLK High to Chip Select enable	tSHCL	100	-	ns
SCLK High Pulse Width	tSH	50	-	ns
SCLK Low Pulse Width	tSL	50	-	ns
Input Data Setup time	tIDS	30	-	ns
Input Data Hold time	tIDH	30	-	ns
SCLK last edge to Chip Select disable	tCHS2	100	-	ns
Chip Select High Pulse Width	tCH	100	-	ns
Output Data Valid	tODV	-	40	ns
Chip Select High to Data Transition	tCHDTS	-	40	ns

Two kinds of timing is supported depends on the SCLK pin level at data transfer start. Read or Write is selected by LSB level of INDEX.

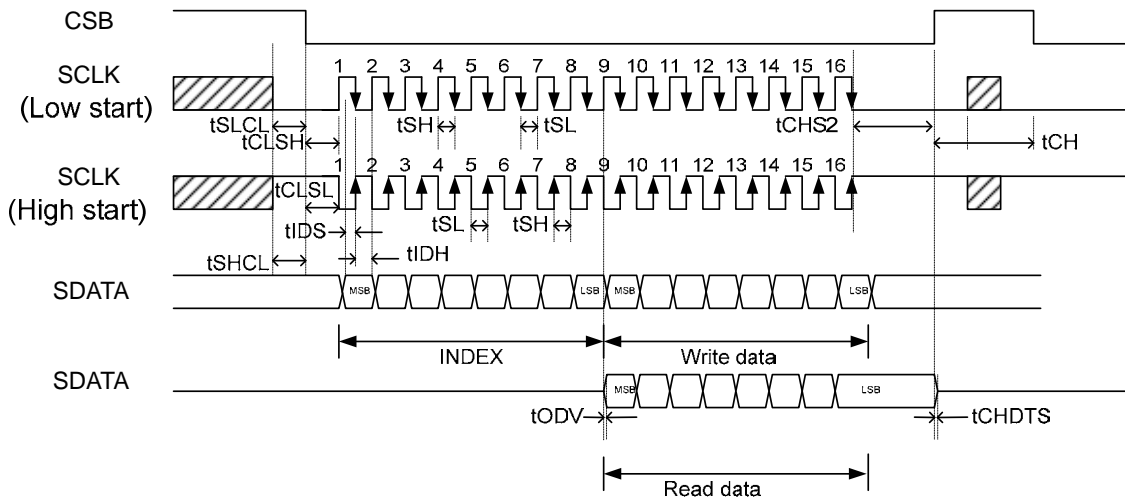


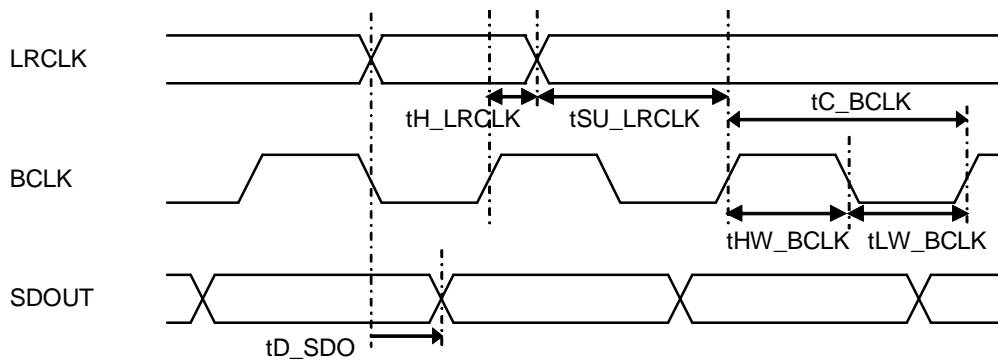
Figure 9.

Serial Audio Interface (Slave)

(DGND=0V, IOVDD=3.3V, HVDD1=3.3V, Ta=25°C, CL=30pF)

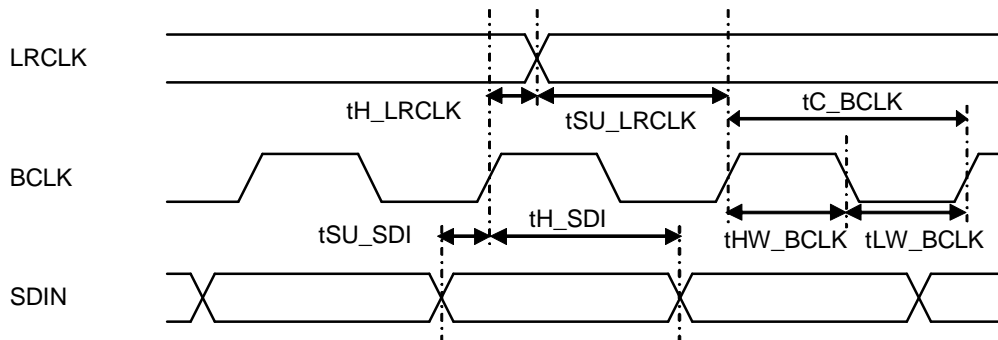
Parameter	Symbol	Min	Max.	Unit
SAI_BCLK Period	tC_BCLK	32fs	128fs	Hz
SAI_BCLK "H" Length	tHW_BCLK	73	-	ns
SAI_BCLK "L" Length	tLW_BCLK	73	-	ns
SAI_LRCLK Hold Time	tH_LRCLK	20	-	ns
SAI_LRCLK Setup Time	tSU_LRCLK	20	-	ns
SAI_SDOUT Delay Time	tD_SDO (Note1)	-	80	ns
SAI_SDIN Setup Time	tSU_SDI	20	-	ns
SAI_SDIN Hold Time	tH_SDI	20	-	ns

(Note1) tD\_SDO is the delay time from later one of SAI\_BCLK transition and SAI\_LRCLK transition.



SAI Transmit

Figure 10.



SAI Receive

Figure 11.

Power Supply Sequence

Please power on/off the LSI with all kind of power at the same time.  
 Each power supply should power up/down in 50ms. Also keep all power supply in the ON state or the OFF state.  
 Please avoid partial ON or partial OFF states. Don't have to keep the sequence of power on/off

Please keep RESETB pin "L" level until all power supply become ON state. The CPU I/F available when all power supply are powered on, exceed  $t_{w\_PURST}$ , RESET are disabled and exceed  $t_{w\_REGU}$ . It is regardless that turn of power on and off of IOVDD and HVDD.

Parameter	Symbol	Min	Typ	Max	Unit
Power On Delay Time	$t_{VDD\_ON}$	0	-	50	ms
Power Down Delay Time	$t_{VDD\_OFF}$	0	-	50	ms
Reset Time after Power ON	$t_{w\_PURST}$	1	-	-	$\mu$ s
Wait time for Regulator starting after reset release	$t_{w\_REGU}$	1	-	-	ms

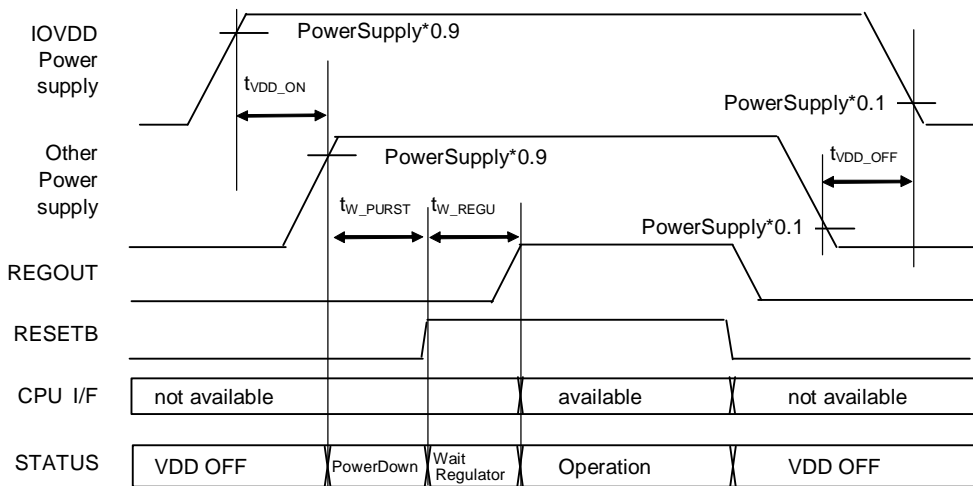


Figure 12.

## Function Description

## Clock control

Main modules that make up sound path of the LSI inside operate with 256fs Audio Clock.

Audio Clock can be selected whether divided clock of 256fs/512fs/1024fs from MCLKI or generated clock from Audio PLL.

In case of used external loop filter of PLL, input clock must be 2MHz to 54MHz frequency. In case of not used external filter of PLL, input clock must be 32 kHz to 2MHz frequency. It is possible to select internal clock either MCLKI port or LRCLK port or BCLK port.

Internal Clock is selected Clock Input/Output Control Register. These frequency mean 512fs and master clock is divided by 2 from PLL output when sampling frequency is 16 kHz to 24 kHz, and these frequency mean 1024fs and master clock is divided by 4 from PLL output when sampling frequency is 8 kHz to 12 kHz.

· · PLL condition setting (changing) sequence

1. Stop PLL output by setting PLLOE bit to "0"
2. Disable PLL by setting PLEN bit to "0"
3. Set FPLLM, FPPNL, FPLLNH, FPLLD, FPLLFL, FPLLFH, FPLLFDL, FPLLFDH
4. Set PLEN bit to "1"
5. Wait for the PLL stabilizing time as the table "PLL Stabilizing Time"
6. Set PLLOE bit to "1"
7. Start recording or playback.

## PLL Stabilizing Time

PLL Stabilizing Time
10msec

- Related Register

Sampling Rate Setting Register

FPLLM, FPPNL, FPLLNH, FPLLD, FPLLFL, FPLLFH, FPLLFDL, FPLLFDH Register

Clock Enable Register

Clock Input/Output Control Register

When pll is used.

The LSI support audio PLL function that can generate precise audio clock from wide range of clock frequency. Then, it can be realize audio function without external clock generator for audio. The LSI supports following cases.

- case 1: PLLISEL=0 or 2, MST=0, MCLKOE=0  
Audio PLL generate system clock as 256fs from LRCLK

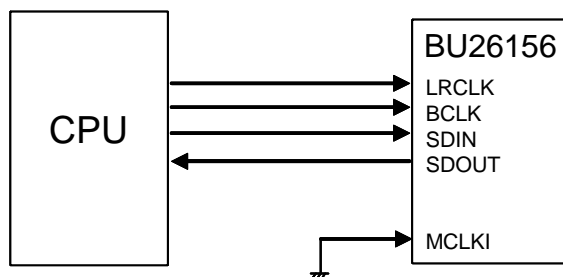


Figure 13.



When PLL is not used.

Please generate Audio clock on the CPU and supply to the LSI when PLL is not used. Then CPU and the LSI are synchronized.

■case 2: MST="0", MCLKOE="0"

Audio Clock is generated by the CPU and supplied to MCLKI pin of the LSI. LRCLK and BCLK are also provided from the CPU.

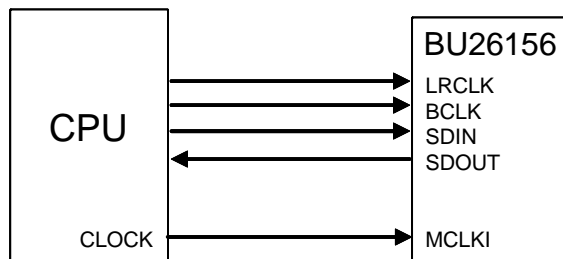


Figure 14.

Serial Audio Interface

The LSI supports SAI formats.

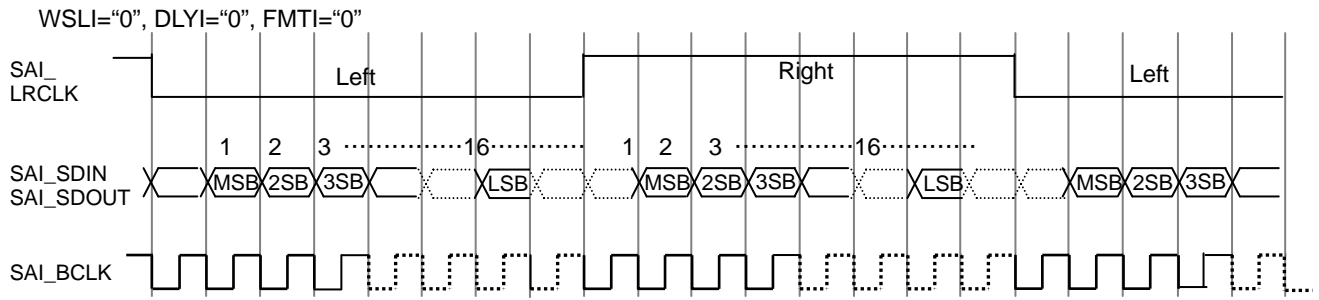


Figure 15.

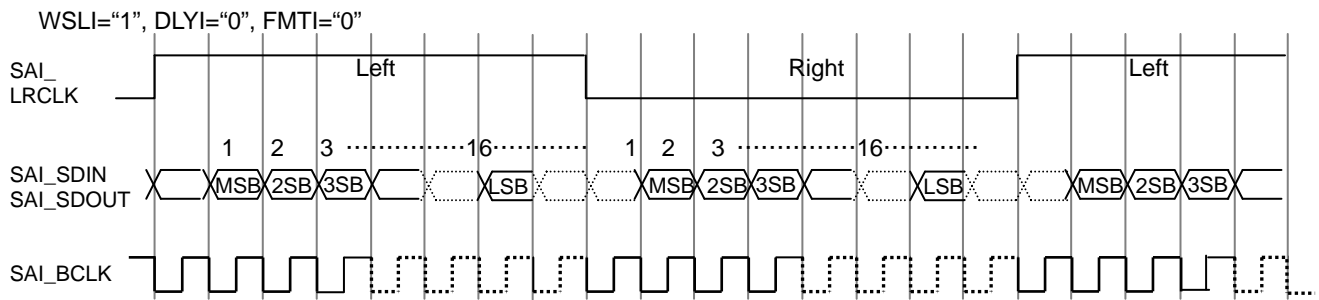


Figure 16.

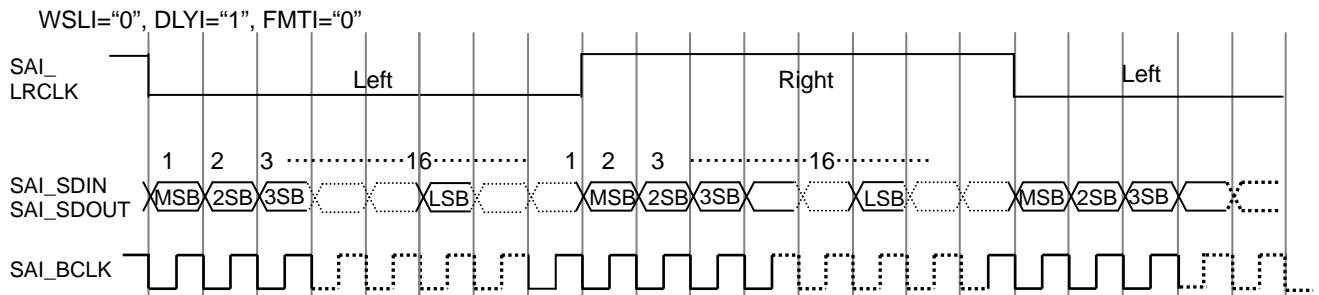


Figure 17.

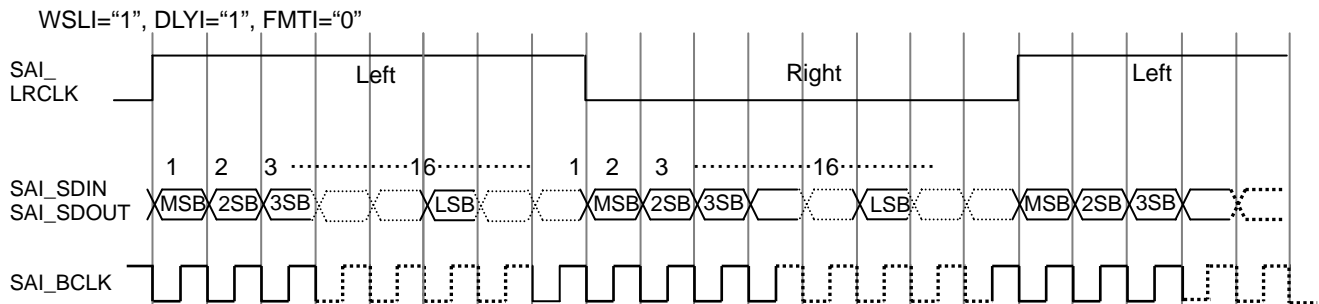


Figure 18.

DLYI="0", FMTI="1"

Flame synchronous transfer mode: R channel data is transferred right after L channel data.

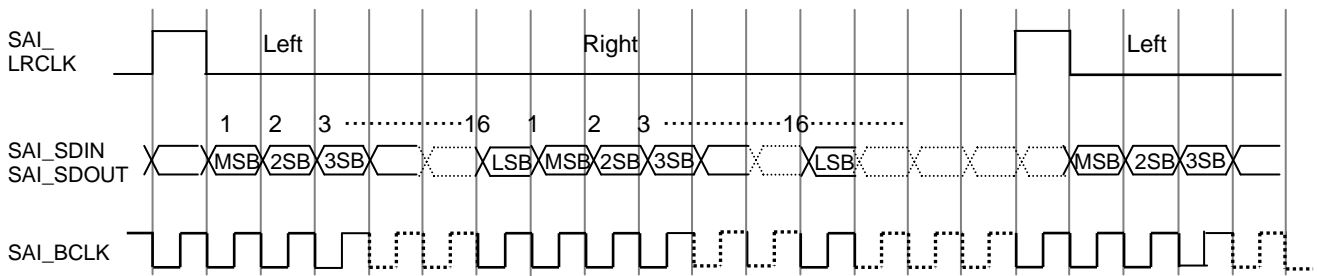


Figure 19.

DLYI="1", FMTI="1"

Flame synchronous transfer mode: R channel data is transferred right after L channel data.

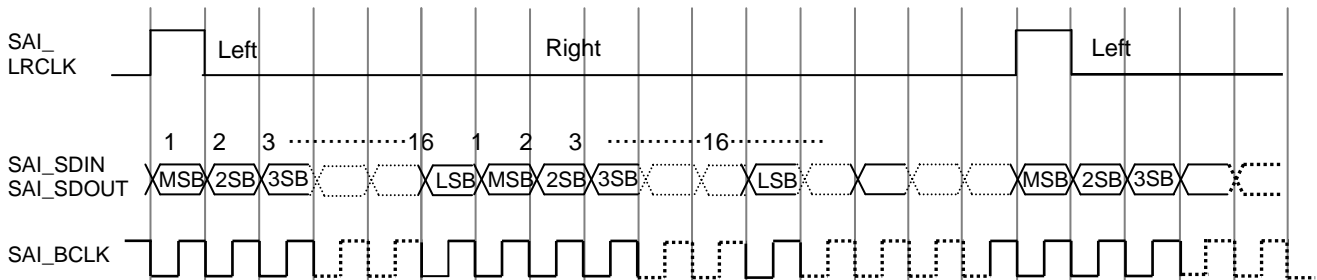


Figure 20.

- Related Register
- SAI Transmitter Control Register
- SAI Receiver Control Register

2 wire serial interface

This LSI has 2 wire serial interfaces. The LSI operates as a slave device. The address is fixed at "0011010".

- Format

The followings are the protocol of the LSI.

Write (MSB first)

- Start Condition (Set SDA level from "H" to "L" during SCL="H")
- Slave Address (0011010) +W (0) (8bit)
- Write Address (8bit)
- Write Data (8bit)
- ...
- Stop Condition (Set SDA level from "L" to "H" during SCL="H")

Read (MSB first)

- Start Condition
- Slave Address (0011010) +W (0) (8bit)
- Read Address (8bit)
- (Stop Condition) Start Condition
- Slave Address (0011010) +R (1) (8bit)
- Read Data (8bit)

The following shows the wave form of the LSI.  
The yellow gridding shows that slave device drives the bus.  
The symbol in the wave form means as following table.

Unit	Description
W/R	0: Write 1: Read
A	0: ACK(Acknowledge) 1: NAK(Not Acknowledge)
A[7-0]	Address (8bit)
D[7-0]	Data(8bit)

Write

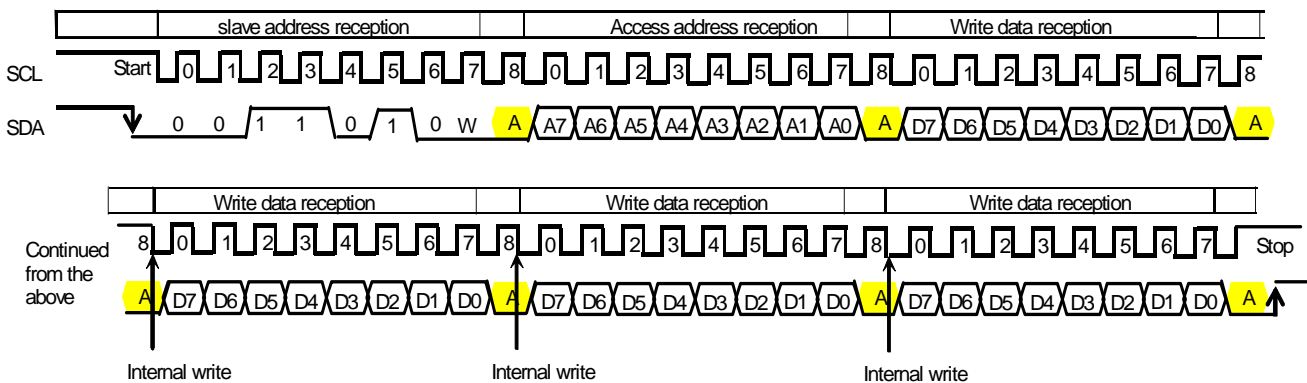


Figure 21.

In case there is no Stop or Start condition after internal register is written (Above figure: Internal Write), the slave device becomes continuous write mode and the next received 8 bits of data will be written into the internal register addressed by incremented by two to the current address.

Read

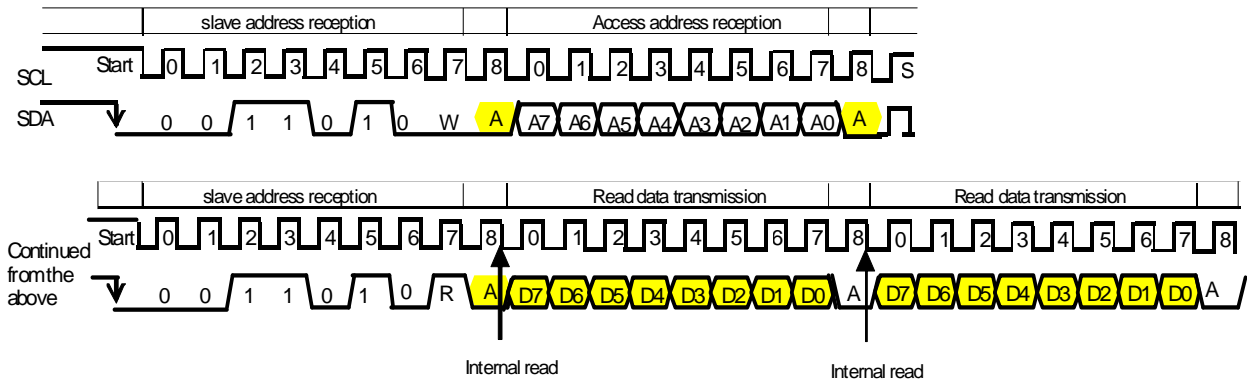


Figure 22.

If the Master device returns ACK (acknowledge) after the 8 bit data transferred from the LSI becomes continuous read mode. The next received 8 bits of data will be read from the internal register addressed by incremented by two to the current address.

Analog Block Gain Diagram

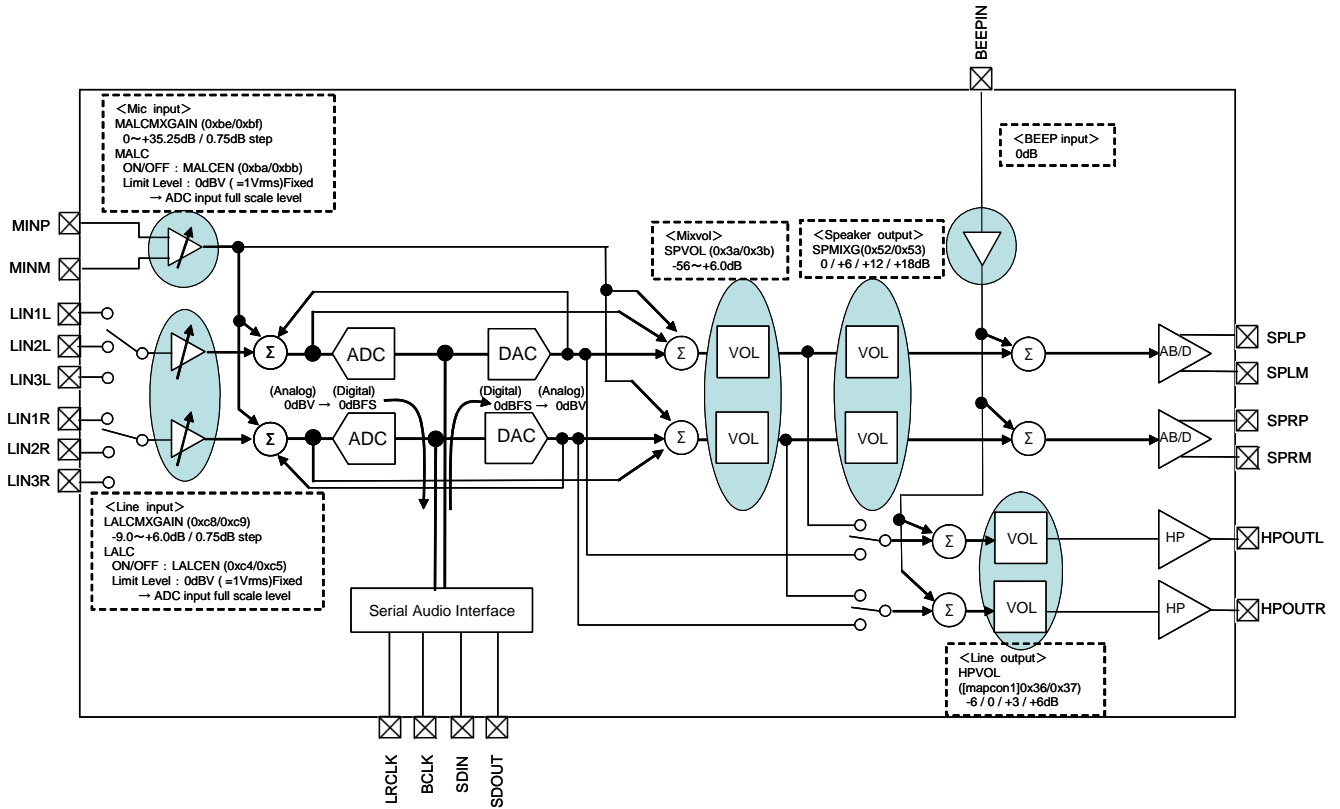


Figure 23.

State transition regarding SAI input and output control.

The following shows state transition about sound control. A change state is carried out by RECPLAY bit setup.

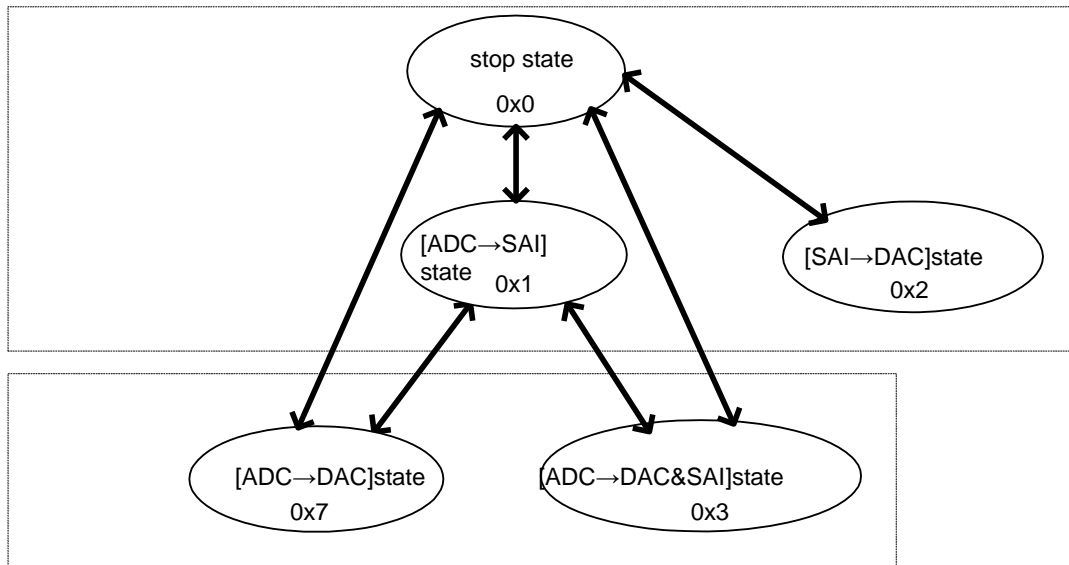


Figure 24.

- (1) Stop STATE (RECPLAY=0x0)  
Sound activity is stopped.
- (2) [ADC→SAI] STATE (RECPLAY =0x1)  
Analog input signal (MIC input/LINE input) is converted to digital data and outputted from SAI terminals.
- (3) [SAI→DAC] STATE (RECPLAY =0x2)  
Digital signal from SAI is converted to analog data and it is outputted from speaker or line amplifier.
- (4) [ADC→DAC] STATE (RECPLAY =0x7)  
Analog input signal (MIC input/LINE input) is converted to digital data and outputted speaker or line amplifier through DAC.
- (5) [ADC→DAC & SAI] STATE (RECPLAY =0x3)  
Analog input signal (MIC input/LINE input) is converted to digital data and outputted from SAI terminals.  
At one time, digital signal inputted from SAI is converted to analog data and it is outputted from speaker or line amplifier.  
Set this state for using SDIN to SDOOUT path when LINDACEN bit enable.

\*Please don't use "DAC output to LIMIX path" with path (4) and path (5).

Signal Flow

ADC used signal flow

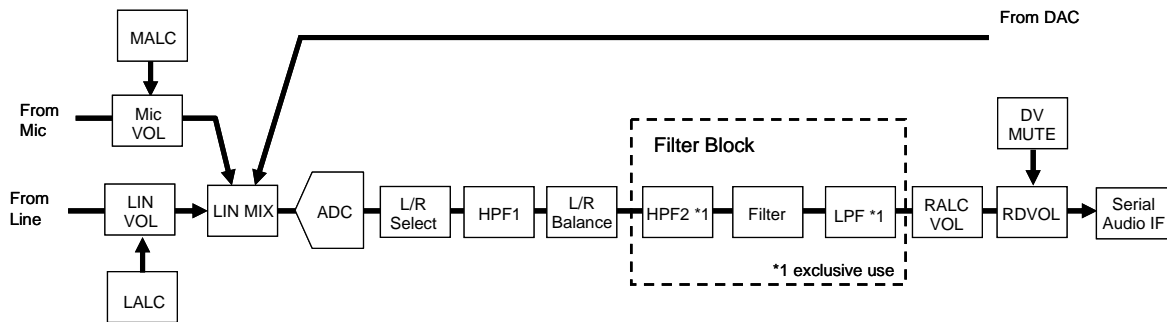


Figure 25.

Name	Function	Related Register	Setting
Mic ALC MICVOL	Analog Microphone volume and ALC	MIC ALC Control MIC ALC Max Gain Analog Input Power Management	0dB to +35.25dB, 0.75dB step
LineIN ALC LINVOL	Analog line input volume and ALC	Line ALC Control Line ALC Max Gain Analog Input Power Management	-15 to +0dB, 1dB step
LIN MIX	Mixing the LINE input, MIC input and outputted signal from DAC	Line In Control Analog Path Control	Analog input control from Mic, Line and DAC. Mixing control
ADC	24bit AD Converter	Analog Input Power Management	ADC Enable/Disable
L/R Select	ADC(Lch/Rch) to Audio Bass	[ I2SL / I2SR / MONOREC ] Record L/R Balance Volume Control	-6.0dB to 6.0dB(0.1step)
HPF1	High path filter for DC cut	DSP Filter Function Enable	HPF Enable/Disable
L/R Balance	L/R balance volume control	[ RBVOLL / RBVOLR ] Record L/R Balance Volume Control	-6.0dB to 6.0dB(0.1step)
HPF2	High pass filter for ADC	DSP Filter Function Enable High Pass Filter2 Cut-off Control	HPF Enable/Disable setting order setting Cut-off frequency setting
Filter	Sound filters setting	Sound Effect Mode DSP Filter Function Enable EQ Band N Gain Setting Programmable EQ Band N Coefficient-a0/1	Sound effect mode setting. Each filters Enable/Disable. Each filter gain settings. Each sound effects characteristics setting
LPF	Programmable LPF setting for ADC	Rec Programmable LPF Setting Rec Programmable LPF Cutoff Coef	LPF Enable/Disable setting Order setting. Cut-off frequency setting
RALCVOL	Digital Boost Volume for ADC	Recording Digital Boost Volume Register	-12.000d to 35.625dB(0.375Step)
RDVOL	Digital attenuator and fader for ADC	Record Digital Attenuator Control Digital Volume Control Function Enable Mixer & Volume Control	Volume setting -71.5dB to 0dB (0.5dBstep) Fader enable/disenable setting (working together DVMUTE)

\*Filter Block can be used for either ADC path or DAC path.  
For example, if Filter Block is connected to DAC, ADC is not effected by filter.  
Regarding the detail of register setting, please refer to selection of [SEMODE] register.



DAC used signal flow

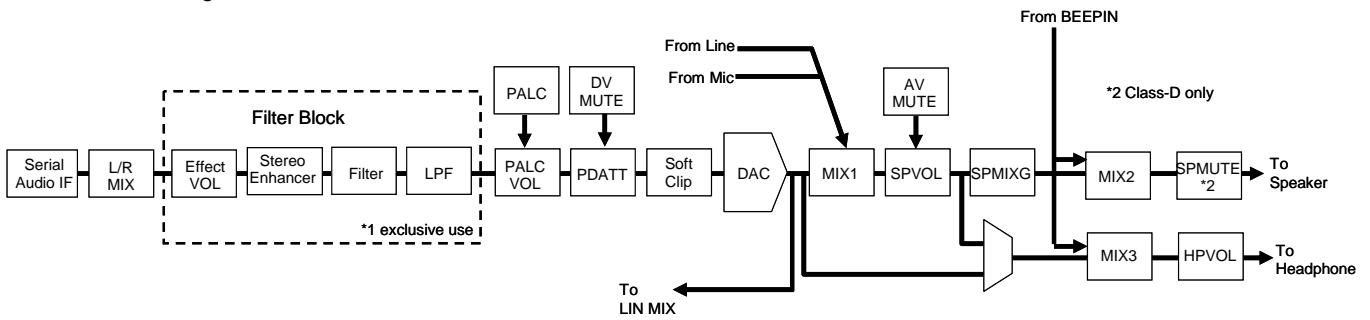


Figure 26.

Name	Function	Related Register	Setting
L/R MIX	Lch/Rch mixer for SAI input signal	Mixer & Volume Control	Mixer setting
Effect Vol	Digital volume in front of sound effect blocks.	Playback Effect Volume	-71.5dB to 0dB (0.5dBstep)
Stereo Enhancer	Stereo enhancer.	Stereo Gain	3D effect
Filter	Each sound filters are enabled.	Sound Effect Mode DSP Filter Function Enable EQ Band N Gain Setting Programmable EQ Band N Coefficient-a0/1	Sound effect mode setting. Each filters Enable/Disable Each filters gain setting Each sound effects characteristics setting
LPF	Programmable LPF for DAC path.	Play Programmable LPF Setting Play Programmable LPF Cutoff Coef	HPF Enable/Disable setting Order setting Cut-off frequency setting
PALC PALCVOL	Digital Playback ALC and Volume	Playback ALC Attack Time Control Playback ALC Decay Time Control Playback Target Level Control Playback ALC Min Gain Control Playback ALC Volume Control Playback ALC Zerocross Timeout Playback Limiter Fast Release Setting	ALC operation settings
PDATT	Digital Attenuator for DAC path. Fader for noise reduction at changing the digital volume	Playback Digital Attenuator Control Digital Volume Control Function Enable Mixer & Volume Control	Volume setting -71.5dB to 0.5dB (0.5dBstep) Fader ON/OFF setting Fade time setting
Soft Clip	Softclip limiter for output suppression	Soft Clip Enable Soft Clip Threshold Soft Clip Gain	Softclip Enable/Disable Threshold level, Gain setting
DAC	24bit DA Converter	DAC Power Management	DAC Enable/Disable
MIX1	Mixing DAC output and analog input.	Speaker Amplifier Output Control 2	Gain setting Mixing paths setting
SPVOL	Analog Volume for DAC to analog output path.	Speaker Amplifier Volume Control Amplifier Volume Fader Control Amplifier Volume Control Function Enable	Volume setting -54 to +6dB Fader ON/OFF setting Fade time setting
SPMIXG	Analog Volume for Speaker output path	Speaker Amplifier Output Control 1	Gain setting
MIX2	Mixing Speaker output signal and BEEPIN input signal.	SPAMP input Control BEEPIN Amp Control	Mixing paths setting
MIX3	Mixing Headphone output signal and BEEPIN input signal.	SPAMP input Control BEEPIN Amp Control	Mixing paths setting
HPVOL	Analog Volume for Headphone output path	Headphone output Gain Setting	Gain setting

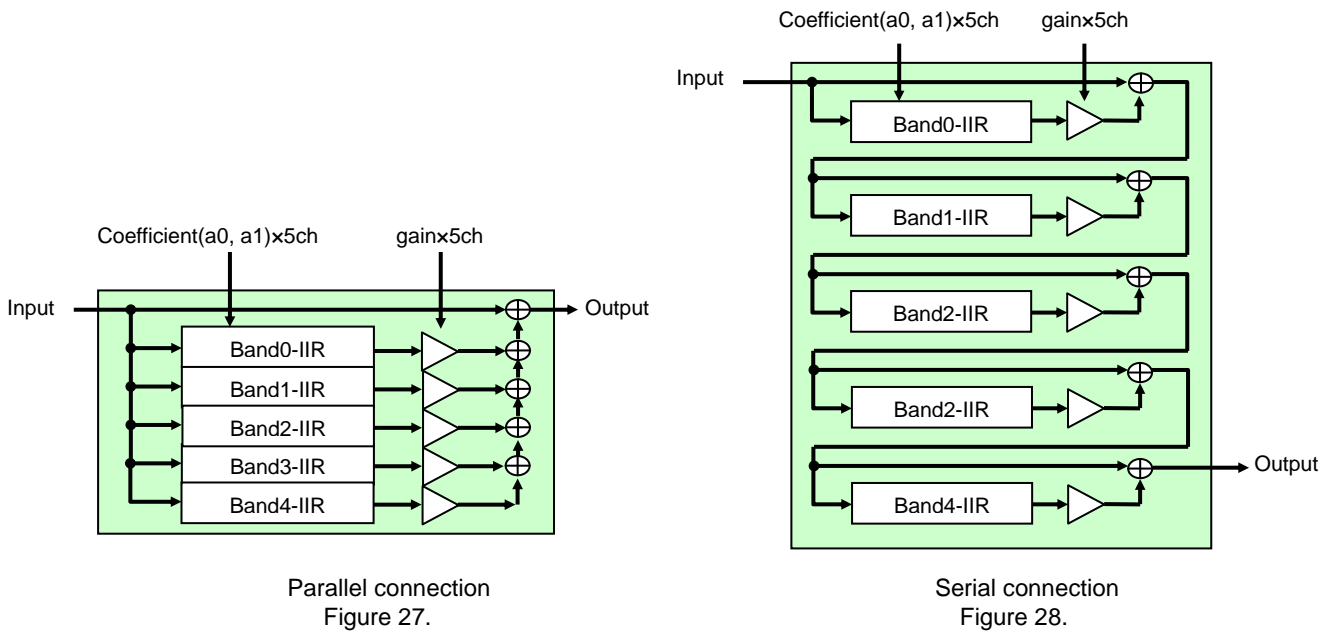
\*Filter Block can be used for either ADC path or DAC path.  
For example, if Filter Block is connectd to DAC, ADC is not effcted by filter.  
Regardring the detail of register setting, please refer to selection of [SEMDE] register.

Filter (5bands-Programmable IIR Filter)

A five bands equalizer features a second-order IIR type Band Pass Filter. Volume control of MUTE, -71.5dB+12dB (0.5dB step) can be controlled at all paths.

Each channels of the filter can be selected parallel connection or serial connection

The followings are block diagrams at parallel connection and serial connection



The filter coefficient is programmable. From required center frequency and band width, Programmable Equalizer Coefficient-a0 Control Register and Programmable Notch Filter Coefficient-a1 Control Register value is decided. Followings are the setting formula.

$$a0 = (1 - \tan\pi f_b / f_s) / (1 + \tan\pi f_b / f_s)$$

$$a1 = -2\cos 2\pi f_0 / f_s / (1 + \tan\pi f_b / f_s)$$

- f0: Band center frequency [Hz]
- fb: -3dB band width [Hz]
- fs: Sampling frequency [Hz]

\* Actual setting value is an integral number that the result of above formula multiplied by 2<sup>14</sup> then round up numbers of five and above and round down anything under five to an integer.

DSP filtering function: ON / OFF

DSP Filter Function Enable register can set ON or OFF of each filter function. Please change this register when RECPLAY bit is 0x0. If this register is changed on playback or recording, the noise may be generated.

Stereo Enhancer

Please refer the application note "StereoEnhancerApplicationNote".

PALC (ALC fo DAC path)

Function outline

The PALC adjust a gain automatically from -12dB to 35.625dB in DAC path.

A small level singal is made easy listening because the small level signal is amplified to a target level and dynamic range is compressed when the gain setting is a plus gain

Or PALC can be used for a limiter when the gain setting is a minus gain. It protects a speaker from destruction.

Fast release function makes play sound natural by it release the gain fast when a big singal is suddenly input and a volume drops.

Operation outline

When output waveform level of ALC is under the target level, output waveform is increased. Maximum level of gain is MALCMXGAIN or LALCMXGAIN. Maximum alc gain is PALCVOL and minimum level is PALCMINGAIN.

PALCATKC is attack time. It is a time step of decreasing waveform level. PALCDCY is decay time. It is a time step of increasing waveform level.

These operations are the following.

\*Note:When ALC is disable, output signal is also amplified to PALCVOL gain level.

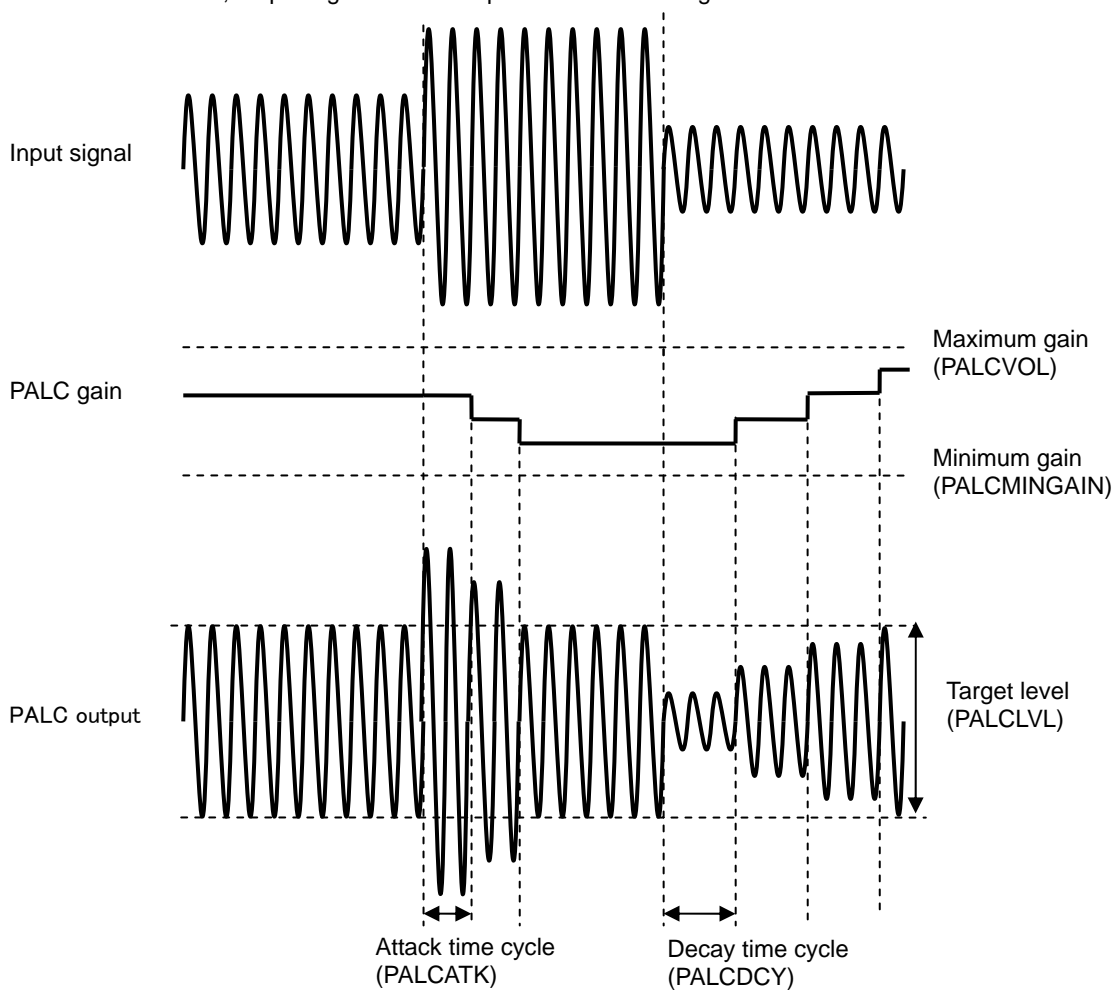


Figure 29.

A Peak Limiter function is carried in ALC. The Peak Limiter function short attack time and prevent clipping a wave. A threshold level is fixed at 87.5%(-1.16dBFS) and this function is priored the normal ALC operation when input level exceed the threshold level. The attack time is a minimum step, 1/fs, when the peak limiter operates. And this function cannot be turned off.

These operations level diagram is the following figure.

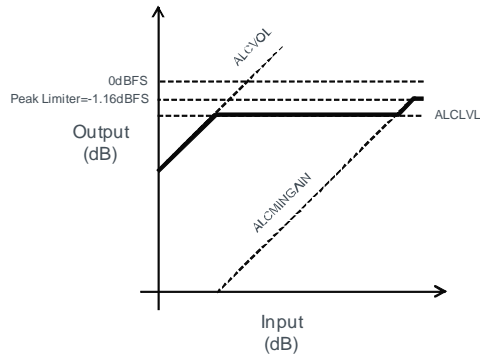


Figure 30. ALC Level diagram

Zero Cross

BU26156 combined Zerocross function for MALC, LALC. Zerocross is changed, when input waveform is crossed center level. In case of Zero Cross function is not occurred, BU26156 changes gain when time set by PALCZCTM is passed BU26156 also changes gain past that time when zerocross is enable (ZCEN=0x0). It is often caused POP noise to change gain without zero cross.

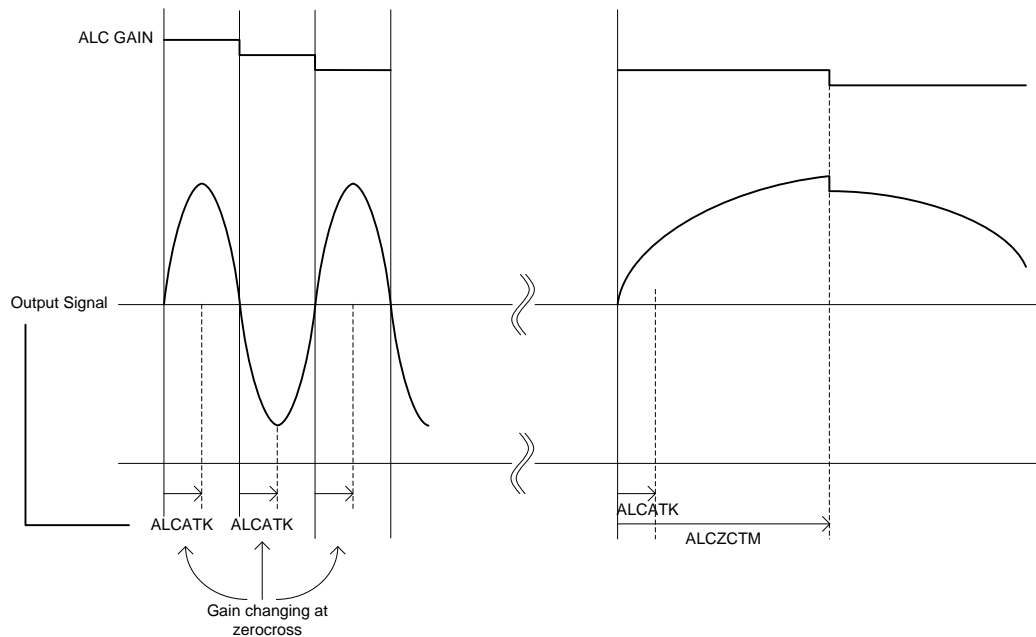


Figure 31.

Note:It is possible that a noise of changing the gain occur when ZCEN is disable.

Fast Release

In case of input impulse waveform is over target level of ALC, fast release function detects impulse waveform and LSI is returned until normal waveform level quickly. As result of quick return, output waveform of LSI is kept natural sound.

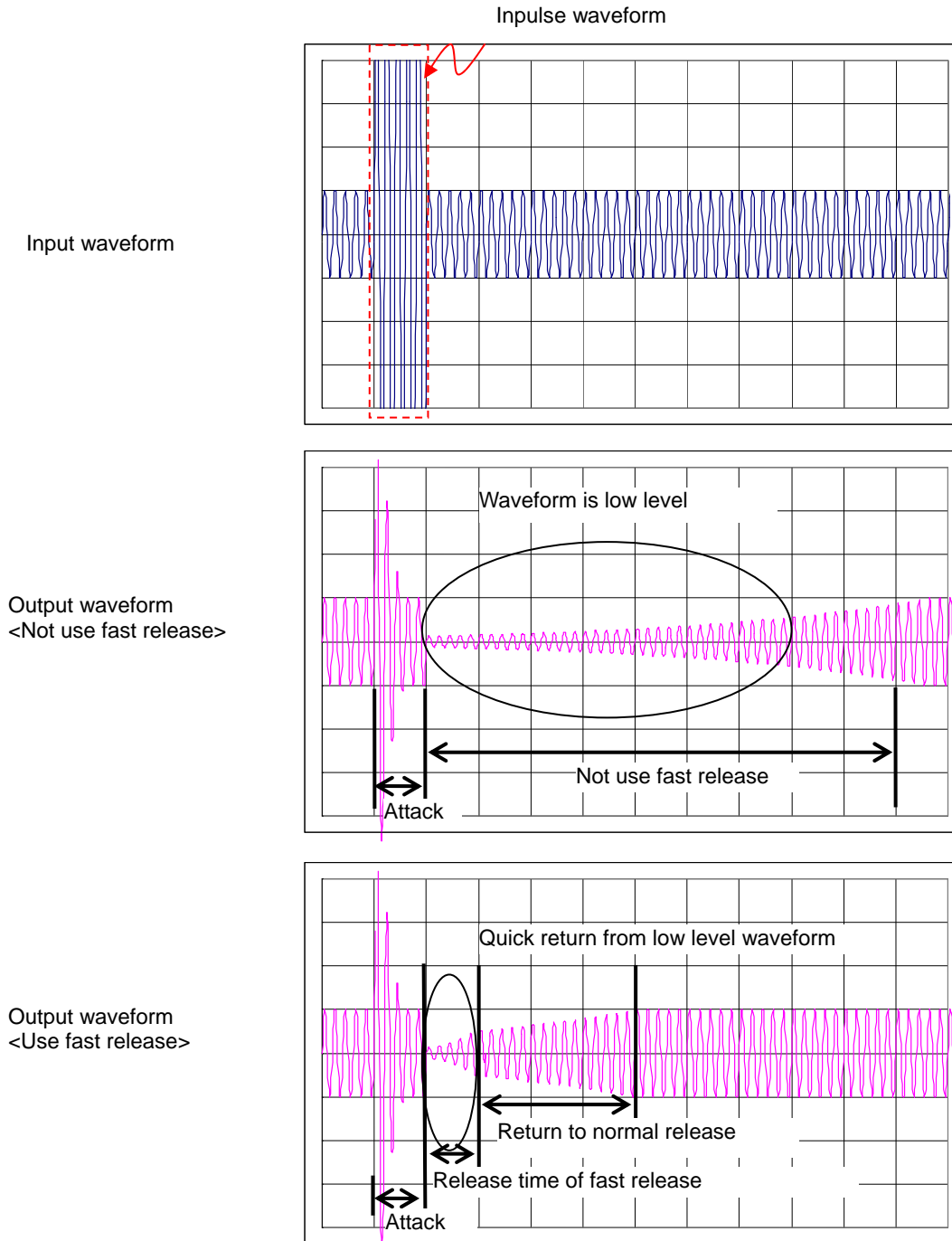


Figure 32. Not Fast release waveform and Fast release waveform

PALCFREN bit is setted enable of fast release function. When impulse waveform is over threshold of PALCFRTH level, fast release function is started and is returned waveform until detected level by fast release decay time. This decay time is selected PALFRSP bit.

MALC (Mic Input ALC)/LALC (Line input ALC)

Function general description

MALC can be adjusted mic input gain from 0dB to +35.25dB. LALC can be adjusted line input gain from -15dB to 0dB.

Operation general description

MALC and LALC are fixed ADC full-scale level. When output waveform level of ALC is under the target level, output waveform is increased. Maximum level of gain is MALCMXGAIN or LALCMXGAIN. Minimum level of gain is 0dB, when MALC is used. Minimum level of gain is -15dB, when LALC is used. MALCATK and LALCATK are attack time. It is a time step of decreasing waveform level. MALCDCY and LALCDCY is decay time. It is a time step of increasing waveform level. These operations are the following.

\* In case of MALC, LALC are disabled, output waveform is effective MALCMXGAIN and LALCMXGAIN setting gain.

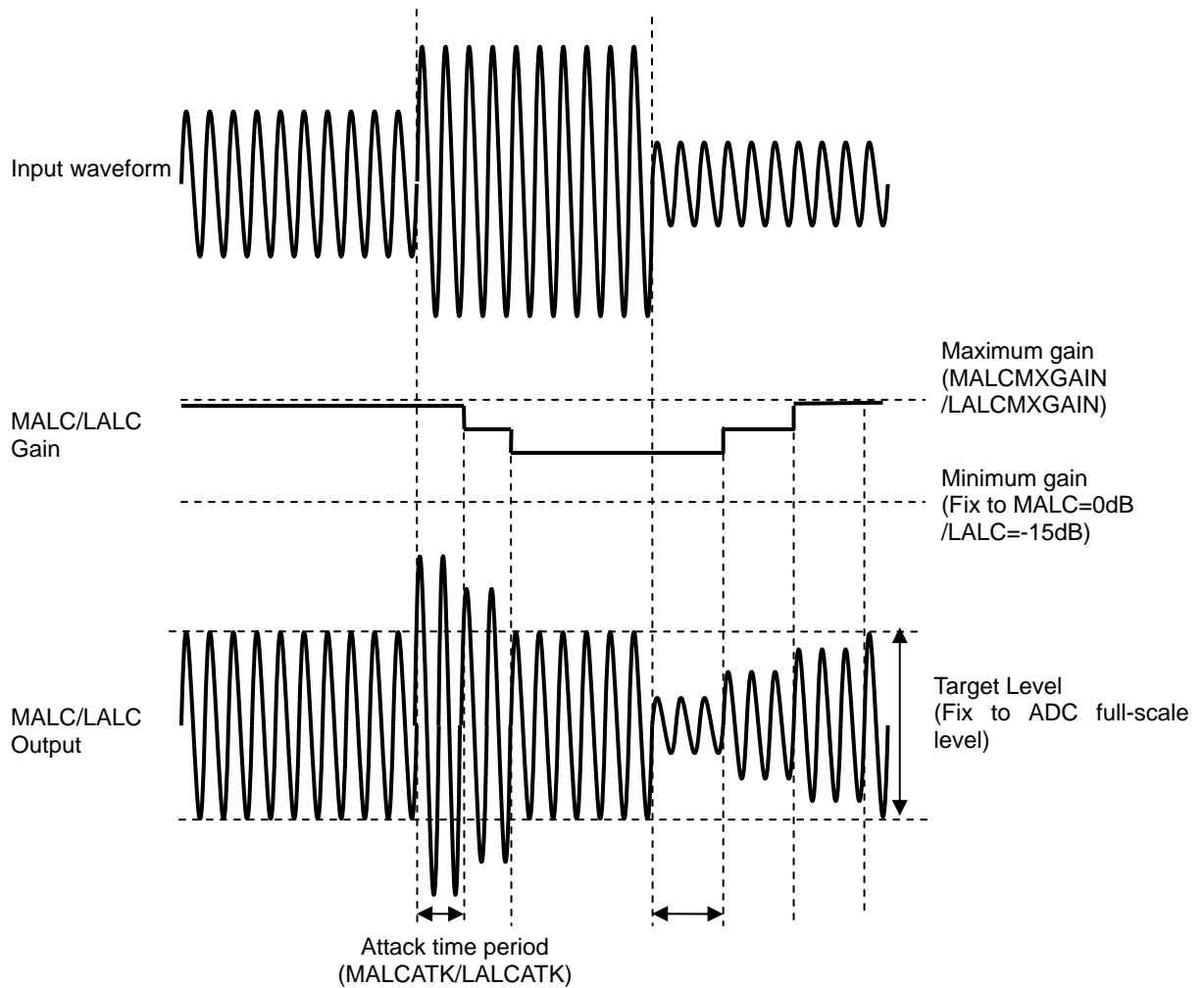


Figure 33.

Zero Cross

BU26156 combined Zerocross function for MALC, LALC. Zerocross is changed, when input waveform is crossed center level. In case of Zero Cross function is not occurred, BU26156 is changed gain after 2.7ms @Fs=48 kHz.

Clip reduction

Clip reduction function prevents clip waveform. When BU26156 is entered large waveform, BU26156 is shorted attack time. As result of this operation, output waveform is prevented clip waveform. When this function is enabled, attack time is fixed 2fs and zerocross is disabled. The difference between peak limiter and clip reduction is threshold and attacktime. Threshold of Clip deduction is ADC full scale level. Attack time of clip reduction is 2fs. It is possible to select ON/OFF register setting.

Soft clip limiter

Soft clip function is reduced power consumption. If ALC can not be responded to input waveform, soft clip function is reduced input waveform. In case of input waveform is overed threshold level, soft clip reduce output waveform.

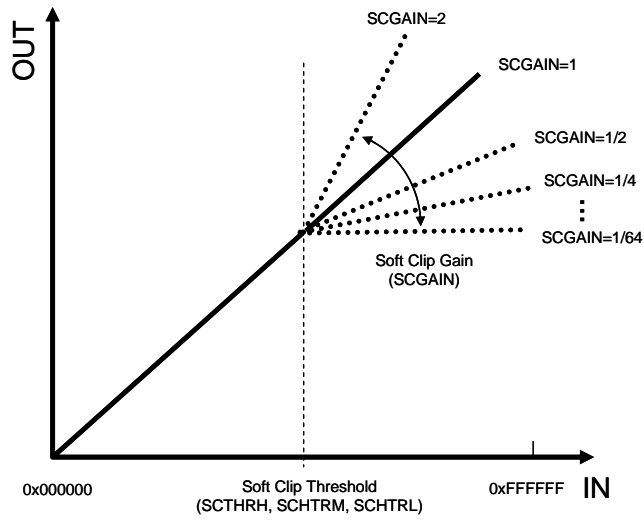


Figure 34.

Analog block

Analog Reference Voltage (VMID) Generation Circuit

VMID is used as analog circuit reference voltage for both recording path and playback path. Therefore, both case for recording and playback, VMID need to do power up. At the power up, the wait time in proportion to the capacitor value is needed to charge external capacitor connected with VMID pin. If recording and playback start before completion of charge, it may generate noise. The following is a sequence of recommendation. Refer to the Analog Reference Power Management Register for the function of VMIDCON.

VMID Power UP/DOWN Sequence (External capacitor 1uF)

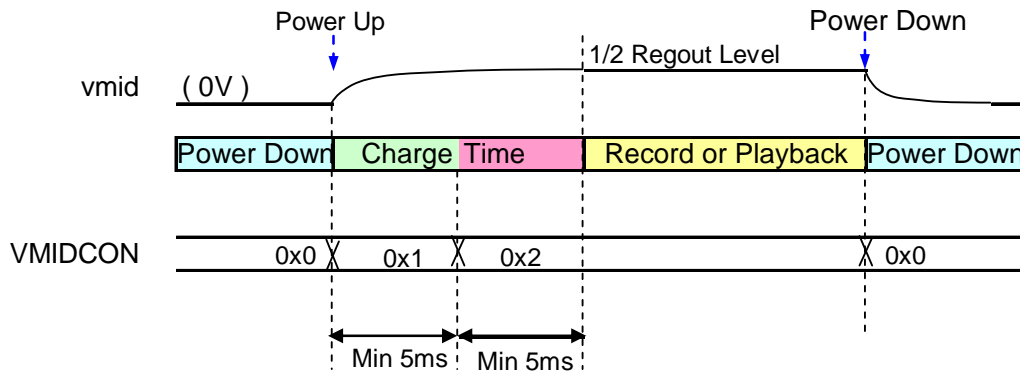


Figure 35.

Interrupt circuit

It is possible to check BU26156 operation by IRQ port. IRQ port polarity is changed by thermal protection operation and speaker short protection operation. It is possible to mask Interrupt function and select IRQ interrupt polarity. In case of BU26156 detects protection operation, BU26156 keeps interrupt status. In case of clear interrupt status, write to "1" to status register.

IRQB terminal outputs "L" level during RESETB equal "L" level (RESET state). Please mask IRQB signal in this period

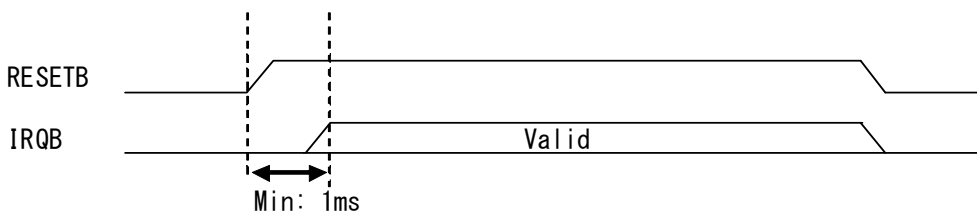


Figure 36.



## Detailed Description of the Registers

## Register map

Note: "-" indicates a reserved bit. They return "0" for reads. Write "0" to the bit every time. If "1" is written to this bit, the operations cannot be guaranteed.

Don't write the registers expect the map of below. If these register is written, the operations cannot be guaranteed.

## About the register initial setting after starting this IC

After starting register access, according to following procedures at start-up, access register.

Address (HEX)	Read/Write	Write Data (HEX)	Description
1c	Write	01	MAPCON 1
39	Write	00	For ADC parameter setting
3b	Write	01	For ADC / Mic parameter setting
3d	Write	02	For ADC parameter setting
1c	Write	00	MAPCON 0

It is available at the MAPCON=0x0(Register Map Control Register 0x1c/0x1d)  
 以下のレジスタは Register Map Control レジスタ (0x1c/0x1d) の MAPCON=0x0 のときにアクセス可能です。

INDEX		b07	b06	b05	b04	b03	b02	b01	b00	Register Name	Note	
R	W	(Initial)										
0x00	0x01	-	-	-	-	SR				Sampling Rate Setting		
0x06	0x07	-	STEGAIN								Stereo Gain	
0x08	0x09	IRQPOLE	-	-	-	-	SHLIREN	SHRIREN	THRIREN	IRQ control		
0x0a	0x0b	-	-	-	-	-	SHLSTS	SHRSTS	THRSTS	IRQ Status		
0x0c	0x0d	-	-	-	-	MCLKOE	PLL0E	PLLEN	MCLKEN	Clock Enable		
0x0e	0x0f	-	-	-	PLLISEL			CLKSEL		Clock Input/Output Control		
0x10	0x11	-	-	-	-	-	-	-	SOFRST	Software Reset		
0x12	0x13	-	-	-	-	-	REPLAY				Record/Playback Running Control	
0x14	0x15	-	-	MCTIME						Mic Input Charging Time		
0x1c	0x1d	-	-	-	-	-	-	-	MAPCON	RegisterMAP Control		
0x20	0x21	LOREN	LOLEN	LOSEL	-	-	MICBEN	VMIDCON		Analog Reference Power Management		
0x22	0x23	-	-	-	-	PGAEN	ADCREN	ADCLEN	LIEN	Analog Input Power Management		
0x24	0x25	-	-	-	-	-	DACREN	DACLEN	-	DAC Power Management		
0x26	0x27	-	-	-	-	-	SPDEN	SPABEN	SPMVEN	Speaker Amplifier Power Management		
0x2a	0x2b	TEST2	-	BP2SPEN	MV2SPEN	TEST1	TEST0	AMA		AM avoidance Control / SPAMP input Control		
0x2e	0x2f	-	-	-	-	-	-	ZCEN	-	Zero Cross Comparator Power Management		
0x30	0x31	-	-	-	BPINCON		TEST3	MICBCON18S		BEEPIN Amp Control / MICBIAS Voltage Control		
0x32	0x33	-	-	MXGAIN	LINMXEN	MICMXEN	LIN3EN	LIN2EN	LIN1EN	Line-In Control		
0x3a	0x3b	-	-	SPVOL						Speaker Amplifier Volume Control		
0x3e	0x3f	PDATT									Digital Attenuator Control	
0x48	0x49	-	-	-	-	-	-	AVMUTE	AVFADE	Amplifier Volume Control		
0x4a	0x4b	-	-	-	-	-	-	AVFCON		Amplifier Volume Fader Control		
0x4c	0x4d	PCMF024		FMTO	MSBO	ISSCKO	AFOO	DLYO	WSLO	SAI Transmitter Control		
0x4e	0x4f	PCMF124		FMTI	MSBI	ISSCKI	AFOI	DLYI	WSLI	SAI Receiver Control		
0x50	0x51	-	-	-	BSWP	-	-	-	MST	SAI Mode select		
0x52	0x53	-	-	-	-	-	-	SPMIXG		Speaker Amplifier output Control1		
0x54	0x55	-	-	-	-	LIN0E	MICOE	DACOE	LOMIXG	Speaker Amplifier / Lineout Amplifier output Control2		
0x58	0x59	-	-	OSRSEL		-	-	-	-	DAC Clock Setting		
0x5a	0x5b	-	-	-	-	-	-	MINDIF	-	Mic Interface Control		
0x5c	0x5d	SEMODE	-	-	-	-	-	SEMODE		Sound Effect Mode		
0x5e	0x5f	-	-	-	-	-	-	I2SR	I2SL	Record Path select		
0x60	0x61	RDVOL									Record Digital Attenuator Control	
0x62	0x63	Effect VOL									Playback Effect Volume Control	

INDEX		b07	b06	b05	b04	b03	b02	b01	b00	Register Name	Note		
R	W	(Initial)											
0x66	0x67	HPF2OD	EQ4EN	EQ3EN	EQ2EN	EQ1EN	EQ0EN	HPF2EN	HPF1EN	DSP Filter Function Enable			
		0	0	0	0	0	0	0	1				
0x68	0x69	-	-	-	DVMUTE	DVFADE	-	-	PALGEN	Digital Volume Control Function Enable			
		-	-	-	0	0	-	-	0				
0x6a	0x6b	DVFCON			RMCON		LMCON			Mixer & Volume Control			
		0	0	0	0	0	0	0	0				
0x74	0x75	EQGAIN0									EQ Band0 Gain Setting		
		1	1	1	0	0	1	1	1				
0x76	0x77	EQGAIN1									EQ Band1 Gain Setting		
		1	1	1	0	0	1	1	1				
0x78	0x79	EQGAIN2									EQ Band2 Gain Setting		
		1	1	1	0	0	1	1	1				
0x7a	0x7b	EQGAIN3									EQ Band3 Gain Setting		
		1	1	1	0	0	1	1	1				
0x7c	0x7d	EQGAIN4									EQ Band4 Gain Setting		
		1	1	1	0	0	1	1	1				
0x7e	0x7f	-	-	-	-	-	HPF2CUT			High Pass Filter2 Cut-off Control			
		-	-	-	-	-	0	0	0				
0x80	0x81	EQQA0L									Programable Equalizer Band0 Coefficient-a0 (L)		
		0	0	0	0	0	0	0	0				
0x82	0x83	EQQA0H									Programable Equalizer Band0 Coefficient-a0 (H)		
		0	0	0	0	0	0	0	0				
0x84	0x85	EQQA1L									Programable Equalizer Band0 Coefficient-a1 (L)		
		0	0	0	0	0	0	0	0				
0x86	0x87	EQQA1H									Programable Equalizer Band0 Coefficient-a1 (H)		
		0	0	0	0	0	0	0	0				
0x88	0x89	EQ1A0L									Programable Equalizer Band1 Coefficient-a0 (L)		
		0	0	0	0	0	0	0	0				
0x8a	0x8b	EQ1A0H									Programable Equalizer Band1 Coefficient-a0 (H)		
		0	0	0	0	0	0	0	0				
0x8c	0x8d	EQ1A1L									Programable Equalizer Band1 Coefficient-a1 (L)		
		0	0	0	0	0	0	0	0				
0x8e	0x8f	EQ1A1H									Programable Equalizer Band1 Coefficient-a1 (H)		
		0	0	0	0	0	0	0	0				
0x90	0x91	EQ2A0L									Programable Equalizer Band2 Coefficient-a0 (L)		
		0	0	0	0	0	0	0	0				
0x92	0x93	EQ2A0H									Programable Equalizer Band2 Coefficient-a0 (H)		
		0	0	0	0	0	0	0	0				
0x94	0x95	EQ2A1L									Programable Equalizer Band2 Coefficient-a1 (L)		
		0	0	0	0	0	0	0	0				
0x96	0x97	EQ2A1H									Programable Equalizer Band2 Coefficient-a1 (H)		
		0	0	0	0	0	0	0	0				
0x98	0x99	EQ3A0L									Programable Equalizer Band3 Coefficient-a0 (L)		
		0	0	0	0	0	0	0	0				
0x9a	0x9b	EQ3A0H									Programable Equalizer Band3 Coefficient-a0 (H)		
		0	0	0	0	0	0	0	0				
0x9c	0x9d	EQ3A1L									Programable Equalizer Band3 Coefficient-a1 (L)		
		0	0	0	0	0	0	0	0				
0x9e	0x9f	EQ3A1H									Programable Equalizer Band3 Coefficient-a1 (H)		
		0	0	0	0	0	0	0	0				
0xa0	0xa1	EQ4A0L									Programable Equalizer Band4 Coefficient-a0 (L)		
		0	0	0	0	0	0	0	0				
0xa2	0xa3	EQ4A0H									Programable Equalizer Band4 Coefficient-a0 (H)		
		0	0	0	0	0	0	0	0				
0xa4	0xa5	EQ4A1L									Programable Equalizer Band4 Coefficient-a1 (L)		
		0	0	0	0	0	0	0	0				
0xa6	0xa7	EQ4A1H									Programable Equalizer Band4 Coefficient-a1 (H)		
		0	0	0	0	0	0	0	0				
0xac	0xad	-	RALCVOL									Record ALC Volume Control	
		-	0	1	0	0	0	0	0				
0xae	0xaf	-	-	-	-	-	-	-	RPPL	RecPlay Play Limiter Enable			
		-	-	-	-	-	-	-	0				
0xb0	0xb1	-	-	-	-	-	-	-	SCEN	Soft Clip Enable			
		-	-	-	-	-	-	-	0				
0xb2	0xb3	-	SCTHRH									Soft Clip Threshold H	
		-	0	0	0	0	0	0	0				

INDEX		b07	b06	b05	b04	b03	b02	b01	b00	Register Name	Note	
R	W	(Initial)										
0xb4	0xb5	SCTHRM								Soft Clip Threshold M		
		0	0	0	0	0	0	0	0			
0xb6	0xb7	SCTHRL								Soft Clip Threshold L		
		0	0	0	0	0	0	0	0			
0xb8	0xb9	-	-	-	-	-	SCGAIN			Soft Clip Gain		
		-	-	-	-	-	0	0	1			
0xba	0xbb	-	-	-	-	-	-	MCLEN	MALCEN	MIC ALC Control		
		-	-	-	-	-	-	1	1			
0xbc	0xbd	-	MALCDCY			-	MALCATK			MIC ALC Attack /Decay Time		
		-	1	0	0	-	1	0	0			
0xbe	0xbf	-	-	MALCMXGAIN						MIC ALC Max Gain		
		-	-	0	1	0	0	0	0			
0xc4	0xc5	-	-	-	-	-	-	LCLEN	LALCEN	LINE ALC Control		
		-	-	-	-	-	-	0	0			
0xc6	0xc7	-	LALCDCY			-	LALCATK			LINE ALC Attack /Decay Time		
		-	1	1	1	-	1	0	0			
0xc8	0xc9	-	-	-	-	LALCMXGAIN					LINE ALC Max Gain	
		-	-	-	-	1	1	1	1			
0xdc	0xdd	-	-	-	-	PALCATK					Playback ALC Attack Time Control	note 1
		-	-	-	-	0	1	0	0			
0xde	0xdf	-	-	-	-	PALCDCY					Playback ALC Decay Time Control	note 1
		-	-	-	-	0	1	0	1			
0xe0	0xe1	-	-	-	PALCLVL						Playback ALC Target Level Control	note 1
		-	-	-	1	1	0	1	1			
0xe2	0xe3	-	-	-	-	PALCMINGAIN					Playback ALC Min Gain Control	note 1
		-	-	-	-	-	0	0	0			
0xe4	0xe5	-	PALCVOL						Playback ALC Volume Control	note 1		
		-	0	1	0	0	0	0	0			
0xe6	0xe7	-	-	-	-	-	PALCZCTM				Playback ALC ZeroCross TimeOut	note 1
		-	-	-	-	-	-	0	0			
0xea	0xeb	PALCFRTH				PALCFREN		-	PALCFRSP		Playback Limiter Fast Release Setting	note 1
		0	0	0	1	0	-	0	1			
0xec	0xed	-	-	LOPWTIM					-	-	HPOUT Power Up Control	
		-	-	0	0	0	0	-	-			

It is available at the MAPCON=0x1(Register Map Control Register 0x1c/0x1d)

INDEX		b07	b06	b05	b04	b03	b02	b01	b00	Register Name	Note	
R	W	(Initial)										
0x02	0x03	-	-	-	-	-	FPLLM			FPLL M setting		
		-	-	-	-	-	0	0	0			
0x04	0x05	FPLLNL								FPLL N Setting(L)		
		0	0	0	0	0	0	0	0			
0x06	0x07	-	-	-	-	-	-	-	FPLLNH	FPLL N Setting(H)		
		-	-	-	-	-	-	-	0			
0x08	0x09	-	-	-	FPLLD					FPLL D Setting		
		-	-	-	0	0	0	0	0			
0x0a	0x0b	FPLLFL								FPLL F Setting(L)		
		0	0	0	0	0	0	0	0			
0x0c	0x0d	FPLLFH								FPLL F Setting(H)		
		0	0	0	0	0	0	0	0			
0x0e	0x0f	FPLLFDL								FPLL F.D Setting(L)		
		0	0	0	0	0	0	0	0			
0x10	0x11	FPLLFDH								FPLL F.D Setting(H)		
		0	0	0	0	0	0	0	0			
0x12	0x13	-	-	-	-	FPLLV					FPLL V setting	
		-	-	-	-	0	0	0	0			
0x16	0x17	-	-	-	CPMODE	-	-	-	-	PLL CPMODE Setting		
		-	-	-	0	-	-	-	-			
0x1c	0x1d	-	-	-	-	-	-	-	MAPCON	RegisterMAP Control		
		-	-	-	-	-	-	-	0			
0x36	0x37	-	-	-	-	-	-	HPVOL		HP output Gain Setting		
		-	-	-	-	-	-	0	0			
0x3e	0x3f	-	-	HALF	HPBPEN	LINDACEN	ADCSET			Analog Path Control		
		-	-	1	0	0	1	1	1			
0x74	0x75	-	RBLVOLL								Record L Balance Volume Control	
		-	1	0	0	0	0	0	0			
0x76	0x77	-	RBLVOLR								Record R Balance Volume Control	
		-	1	0	0	0	0	0	0			
0x86	0x87	-	-	-	-	-	-	STEEN	STEOD	Stereo Enhancer Control		
		-	-	-	-	-	-	0	0			
0x88	0x89	STE1CUT[7:0]								Stereo Enhancer LPF1 CoefL		
		0	0	0	0	0	0	0	0			
0x8a	0x8b	STE1CUT[15:8]								Stereo Enhancer LPF1 CoefH		
		0	0	0	0	0	0	0	0			
0x8c	0x8d	STE2CUT[7:0]								Stereo Enhancer LPF2 CoefL		
		0	0	0	0	0	0	0	0			
0x8e	0x8f	STE2CUT[15:8]								Stereo Enhancer LPF2 CoefH		
		0	0	0	0	0	0	0	0			
0xa0	0xa1	-	-	-	-	-	-	PLPFOD	PLPFEN	Play Programable LPF Setting		
		-	-	-	-	-	-	0	0			
0xa2	0xa3	PLPFC0L								Play Programable LPF Coef (L)		
		0	0	0	0	0	0	0	0			
0xa4	0xa5	PLPFC0H								Play Programable LPF Coef (H)		
		0	0	0	0	0	0	0	0			
0xa6	0xa7	-	-	-	-	-	-	RLPFOD	RLPFEN	Rec Programable LPF Setting		
		-	-	-	-	-	-	0	0			
0xa8	0xa9	RLPFC0L								Rec Programable LPF Coef (L)		
		0	0	0	0	0	0	0	0			
0xaa	0xab	RLPFC0H								Rec Programable LPF Coef (H)		
		0	0	0	0	0	0	0	0			

Detailed Description of the Registers

Note: “-” indicates a reserved bit. They return “0” for reads. Write “0” to the bit every time. If “1” is written to this bit, the operations cannot be guaranteed.

Don't write the registers expect the map of below. If these register is written, the operations cannot be guaranteed.

“\*” indicates that the register value is effective immediate without internal clock.

Sampling Rate Setting Register

MAPCON	INDEX		b07 (Initial)	b06	b05	b04	b03	b02	b01	b00
	R	W								
0x0	0x00	0x01	-	-	-	-	SR			
			-	-	-	-	0	0	0	0

This register is to set the sampling rate of recording and playback. Please change this register value at recording and playback operation stop (\$12h/\$13h: RECPLAY=0h).

SR [3:0]

SR [3:0]	Description
0x0	8 kHz
0x1	11.025 kHz
0x2	12 kHz
0x3	16 kHz
0x4	22.05 kHz
0x5	24 kHz
0x6	32 kHz
0x7	44.1 kHz
0x8	48 kHz

Stereo Gain Register

MAPCON	INDEX		b07 (Initial)	b06	b05	b04	b03	b02	b01	b00
	R	W								
0x0	0x06	0x07	-	STEGAIN						
			-	0	1	0	0	0	0	0

This register is to set the amount of effects of stereo emphasis. Please refer to "StereoEnhancerApplicationNote" for the details of setting.

STEGAIN[3:0]

STEGAIN	Gain[times]	STEGAIN	Gain[times]	STEGAIN	Gain[times]	STEGAIN	Gain[times]
0x00	0.000	0x10	1.000	0x20	2.000	0x30	3.000
0x01	0.063	0x11	1.063	0x21	2.063	0x31	3.063
0x02	0.125	0x12	1.125	0x22	2.125	0x32	3.125
0x03	0.188	0x13	1.188	0x23	2.188	0x33	3.188
0x04	0.250	0x14	1.250	0x24	2.250	0x34	3.250
0x05	0.313	0x15	1.313	0x25	2.313	0x35	3.313
0x06	0.375	0x16	1.375	0x26	2.375	0x36	3.375
0x07	0.438	0x17	1.438	0x27	2.438	0x37	3.438
0x08	0.500	0x18	1.500	0x28	2.500	0x38	3.500
0x09	0.563	0x19	1.563	0x29	2.563	0x39	3.563
0x0A	0.625	0x1A	1.625	0x2A	2.625	0x3A	3.625
0x0B	0.688	0x1B	1.688	0x2B	2.688	0x3B	3.688
0x0C	0.750	0x1C	1.750	0x2C	2.750	0x3C	3.750
0x0D	0.813	0x1D	1.813	0x2D	2.813	0x3D	3.813
0x0E	0.875	0x1E	1.875	0x2E	2.875	0x3E	3.875
0x0F	0.938	0x1F	1.938	0x2F	2.938	0x3F	3.938

IRQ control Register

MAPCON	INDEX		b07 (Initial)	b06	b05	b04	b03	b02	b01	b00
	R	W								
0x0	0x08	0x09	IRQPOLE(*)	-	-	-	-	SHLIREN	SHRIREN	THRIREN
			0	-	-	-	-	0	0	0

This register controls the interrupt enable or disable.

THRIREN

This bit controls thermal error interrupt.

THRIREN	Description
0	If thermal error occurs, interrupt is not generated.
1	If thermal error occurs, interrupt is generated.

SHRIREN

This bit controls interrupt of left speaker short error.

SHRIREN	Description
0	If left speaker short error occurs, interrupt is not generated.
1	If left speaker short error occurs, interrupt is generated.

SHLIREN

This bit controls interrupt of right speaker short error.

SHLIREN	Description
0	If right speaker short error occurs, interrupt is not generated.
1	If right speaker short error occurs, interrupt is generated.

IRQPOLE

This bit specifies polarity of interrupt pin (IRQB).

IRQPOLE	Description
0	If interrupt occur, IRQB pin output L level.
1	If interrupt occur, IRQB pin output H level.

IRQ Status Register

MAPCON	INDEX		b07 (Initial)	b06	b05	b04	b03	b02	b01	b00
	R	W								
0x0	0x0a	0x0b	-	-	-	-	-	SHLSTS	SHRSTS	THRSTS
			-	-	-	-	-	0	0	0

This register can check the interrupt status. If writing "1", state is clearable.

THRSTS

This bit can check thermal error interrupt state.

THRSTS	Description
0	No thermal error.
1	Thermal error occurred.

SHRSTS

This bit can check left speaker short error interrupt status.

SHRSTS	Description
0	No left speaker short error.
1	Left speaker short error occurred.

SHLSTS

This bit can check right speaker short error interrupt status.

SHLSTS	Description
0	No right speaker short error.
1	Right speaker short error occurred.

Clock Enable Register

MAPCON	INDEX		b07 (Initial)	b06	b05	b04	b03	b02	b01	b00
	R	W								
0x0	0x0c	0x0d	-	-	-	-	MCLKOE(*)	PLLOE(*)	PLLEN(*)	MCLKEN(*)
			-	-	-	-	0	0	0	0

This register controls clock operation.

MCLKEN

This bit is to set the MCLKI pin enable or disable. A clock is not transmitted to an inside in case of the disable.

MCLKEN	Description
0	MCLKI pin input disabled. The clock stops at the first input buffer of the MCLKI pin.
1	MCLKI pin input enabled

PLLEN

This bit is to set the status of PLL.

PLLEN	Description
0	PLL power down
1	PLL power up

At the first, set PLL Setting registers. After that, set PLLEN bit to "1".

PLLOE

This bit is to set the status of PLL output. Set this bit to "1" after PLL operation has stabilized. Also, this bit must be set to "1" if PLL is not used, otherwise internal clock can not be provided.

PLLOE	Description
0	PLL output disable
1	PLL output enable

MCLKOE

This bit is to set the status of output signal from MCLKO pin.

MCLKOE	Description
0	Normally Operation
1	Prohibited



Clock Input/Output Control Register

MAPCON	INDEX		b07 (Initial)	b06	b05	b04	b03	b02	b01	b00
	R	W								
0x0	0x0e	0x0f	-	-	-	PLLISEL(*)		CLKSEL(*)		
			-	-	-	0	0	0	0	0

This register is to select internal clock. It is to use or not use and to create MCLKI input or internal clock divided PLL.

CLKSEL[2:0]

These bits are to select the internal clock.

CLKSEL[2:0]	Description
0x0	Use PLL output clock.(256fs)
0x2	Use PLL output clock.(512fs) PLL output clock is divided by 2 in the LSI.
0x3	Use PLL output clock.(1024fs) PLL output clock is divided by 4 in the LSI.
0x4	256fs external clock from MCLKI pin input. MCLKI pin input is directly used in the LSI.
0x6	512fs external clock from MCLKI pin input. MCLK pin input is divided by 2 in the LSI.
0x7	1024fs external clock from MCLKI pin input. MCLK pin input is divided by 4 in the LSI.

PLLISEL[1:0]

This bit is to select the input clock to Audio PLL. If not use PLL, it is to set 0x0.

PLLISEL[1:0]	Description
0x0	Use LRCLK input pin
0x1	Use MCLKI input pin
0x2	Use BCLK input pin

Software Reset Register

MAPCON	INDEX		b07 (Initial)	b06	b05	b04	b03	b02	b01	b00
	R	W								
0x0	0x10	0x11	-	-	-	-	-	-	-	SOFTRST(*)
			-	-	-	-	-	-	-	0

This register is for software reset. CPU interface and this register are reset by writing SOFTRST bit to "1". And then, write "0" for releasing reset.

Record/Playback Running Control Register

MAPCON	INDEX		b07 (Initial)	b06	b05	b04	b03	b02	b01	b00
	R	W								
0x0	0x12	0x13	-	-	-	-	-	RECPLAY		
			-	-	-	-	-	0	0	0

This register controls SAI input/output for ADC and DAC.

RECPLAY[2:0]

This bit controls SAI input/output for ADC and DAC. ADC and DAC can be executed at same time. ADC output data can be directly outputted to DAC path. And about the transition of SAI input/output for ADC and DAC, please refer to Chapter “State Transition about Sound Control”. It is prohibited the other direct transition. So it is recommended that transition may be changed via Sound Stop (RECPLAY=0x0).

RECPLAY[2:0]	Description
0x0	SAI input/output for ADC and DAC stop state
0x1	ADC enable, SAI output state Analog input (Microphone/Line) is converted from analog to digital, and transferred through SAI.
0x2	DAC enable, SAI input state. SAI received data is converted from digital to analog and output from analog output path (Speaker/Headphone Output).
0x3	ADC enable, SAI output state and DAC enable, SAI input state. Analog input (Microphone/Line) is converted from analog to digital, and transferred through SAI and SAI received data is converted from digital to analog and output from analog output path (Speaker/Headphone Output).
0x7	ADC enable, SAI output state and DAC enable state. Analog input (Microphone/Line) input is converted from analog to digital, and transferred through SAI and this data is converted from digital to analog and output from analog output path (Speaker/Headphone Output).

Mic Input Charging Time Register

MAPCON	INDEX		b07 (Initial)	b06	b05	b04	b03	b02	b01	b00
	R	W								
0x0	0x14	0x15	-	-	MCTIME					
			-	-	0	0	0	0	0	0

This register is to select the wait time for microphone input load charge. The LSI work recording signal are mute when from RECPLAY is changed from 0x0 until MCTIME. This time contains required time of initializing internal circuit that is 40/fs. It must be waited the setting time to start recording or playback. In addition the wait time at starting playback is always 40/fs regardless of the setting value of this register.

MCTIME[5:0]

These bits are to set the wait time for Mic input charging time at starting recording. The wait time is available 40/fs and 128/fs to 8064/fs every 128fs. According to following table, this time is proportional to sampling frequency (fs).

MCTIME[5:0]	fs equivalent	Time(fs=48kHz)
0x00	40/fs	0.8ms
0x01	128/fs	2.7ms
0x02	256/fs	5.3ms
0x03	384/fs	8.0ms
0x04 - 0x3D	(128/fs / step)	:
0x3E	7936/fs	165.3ms
0x3F	8064/fs	168.0ms

Note) the wait time for microphone input load charge

The wait time can be optionally to set with Mic Input Charging Time register. It is a recommended value of MIN1 coupling capacitor at the charge time.

Charge time

Capacity of Capacitor	Charge time (minimum)	MCTIME setting time (fs=48kHz)
0.1µF	16ms	0x09
0.22µF	36ms	0x14

\* Charge time is proportional to Capacity of Capacitor.

Register MAP Control Register

MAPCON	INDEX		b07 (Initial)	b06	b05	b04	b03	b02	b01	b00
	R	W								
ALL	0x1c	0x1d	-	-	-	-	-	-	-	MAPCON(*)
			-	-	-	-	-	-	-	0

MAPCON

The register is to set register map. Please refer register map about the map of the changing object.

MAPCON	Description
0	Register MAP0 access enable
1	Register MAP1 access enable

## Analog Reference Power Management Register

MAPCON	INDEX		b07 (Initial)	b06	b05	b04	b03	b02	b01	b00
	R	W								
0x0	0x20	0x21	LOREN	LOLEN	LOSEL	-	-	MICBEN	VMIDCON(*)	
			0	0	0	-	-	0	0	0

This register controls power up and down of the Headphone Output amplifier and the analog reference voltage generation circuit.

## VMIDCON[1:0]

These bits control power up and down of the VMID generation circuit. Power up time can be reduced by using high speed power up mode. VMID generation circuit should be changed to normal mode after power up is completed. About the timing of setting, please refer to the section of "Analog Reference Voltage (VMID) generation circuit".

VMIDCON[1:0]	Description
0x0	VMID generation circuit power down
0x1	VMID generation circuit power up high speed power up mode
0x2	VMID generation circuit power up normal mode

## MICBEN

This bit controls power up and down of the MICBIAS generation circuit.

MICBEN	Description
0	MICBIAS generation circuit power down
1	MICBIAS generation circuit power up

## LOSEL

This bit specify input path to Headphone Output amplifier. It is available DAC output or SPVOL output.

LOSEL	Description
0	DAC output is directly outputted from HPOUT.
1	DAC output is outputted from HPOUT through SPVOL block.

## LOLEN

This bit controls HPOUT left output enable or disable.

LOLEN	Description
0	HPOUT left output disabled
1	HPOUT left output enabled

## LOREN

This bit controls HPOUT right output enable or disable.

LOREN	Description
0	HPOUT right output disabled
1	HPOUT right output enabled

Analog Input Power Management Register

MAPCON	INDEX		b07 (Initial)	b06	b05	b04	b03	b02	b01	b00
	R	W								
0x0	0x22	0x23	-	-	-	-	PGAEN(*)	ADCREN	ADCLEN	LIEN
			-	-	-	-	0	0	0	0

This register controls power up and down of the input part of the analog circuit.

LIEN

This bit controls power up and down of the Line input amplifier.

LIEN	Description
0	Line input amplifier power down
1	Line input amplifier power up

This LSI charge the coupling capacitor of LIN pins, when LIEN bit is changed from 0 to 1. This period's time is counted by master clock which is between about 97ms and about 142ms. In this period, the output path of LINVOL amplifier is open, so input signal is muted for next part amplifier. It does n't depend on LIN1EN,LIN2EN,LIN3EN,LINMXEN and MICMXEN registers.

\*Pleas set this register to "1" at MIC recording.

ADCLEN

This bit controls power up and down of the ADC left.

ADCLEN	Description
0	ADC left power down
1	ADC left power up

ADCREN

This bit controls power up and down of the ADC right.

ADCREN	Description
0	ADC right power down
1	ADC right power up

PGAEN

This bit controls power up and down of the MIC input amplifier.

PGAEN	Description
0	Mic input amplifier power down
1	Mic input amplifier power up

DAC Power Management Register

MAPCON	INDEX		b07 (Initial)	b06	b05	b04	b03	b02	b01	b00
	R	W								
0x0	0x24	0x25	-	-	-	-	-	DACREN	DACLEN	-
			-	-	-	-	-	0	0	-

This register controls power up and down of the DAC

DACLEN

This bit controls power ON and OFF of the DAC left

DACLEN	Description
0	DAC left power down
1	DAC left power up

DACREN

This bit controls power ON and OFF of the DAC right

DACREN	Description
0	DAC right power down
1	DAC right power up

Speaker Amplifier Power Management Register

MAPCON	INDEX		b07 (Initial)	b06	b05	b04	b03	b02	b01	b00
	R	W								
0x0	0x26	0x27	-	-	-	-	-	SPDEN	SPABEN	SPMVEN
			-	-	-	-	-	0	0	0

This register controls power up and down of the speaker amplifier and volume amplifier.

SPMVEN

This bit controls power up and down of the MIXVOL (MIXER and SPVOL volume) block.

SPMVEN	Description
0	MIXVOL block power down
1	MIXVOL block power up

SPABEN

This bit controls power up and down of the Class-AB speaker amplifier.

SPABEN	Description
0	Class-AB speaker amplifier power down
1	Class-AB speaker amplifier power up

SPDEN

This bit controls power up and down of the Class-D speaker amplifier.

SPDEN	Description
0	Class-D speaker amplifier power down
1	Class-D speaker amplifier power down

\*If SPABEN and SPDEN are set to 1 at once, SPABEN is effective.

## AM avoidance Control / SPAMP input Control Register

MAPCON	INDEX		b07 (Initial)	b06	b05	b04	b03	b02	b01	b00
	R	W								
0x0	0x2a	0x2b	TEST2	-	BP2SPEN	MV2SPEN	TEST1	TEST0	AMA	
			0	-	0	1	1	1	1	1

This register controls input path of speaker amplifier, select operation frequency of Class-D speaker amplifier, and for shipment test.

## AMA

This bits control operation frequency of Class-D speaker amplifier by AM avoidance function.

AMA[1:0]	Description
0x0	700kHz
0x1	600kHz
0x2	500kHz
0x3	400kHz

## TEST0

This bit is for shipment test. Don't change from initial value.

TEST0	Description
1	Test register. Use by 1

## TEST1

This bit is for shipment test. Don't change from initial value.

TEST1	Description
1	Test register. Use by 1

## MV2SPEN

This bit controls the input signal of speaker amplifier from mixer volume.

MV2SPEN	Description
0	Don't input the signal from mixer volume to speaker amplifier.
1	Input the signal from mixer volume to speaker amplifier.

## BP2SPEN

This bit controls the input signal of speaker amplifier from mixer volume.

BP2SPEN	Description
0	Don't input the signal from BEEPIN amplifier to speaker amplifier.
1	Input the signal from BEEPIN amplifier to speaker amplifier.

## TEST2

This bit is for shipment test. Don't change from initial value.

TEST2	Description
0	Test register. Use by 0.

Zero Cross Comparator Power Management Register

MAPCON	INDEX		b07 (Initial)	b06	b05	b04	b03	b02	b01	b00
	R	W								
0x0	0x2e	0x2f	-	-	-	-	-	-	ZCEN	-
			-	-	-	-	-	-	0	-

This register is to set ON and OFF of zerocross function about refreshing PLAYVOL setting by PALC controller.

ZCEN

The zero cross is applied to refreshing PLAYVOL settings when zero cross detection operation is effective.

ZCEN	Description
0	Zerocross detection operation is invalid. The gain setting of PLAYVOL is immediately reflected when the settings are changed.
1	Zerocross detection operation is effective. The gain setting of PLAYVOL is reflected after zerocross detection.

BEEPIN Amp Control / MICBIAS Voltage Control Register

MAPCON	INDEX		b07 (Initial)	b06	b05	b04	b03	b02	b01	b00
	R	W								
0x0	0x30	0x31	-	-	-	BPINCON		TEST3	MICBCON18S	
			-	-	-	0	0	1	0	0

This register controls voltage value of microphone bias, and controls BEEPIN amplifier and for shipment test.

MICBCON18S[1:0]

These bits are to set the MICBIAS. Set the MICBIAS voltage less than HVDD x 0.85.

MICBCON18S	Output Voltage (the case of REGOUT =1.8V)
0x0	1.50V
0x1	2.00V
0x2	2.50V
0x3	3.00V

TEST3

This bit is for shipment test. Don't change from initial value.

TEST3	Description
1	Test register. Use by 1

BPINCON[1:0]

These bits

BPINCON	Output Voltage (the case of REGOUT =1.8V)
0x0	BEEPIN amplifier power down
0x1	Prohibited
0x2	BEEPIN amplifier power up at normal mode
0x3	BEEPIN amplifier power up at high speed power up mode



## Line-In Control Register

MAPCON	INDEX		b07 (Initial)	b06	b05	b04	b03	b02	b01	b00
	R	W								
0x0	0x32	0x33	-	-	MXGAIN	LINMXEN	MICMXEN	LIN3EN	LIN2EN	LIN1EN
			-	-	0	1	0	0	0	1

This register controls the operation of Line input amplifier path and Mixer (LineMix)

## LIN1EN

LIN1EN	Description
0	Line input amplifier LIN1 path is OFF
1	Line input amplifier LIN1 path is ON

## LIN2EN

LIN2EN	Description
0	Line input amplifier LIN2 path is OFF
1	Line input amplifier LIN2 path is ON

## LIN3EN

LIN3EN	Description
0	Line input amplifier LIN3 path is OFF
1	Line input amplifier LIN3 path is ON

## MICMXEN

MICMXEN	Description
0	Mixing of MIC path in LineMix is OFF
1	Mixing of MIC path in LineMix is ON

## LINMXEN

LINMXEN	Description
0	Mixing of LIN path in LineMix is OFF
1	Mixing of LIN path in LineMix is ON

## MXGAIN

MXGAIN	Description
0	Mixing Gain in LineMix is 0dB
1	Mixing g Gain in LineMix is -6dB

## Speaker Amplifier Volume Control Register

MAPCON	INDEX		b07 (Initial)	b06	b05	b04	b03	b02	b01	b00
	R	W								
0x0	0x3a	0x3b	-	-	SPVOL					
			-	-	1	1	0	0	1	1

This register is to set the Mixvol volume Gain.

## SPVOL[5:0]

SPVOL[5:0]	Gain[dB]	MEMO	Value	Gain[dB]	MEMO
0x3F	6.0	↓0.5dB step	0x1F	-14.0	
0x3E	5.5		0x1E	-15.0	
0x3D	5.0		0x1D	-16.0	
0x3C	4.5		0x1C	-17.0	
0x3B	4.0		0x1B	-18.0	
0x3A	3.5		0x1A	-19.0	
0x39	3.0		0x19	-20.0	
0x38	2.5		0x18	-21.0	
0x37	2.0		0x17	-22.0	
0x36	1.5		0x16	-23.0	
0x35	1.0		0x15	-24.0	
0x34	0.5		0x14	-25.0	
0x33	0.0		0x13	-26.0	
0x32	-0.5		0x12	-27.0	
0x31	-1.0		0x11	-28.0	
0x30	-1.5		0x10	-29.0	
0x2F	-2.0		0x0F	-30.0	
0x2E	-2.5		0x0E	-31.0	
0x2D	-3.0		0x0D	-32.0	↓2dB step
0x2C	-3.5		0x0C	-34.0	
0x2B	-4.0		0x0B	-36.0	
0x2A	-4.5		0x0A	-38.0	
0x29	-5.0		0x09	-40.0	
0x28	-5.5		0x08	-42.0	
0x27	-6.0		0x07	-44.0	
0x26	-7.0	↓1dB step	0x06	-46.0	
0x25	-8.0		0x05	-48.0	
0x24	-9.0		0x04	-50.0	
0x23	-10.0		0x03	-52.0	
0x22	-11.0		0x02	-54.0	
0x21	-12.0		0x01	-56.0	
0x20	-13.0		0x00	MUTE	

Playback Digital Attenuator Control Register

Playback Digital Attenuator Control Register											
MAPCON	INDEX		b07 (Initial)	b06	b05	b04	b03	b02	b01	b00	
	R	W									
0x0	0x3e	0x3f	PDATT								
			1	1	1	1	1	1	1	1	

This register is to set the digital VolumeGain on DAC path.  
It is available MUTE and -71.5dB to 0.5dB every 0.5dB.

PDATT[7:0]

These bits are to set PLAYDATT : digital VolumeGain.

PDATT[7:0]	Gain[dB]	Value	Gain[dB]	Value	Gain[dB]	Value	Gain[dB]
0x00 to 0x6E	Prohibited	0x93	-54.0	0xB8	-35.5	0xDD	-17.0
0x6F	MUTE	0x94	-53.5	0xB9	-35.0	0xDE	-16.5
0x70	-71.5	0x95	-53.0	0xBA	-34.5	0xDF	-16.0
0x71	-71.0	0x96	-52.5	0xBB	-34.0	0xE0	-15.5
0x72	-70.5	0x97	-52.0	0xBC	-33.5	0xE1	-15.0
0x73	-70.0	0x98	-51.5	0xBD	-33.0	0xE2	-14.5
0x74	-69.5	0x99	-51.0	0xBE	-32.5	0xE3	-14.0
0x75	-69.0	0x9A	-50.5	0xBF	-32.0	0xE4	-13.5
0x76	-68.5	0x9B	-50.0	0xC0	-31.5	0xE5	-13.0
0x77	-68.0	0x9C	-49.5	0xC1	-31.0	0xE6	-12.5
0x78	-67.5	0x9D	-49.0	0xC2	-30.5	0xE7	-12.0
0x79	-67.0	0x9E	-48.5	0xC3	-30.0	0xE8	-11.5
0x7A	-66.5	0x9F	-48.0	0xC4	-29.5	0xE9	-11.0
0x7B	-66.0	0xA0	-47.5	0xC5	-29.0	0xEA	-10.5
0x7C	-65.5	0xA1	-47.0	0xC6	-28.5	0xEB	-10.0
0x7D	-65.0	0xA2	-46.5	0xC7	-28.0	0xEC	-9.5
0x7E	-64.5	0xA3	-46.0	0xC8	-27.5	0xED	-9.0
0x7F	-64.0	0xA4	-45.5	0xC9	-27.0	0xEE	-8.5
0x80	-63.5	0xA5	-45.0	0xCA	-26.5	0xEF	-8.0
0x81	-63.0	0xA6	-44.5	0xCB	-26.0	0xF0	-7.5
0x82	-62.5	0xA7	-44.0	0xCC	-25.5	0xF1	-7.0
0x83	-62.0	0xA8	-43.5	0xCD	-25.0	0xF2	-6.5
0x84	-61.5	0xA9	-43.0	0xCE	-24.5	0xF3	-6.0
0x85	-61.0	0xAA	-42.5	0xCF	-24.0	0xF4	-5.5
0x86	-60.5	0xAB	-42.0	0xD0	-23.5	0xF5	-5.0
0x87	-60.0	0xAC	-41.5	0xD1	-23.0	0xF6	-4.5
0x88	-59.5	0xAD	-41.0	0xD2	-22.5	0xF7	-4.0
0x89	-59.0	0xAE	-40.5	0xD3	-22.0	0xF8	-3.5
0x8A	-58.5	0xAF	-40.0	0xD4	-21.5	0xF9	-3.0
0x8B	-58.0	0xB0	-39.5	0xD5	-21.0	0xFA	-2.5
0x8C	-57.5	0xB1	-39.0	0xD6	-20.5	0xFB	-2.0
0x8D	-57.0	0xB2	-38.5	0xD7	-20.0	0xFC	-1.5
0x8E	-56.5	0xB3	-38.0	0xD8	-19.5	0xFD	-1.0
0x8F	-56.0	0xB4	-37.5	0xD9	-19.0	0xFE	-0.5
0x90	-55.5	0xB5	-37.0	0xDA	-18.5	0xFF	0.0 Prohibited
0x91	-55.0	0xB6	-36.5	0xDB	-18.0		
0x92	-54.5	0xB7	-36.0	0xDC	-17.5		

\*Set 0xFF is prohibited. It has possibilities that DAC output waveform has distorted.

Amplifier Volume Control Function Enable Register

MAPCON	INDEX		b07 (Initial)	b06	b05	b04	b03	b02	b01	b00
	R	W								
0x0	0x48	0x49	-	-	-	-	-	-	AVMUTE	AVFADE
			-	-	-	-	-	-	0	0

This register is to set the Mixvol volume fade function and mute function.

AVFADE

This bit is to set the ON and OFF of the Mixvol volume fade function.

AVFADE	Description
0	Fade function OFF The register setting value of SPVOL is used actual volume value as it is. Therefore the value is effective immediate.
1	Fade function ON The volume is changing to the register setting value of SPVOL with 1 step per AVFCON register step time.

AVMUTE

This bit is to set the volume to the mute state. The fade function by AVFADE is effective against the volume change by this bit. And MixVol Volume value by SPVOL is held and return to setting Volume on release AVMUTE

Value	Description
0	MixVol volume is set to MUTE OFF. Register value of SPVOL is effective for MixVol volume.
1	MixVol volume is set to MUTE. Register value of SPVOL cannot be changed by this bit, the volume is resumed by releasing this bit (AVMUTE=0) to the original setting value of SPVOL.

\* Related Register

SPVOL: MixVolVolume Control Register (0x3a/0x3b)

AVFCON: MixVol Volume Fader Control Register (0x4a/0x4b)

Amplifier Volume Fader Control Register

MAPCON	INDEX		b07 (Initial)	b06	b05	b04	b03	b02	b01	b00
	R	W								
0x0	0x4a	0x4b	-	-	-	-	-	AVFCON		
			-	-	-	-	-	0	0	0

This register controls the MixVol volume fade function.

AVFCON[2:0]

These bits are to set the volume change step time of the MixVol volume fade function. The volume changes step by step with this setting period. Step time is in proportion to sampling frequency (fs) as following table.

AVFCON[2:0]	fs equivalent	Time(fs=48kHz)
0x0	1/fs	20.8µs
0x1	4/fs	83.3µs
0x2	16/fs	333µs
0x3	64/fs	1.33ms
0x4	256/fs	5.33ms
0x5	1024/fs	21.3ms
0x6	4096/fs	85.3ms
0x7	16384/fs	341.ms

## SAI Transmitter Control Register

MAPCON	INDEX		b07 (Initial)	b06	b05	b04	b03	b02	b01	b00
	R	W								
0x0	0x4c	0x4d	PCMFO24	FMT0	MSBO	ISSCKO	AFOO	DLYO	WSLO	
			1	1	0	0	0	0	0	0

This register controls the SAI transmit format setting. This register setting must not be changed during SAI operation. Set this register as same as SAI Receiver Control Register.

## WSLO

This bit specifies the LRCLK polarity at this LSI's transmission. This bit must be set at "1" when the Flame synchronous transfer mode (FMT0 is "1").

WSLO	Description
0	Left channel transmission at LRCLK is "L" level; right channel transmission at LRCLK is "H" level.
1	Left channel transmission at LRCLK is "H" level; right channel transmission at LRCLK is "L" level.

## DLYO

This bit specifies the existence for serial output data one clock delay of master device.

DLYO	Description
0	Serial data delay exists
1	No serial data delay

## AFOO

This bit specifies left-justify or right-justify. In case of the slave mode, this bit is ignored and fixed at left-justify. This bit must be set at "0" when the Flame synchronous transfer mode (FMT0 is "1").

AFOO	Description
0	Left-justify
1	Right-justify

## ISSCKO

This bit specifies 32fs or 64fs.

ISSCKO	Description
0	32fs
1	64fs

## MSBO

This bit specifies MSB-first or LSB-first of the SAI transmission data.

MSBO	Description
0	MSB-first
1	LSB-first

## FMT0

This bit specifies transmission mode.

FMT0	Description
0	SAI_LRCLK transfer mode
1	Flame synchronous transfer mode

## PCMFO24

This bit specifies PCM format of SAI transmission data.

PCMFO24	Description
0x2	16bit PCM
0x3	24bit PCM
Other	Prohibited

SAI Receiver Control Register

SAI Receiver Control Register										
MAPCON	INDEX		b07 (Initial)	b06	b05	b04	b03	b02	b01	b00
	R	W								
0x0	0x4e	0x4f	PCMF124	FMTI	MSBI	ISSCKI	AFOI	DLYI	WSLI	
			1	1	0	0	0	0	0	0

This register controls the setting for the SAI receive format. Do not change this register during operation of the SAI. Set this register as same as SAI Transmitter Control Register.

WSLI

This bit is to select LRCLK polarity of this LSI. This bit must be set at "1" when the Flame synchronous transfer mode (FMTI is "1").

WSLI	Description
0	LEFT channel is received when LRCLK is "L" level, right channel is received at LRCLK is "H" level.
1	LEFT channel is received when LRCLK is "H" level, right channel is received at LRCLK is "L" level.

DLYI

This bit specifies the existence for serial input data one clock delay of master device.

DLYI	Description
0	Serial data delay exists
1	No serial data delay

AFOI

This bit specifies the receiving data of Left-justify or Right-justify. This bit must be set at "0" when the Flame synchronous transfer mode (FMTI is "1").

AFOI	Description
0	Left-justify
1	Right-justify

ISSCKI

This bit specifies the sampling frequency of SAI\_BCLK pin.

ISSCKI	Description
0	32fs
1	64fs

MSBI

This bit specifies the SAI receiving data of MSB-first or LSB-first.

Value	Description
0	MSB-first
1	LSB-first

FMTI

This bit specifies the receiving mode

FMTI	Description
0	LRCLK transfer mode
1	Flame synchronous transfer mode

PCMF124

This bit specifies the PCM format of SAI receiving.

Value	Description
0x2	16bit PCM
0x3	24bit PCM
other	Prohibited

SAI Mode select Register

MAPCON	INDEX		b07 (Initial)	b06	b05	b04	b03	b02	b01	b00
	R	W								
0x0	0x50	0x51	-	-	-	BSWP	-	-	-	MST(*)
			-	-	-	0	-	-	-	0

This register is to set master mode or slave mode of the SAI. Do not change this register during SAI operation.

MST

This bit use by 0.

MST	Description
0	Slave mode

BSWP

This bit is selected of the SAI output data format.

BSWP	Description
0	SAI output data format (16bit Audio Data:15bit-8bit,7bit-0bit) (24bit Audio Data:23bit-16bit,15bit-8bit,7bit-0bit)
1	SAI output data format (16bit Audio Data:7bit-0bit,15bit-8bit) (24bit Audio Data:7bit-0bit,15bit-8bit 23bit-16bit)

Speaker Amplifier output Control1 Register

MAPCON	INDEX		b07 (Initial)	b06	b05	b04	b03	b02	b01	b00
	R	W								
0x0	0x52	0x53	-	-	-	-	-	-	SPMIXG	
			-	-	-	-	-	-	0	0

This register sets the gain of the speaker amplifier.

SPMIXG[1:0]

This bits sets the gain of the speaker amplifier.

SPMIXG	Description
0	0dB
1	6dB
2	12dB
3	18dB

Speaker Amplifier / Lineout Amplifier output Control2 Register

MAPCON	INDEX		b07 (Initial)	b06	b05	b04	b03	b02	b01	b00
	R	W								
0x0	0x54	0x55	-	-	-	-	LINOE	MICOE	DACOE	LOMIXG
			-	-	-	-	0	0	0	0

This register sets the input signal path to a MixVol part mixer

LOMXG

This sets a mixing gain of the DAC output and the MIC output.  
The Line-input is 0dB fix.

LOMXG	Description
0	The amplitude of a DAC output and the MIC output is added to MIXVOL in 0dB.
1	The amplitude of a DAC output and the MIC output is added to MIXVOL in -6dB.

DACOE

DACOE	Description
0	The connection of DAC and MIXVOL is disable
1	The connection of DAC and MIXVOL is enable

MICOE

MICOE	Description
0	The connection of MIC-input and MIXVOL is disable
1	The connection of MIC-input and MIXVOL is enable

LINOE

LINOE	Description
0	The connection of Line-input and MIXVOL is disable
1	The connection of Line-input and MIXVOL is enable

DAC Clock Setting Register

MAPCON	INDEX		b07 (Initial)	b06	b05	b04	b03	b02	b01	b00
	R	W								
0x0	0x58	0x59	-	-	OSRSEL		-	-	-	-
			-	-	0	0	-	-	-	-

This register performs clock setting to use in DAC

OSRSEL[1:0]

PLL use or nonuse	CLKSEL	Sampling Frequency		
		8kHz 11.025kHz 12kHz	16kHz 22.05kHz 24kHz	32kHz 44.1kHz 48kHz
PLL use	0x0	Prohibited	Prohibited	0x00
	0x2	Prohibited	0x10	Prohibited
	0x3	0xe0	Prohibited	Prohibited
PLL not use (MCLKI input)	0x4	Prohibited	0x10	0x00
	0x6	0xa0	0x10	0x00
	0x7	0xe0	0x10	0x00



Mic Interface Control Register

MAPCON	INDEX		b07 (Initial)	b06	b05	b04	b03	b02	b01	b00
	R	W								
0x0	0x5a	0x5b	-	-	-	-	-	-	MINDIF(*)	-
			-	-	-	-	-	-	1	-

This register controls microphone input interface.

MINDIF

MINDIF	Description
0	Use analog microphone as single-ended input.
1	Use analog microphone as differential input.

Sound Effect Mode Register

MAPCON	INDEX		b07 (Initial)	b06	b05	b04	b03	b02	b01	b00
	R	W								
0x0	0x5c	0x5d	SEMODE	-	-	-	-	SEMODE		
			0	-	-	-	-	0	0	0

This register sets the filter block

SEMODE[7]

BU26156 can use the filter block in ADC path or DAC path. Filter Block can set on only ADC path or DAC path.

Please refer "Single flow section on Function Description about Filter Block.

SEMODE[7]	Description
0	use Filter Block in Recording
1	use Filter Block in Playback

SEMODE[2:0]

This chooses the number of the Filter bands

SEMODE[2:0]	Description
0x0	Notch5 band / EQ0 band
0x1	Notch4 band / EQ1 band
0x2	Notch3 band / EQ2 band
0x3	Notch2 band / EQ3 band
0x4	Notch1 band / EQ4 band
0x5	Notch0 band / EQ5 band

Record Path select Register

MAPCON	INDEX		b07 (Initial)	b06	b05	b04	b03	b02	b01	b00
	R	W								
0x0	0x5e	0x5f	-	-	-	-	-	MONOREC	I2SR	I2SL
			-	-	-	-	-	0	0	0

This register is to control recording path.

In case of changing this register setting, you must stop this LSI by RECPLAY bit in Record/Playback Running Control Register. A setup of I2SL=1 and I2SR=1 is prohibition.

I2SL

This bit is to select the path to Left channel of SAI transmit data.

I2SL	Description
0	SAI left channel data is from left channel analog microphone input.
1	SAI left channel data is from right channel analog microphone input.

I2SR

This bit is to select the path to Right channel of SAI transmit data.

I2SR	Description
0	SAI right channel data is from right channel analog microphone input.
1	SAI right channel data is from left channel analog microphone input.

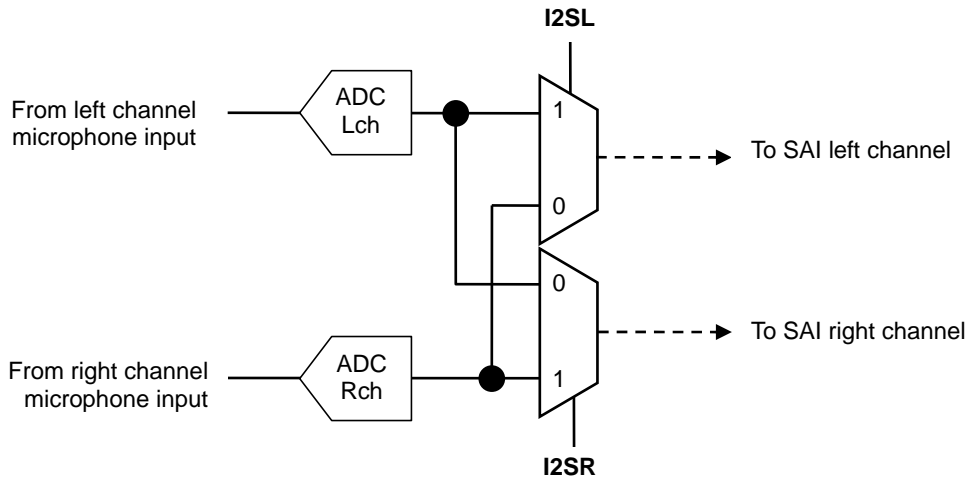


Figure 37

MONOREC

This bit chooses whether ADC output data connects in stereo, or it changes and connects in monaural.

MONOREC	Description
0	ADC output data connects in stereo Lch Output is Lch-ADC data Rch Output is Rch-ADC data
1	ADC output data changes and connects in monaural. Lch Output is ( Lch-ADC data + Rch-ADC data ) / 2 Rch Output is ( Lch-ADC data + Rch-ADC data ) / 2

Record Digital Attenuator Control Register

Record Digital Attenuator Control Register											
MAPCON	INDEX		b07 (Initial)	b06	b05	b04	b03	b02	b01	b00	
	R	W									
0x0	0x60	0x61	RDVOL								
			1	1	1	1	1	1	1	1	

This register is to set the digital volume of the recording path.  
 Their values are 0.5dB step from -71.5dB to 0.0dB, and mute.

RDVOL[7:0]

RDVOL	Gain(dB)	RDVOL	Gain(dB)	RDVOL	Gain(dB)	RDVOL	Gain(dB)
0x00 to 0x6E	Write prohibit	0x93	-54.0	0xB8	-35.5	0xDD	-17.0
0x6F	MUTE	0x94	-53.5	0xB9	-35.0	0xDE	-16.5
0x70	-71.5	0x95	-53.0	0xBA	-34.5	0xDF	-16.0
0x71	-71.0	0x96	-52.5	0xBB	-34.0	0xE0	-15.5
0x72	-70.5	0x97	-52.0	0xBC	-33.5	0xE1	-15.0
0x73	-70.0	0x98	-51.5	0xBD	-33.0	0xE2	-14.5
0x74	-69.5	0x99	-51.0	0xBE	-32.5	0xE3	-14.0
0x75	-69.0	0x9A	-50.5	0xBF	-32.0	0xE4	-13.5
0x76	-68.5	0x9B	-50.0	0xC0	-31.5	0xE5	-13.0
0x77	-68.0	0x9C	-49.5	0xC1	-31.0	0xE6	-12.5
0x78	-67.5	0x9D	-49.0	0xC2	-30.5	0xE7	-12.0
0x79	-67.0	0x9E	-48.5	0xC3	-30.0	0xE8	-11.5
0x7A	-66.5	0x9F	-48.0	0xC4	-29.5	0xE9	-11.0
0x7B	-66.0	0xA0	-47.5	0xC5	-29.0	0xEA	-10.5
0x7C	-65.5	0xA1	-47.0	0xC6	-28.5	0xEB	-10.0
0x7D	-65.0	0xA2	-46.5	0xC7	-28.0	0xEC	-9.5
0x7E	-64.5	0xA3	-46.0	0xC8	-27.5	0xED	-9.0
0x7F	-64.0	0xA4	-45.5	0xC9	-27.0	0xEE	-8.5
0x80	-63.5	0xA5	-45.0	0xCA	-26.5	0xEF	-8.0
0x81	-63.0	0xA6	-44.5	0xCB	-26.0	0xF0	-7.5
0x82	-62.5	0xA7	-44.0	0xCC	-25.5	0xF1	-7.0
0x83	-62.0	0xA8	-43.5	0xCD	-25.0	0xF2	-6.5
0x84	-61.5	0xA9	-43.0	0xCE	-24.5	0xF3	-6.0
0x85	-61.0	0xAA	-42.5	0xCF	-24.0	0xF4	-5.5
0x86	-60.5	0xAB	-42.0	0xD0	-23.5	0xF5	-5.0
0x87	-60.0	0xAC	-41.5	0xD1	-23.0	0xF6	-4.5
0x88	-59.5	0xAD	-41.0	0xD2	-22.5	0xF7	-4.0
0x89	-59.0	0xAE	-40.5	0xD3	-22.0	0xF8	-3.5
0x8A	-58.5	0xAF	-40.0	0xD4	-21.5	0xF9	-3.0
0x8B	-58.0	0xB0	-39.5	0xD5	-21.0	0xFA	-2.5
0x8C	-57.5	0xB1	-39.0	0xD6	-20.5	0xFB	-2.0
0x8D	-57.0	0xB2	-38.5	0xD7	-20.0	0xFC	-1.5
0x8E	-56.5	0xB3	-38.0	0xD8	-19.5	0xFD	-1.0
0x8F	-56.0	0xB4	-37.5	0xD9	-19.0	0xFE	-0.5
0x90	-55.5	0xB5	-37.0	0xDA	-18.5	0xFF	0.0
0x91	-55.0	0xB6	-36.5	0xDB	-18.0		
0x92	-54.5	0xB7	-36.0	0xDC	-17.5		

Playback Effect Volume Control Register

Playback Effect Volume Control Register											
MAPCON	INDEX		b07 (Initial)	b06	b05	b04	b03	b02	b01	b00	
	R	W									
0x0	0x62	0x63	Effect VOL								
			1	1	1	1	1	1	1	1	

This register is to set the digital volume of the playback path.  
 Their values are 0.5dB step from -71.5dB to 0.0dB, and mute.

Effect Vol[7:0]

Effect Vol	Gain(dB)	Effect Vol	Gain(dB)	Effect Vol	Gain(dB)	Effect Vol	Gain(dB)
0x00 to 0x6E	Write prohibit	0x93	-54.0	0xB8	-35.5	0xDD	-17.0
0x6F	MUTE	0x94	-53.5	0xB9	-35.0	0xDE	-16.5
0x70	-71.5	0x95	-53.0	0xBA	-34.5	0xDF	-16.0
0x71	-71.0	0x96	-52.5	0xBB	-34.0	0xE0	-15.5
0x72	-70.5	0x97	-52.0	0xBC	-33.5	0xE1	-15.0
0x73	-70.0	0x98	-51.5	0xBD	-33.0	0xE2	-14.5
0x74	-69.5	0x99	-51.0	0xBE	-32.5	0xE3	-14.0
0x75	-69.0	0x9A	-50.5	0xBF	-32.0	0xE4	-13.5
0x76	-68.5	0x9B	-50.0	0xC0	-31.5	0xE5	-13.0
0x77	-68.0	0x9C	-49.5	0xC1	-31.0	0xE6	-12.5
0x78	-67.5	0x9D	-49.0	0xC2	-30.5	0xE7	-12.0
0x79	-67.0	0x9E	-48.5	0xC3	-30.0	0xE8	-11.5
0x7A	-66.5	0x9F	-48.0	0xC4	-29.5	0xE9	-11.0
0x7B	-66.0	0xA0	-47.5	0xC5	-29.0	0xEA	-10.5
0x7C	-65.5	0xA1	-47.0	0xC6	-28.5	0xEB	-10.0
0x7D	-65.0	0xA2	-46.5	0xC7	-28.0	0xEC	-9.5
0x7E	-64.5	0xA3	-46.0	0xC8	-27.5	0xED	-9.0
0x7F	-64.0	0xA4	-45.5	0xC9	-27.0	0xEE	-8.5
0x80	-63.5	0xA5	-45.0	0xCA	-26.5	0xEF	-8.0
0x81	-63.0	0xA6	-44.5	0xCB	-26.0	0xF0	-7.5
0x82	-62.5	0xA7	-44.0	0xCC	-25.5	0xF1	-7.0
0x83	-62.0	0xA8	-43.5	0xCD	-25.0	0xF2	-6.5
0x84	-61.5	0xA9	-43.0	0xCE	-24.5	0xF3	-6.0
0x85	-61.0	0xAA	-42.5	0xCF	-24.0	0xF4	-5.5
0x86	-60.5	0xAB	-42.0	0xD0	-23.5	0xF5	-5.0
0x87	-60.0	0xAC	-41.5	0xD1	-23.0	0xF6	-4.5
0x88	-59.5	0xAD	-41.0	0xD2	-22.5	0xF7	-4.0
0x89	-59.0	0xAE	-40.5	0xD3	-22.0	0xF8	-3.5
0x8A	-58.5	0xAF	-40.0	0xD4	-21.5	0xF9	-3.0
0x8B	-58.0	0xB0	-39.5	0xD5	-21.0	0xFA	-2.5
0x8C	-57.5	0xB1	-39.0	0xD6	-20.5	0xFB	-2.0
0x8D	-57.0	0xB2	-38.5	0xD7	-20.0	0xFC	-1.5
0x8E	-56.5	0xB3	-38.0	0xD8	-19.5	0xFD	-1.0
0x8F	-56.0	0xB4	-37.5	0xD9	-19.0	0xFE	-0.5
0x90	-55.5	0xB5	-37.0	0xDA	-18.5	0xFF	0.0
0x91	-55.0	0xB6	-36.5	0xDB	-18.0		
0x92	-54.5	0xB7	-36.0	0xDC	-17.5		

## DSP Filter Function Enable Register

MAPCON	INDEX		b07 (Initial)	b06	b05	b04	b03	b02	b01	b00
	R	W								
0x0	0x66	0x67	HPF2OD	EQ4EN	EQ3EN	EQ2EN	EQ1EN	EQ0EN	HPF2EN	HPF1EN
			0	0	0	0	0	0	0	1

This register is to set ON or OFF for DSP filtering function.

## HPF1EN

This bit is to set ON or OFF of a first-order high pass filter for DC cut. Do not change this bit during operation of the recording (0x13/0x14: RECPLAY=0x1, 0x3, or 0x7). If this bit is changed, the noise may be generated.

HPF1EN	Description
0	DC cut first-order high pass filter OFF
1	DC cut first-order high pass filter ON

## HPF2EN

This bit is to set ON or OFF of a second-order high pass filter for noise cut. (0x13h/0x14h: RECPLAY=1 or 2). If this bit is changed, the noise may be generated.

HPF2EN	Description
0	Noise cut second-order high pass filter OFF
1	Noise cut second-order high pass filter ON

## EQ0EN

This bit is to set ON or OFF of equalizer band 0. In case of changing this bit during recording and playback operation (0x13/0x14: RECPLAY=0x1, 0x2, 0x3, or 0x7), enables digital volume fade function (0x68/0x69: DVFADE=1) and then change the gain to 0dB.

EQ0EN	Description
0	equalizer band 0 disable
1	equalizer band 0 enable

## EQ1EN

This bit is to set ON or OFF of equalizer band 1. In case of changing this bit during recording and playback operation (0x13/0x14: RECPLAY=0x1, 0x2, 0x3, or 0x7), enables digital volume fade function (0x68/0x69: DVFADE=1) and then change the gain to 0dB.

EQ1EN	Description
0	equalizer band 1 disable
1	equalizer band 1 enable

## EQ2EN

This bit is to set ON or OFF of equalizer band 2. In case of changing this bit during recording and playback operation (0x13/0x14: RECPLAY=0x1, 0x2, 0x3, or 0x7), enables digital volume fade function (0x68/0x69: DVFADE=1) and then change the gain to 0dB.

EQ2EN	Description
0	equalizer band 2 disable
1	equalizer band 2 enable

## EQ3EN

This bit is to set ON or OFF of equalizer band 3. In case of changing this bit during recording and playback operation (0x13/0x14: RECPLAY=0x1, 0x2, 0x3, or 0x7), enables digital volume fade function (0x68/0x69: DVFADE=1) and then change the gain to 0dB.

EQ3EN	Description
0	equalizer band 3 disable
1	equalizer band 3 enable

## EQ4EN

This bit is to set ON or OFF of equalizer band 4. In case of changing this bit during recording and playback operation (0x13/0x14: RECPLAY=0x1, 0x2, 0x3, or 0x7), enables digital volume fade function (0x68/0x69: DVFADE=1) and then change the gain to 0dB.

EQ4EN	Description
0	equalizer band 4 disable
1	equalizer band 4 enable

## HPF2OD

This bit is to set number of high pass filter order(HPF2EN bit) for noise cut. In recording or playback operation(RECPLAY≠0x0), do not change this bit. If this bit is changed, the noise may be generated.

HPF2OD	Description
0	second-order high pass filter
1	first-order high pass filter

## Digital Volume Control Function Enable Register

MAPCON	INDEX		b07 (Initial)	b06	b05	b04	b03	b02	b01	b00
	R	W								
0x0	0x68	0x69	-	-	-	DVMUTE	DVFADE	-	-	PALCEN
			-	-	-	0	0	-	-	0

This register is to set ON or OFF for digital volume control function.

## PALCEN

This bit is to set ON or OFF of limiter at playback.

Set this register at stop state. (RECPLAY=0x0)

Set PALCEN register' value same as RPPL register (0xae/0xaf)

setting	Description
0	PALC OFF at playback
1	PALC ON at playback

## DVFADE

This bit is to set ON or OFF of digital volume fade function. The fade function is effective for the recording and playback digital volume and the equalizer gain.

setting	Description
0	Fade function OFF: The register setting value of RDATT, PDATT and EQGAIN0 to 3 is used actual volume value as it is. Therefore the value is effective immediate.
1	Fade function ON: The volume is changing to the register setting value of RDATT, PDATT and EQGAIN0 to 3 with 1 step per DVFCON register step time.

## DVMUTE

This bit is to set MUTE of the digital volume. This mute function is effective for the recording digital volume at recording and effective for playback digital volume at playback. The fade function by DVFADE is effective against the volume change by this bit.

setting	Description
0	Register value of RDVOL and PDATT is effective.
1	Digital volume is set to MUTE. Register value of RDVOL and PDATT cannot be changed by this bit, the volume is resumed by releasing this bit(DVMUTE=0) to the original setting value of RDVOL and PDVOL.

## Mixer &amp; Volume Control Register

MAPCON	INDEX		b07 (Initial)	b06	b05	b04	b03	b02	b01	b00
	R	W								
0x0	0x6a	0x6b	DVFCON				RMCON		LMCON	
			0	0	0	0	0	0	0	0

This register is to control the SAI receive data L channel plus R channel mixer and the digital volume fade control.

## LMCON[1:0]

These bits are to control the SAI receive data L channel plus R channel mixer

LMCON	Description
0x0	Use L Discard R
0x1	Use R Discard L
0x2	Use (L+R)
0x3	Use (L+R)/2

## RMCON[1:0]

These bits are to control the SAI receive data R channel plus L channel mixer

RMCON	Description
0x0	Use R Discard L
0x1	Use L Discard R
0x2	Use (L+R)
0x3	Use (L+R)/2

## DVFCON[3:0]

These bits are to set the volume change step time of the digital volume fade function. The volume changes step by step (0.5dB) with this setting period. Step time is in proportion to sampling frequency (fs) as following table.

DVFCON	fs equivalent	Time(fs=48kHz)
0x0	1/fs	20.8μs
0x1	2/fs	41.7μs
0x2	4/fs	83.3μs
0x3	8/fs	167μs
0x4	16/fs	333μs
0x5	32/fs	667μs
0x6	64/fs	1.33ms
0x7	128/fs	2.67ms
0x8	256/fs	5.33ms
0x9	512/fs	10.7ms
0xA	1024/fs	21.3ms
0xB	2048/fs	42.7ms
0xC	4096/fs	85.3ms
0xD	8192/fs	171ms
0xE	16384/fs	341ms

EQ Band0 Gain Setting Register  
 EQ Band1 Gain Setting Register  
 EQ Band2 Gain Setting Register  
 EQ Band3 Gain Setting Register  
 EQ Band4 Gain Setting Register

MAPCON	INDEX		b07 (Initial)	b06	b05	b04	b03	b02	b01	b00
	R	W								
0x0	0x74	0x75	EQGAIN0							
			1	1	1	0	0	1	1	1
0x0	0x76	0x77	EQGAIN1							
			1	1	1	0	0	1	1	1
0x0	0x78	0x79	EQGAIN2							
			1	1	1	0	0	1	1	1
0x0	0x7a	0x7b	EQGAIN3							
			1	1	1	0	0	1	1	1
0x0	0x7c	0x7d	EQGAIN4							
			1	1	1	0	0	1	1	1

These registers are to set the gain of each band equalizer.

(\*)Index values are different by setting sound effect mode register. See Sound Effect Mode register description.

EQGAIN 0 to 4[7:0]	Gain (0dB)	EQGAIN 0 to 4[7:0]	Gain (0dB)	EQGAIN 0 to 4[7:0]	Gain (dB)	EQGAIN 0 to 4[7:0]	Gain (dB)
0x00 to 0x57	MUTE	0x82	-50.5	0xAD	-29.0	0xD8	-7.5
0x58	-71.5	0x83	-50.0	0xAE	-28.5	0xD9	-7.0
0x59	-71.0	0x84	-49.5	0xAF	-28.0	0xDA	-6.5
0x5A	-70.5	0x85	-49.0	0xB0	-27.5	0xDB	-6.0
0x5B	-70.0	0x86	-48.5	0xB1	-27.0	0xDC	-5.5
0x5C	-69.5	0x87	-48.0	0xB2	-26.5	0xDD	-5.0
0x5D	-69.0	0x88	-47.5	0xB3	-26.0	0xDE	-4.5
0x5E	-68.5	0x89	-47.0	0xB4	-25.5	0xDF	-4.0
0x5F	-68.0	0x8A	-46.5	0xB5	-25.0	0xE0	-3.5
0x60	-67.5	0x8B	-46.0	0xB6	-24.5	0xE1	-3.0
0x61	-67.0	0x8C	-45.5	0xB7	-24.0	0xE2	-2.5
0x62	-66.5	0x8D	-45.0	0xB8	-23.5	0xE3	-2.0
0x63	-66.0	0x8E	-44.5	0xB9	-23.0	0xE4	-1.5
0x64	-65.5	0x8F	-44.0	0xBA	-22.5	0xE5	-1.0
0x65	-65.0	0x90	-43.5	0xBB	-22.0	0xE6	-0.5
0x66	-64.5	0x91	-43.0	0xBC	-21.5	0xE7	0.0
0x67	-64.0	0x92	-42.5	0xBD	-21.0	0xE8	0.5
0x68	-63.5	0x93	-42.0	0xBE	-20.5	0xE9	1.0
0x69	-63.0	0x94	-41.5	0xBF	-20.0	0xEA	1.5
0x6A	-62.5	0x95	-41.0	0xC0	-19.5	0xEB	2.0
0x6B	-62.0	0x96	-40.5	0xC1	-19.0	0xEC	2.5
0x6C	-61.5	0x97	-40.0	0xC2	-18.5	0xED	3.0
0x6D	-61.0	0x98	-39.5	0xC3	-18.0	0xEE	3.5
0x6E	-60.5	0x99	-39.0	0xC4	-17.5	0xEF	4.0
0x6F	-60.0	0x9A	-38.5	0xC5	-17.0	0xF0	4.5
0x70	-59.5	0x9B	-38.0	0xC6	-16.5	0xF1	5.0
0x71	-59.0	0x9C	-37.5	0xC7	-16.0	0xF2	5.5
0x72	-58.5	0x9D	-37.0	0xC8	-15.5	0xF3	6.0
0x73	-58.0	0x9E	-36.5	0xC9	-15.0	0xF4	6.5
0x74	-57.5	0x9F	-36.0	0xCA	-14.5	0xF5	7.0
0x75	-57.0	0xA0	-35.5	0xCB	-14.0	0xF6	7.5
0x76	-56.5	0xA1	-35.0	0xCC	-13.5	0xF7	8.0
0x77	-56.0	0xA2	-34.5	0xCD	-13.0	0xF8	8.5
0x78	-55.5	0xA3	-34.0	0xCE	-12.5	0xF9	9.0
0x79	-55.0	0xA4	-33.5	0xCF	-12.0	0xFA	9.5
0x7A	-54.5	0xA5	-33.0	0xD0	-11.5	0xFB	10.0
0x7B	-54.0	0xA6	-32.5	0xD1	-11.0	0xFC	10.5
0x7C	-53.5	0xA7	-32.0	0xD2	-10.5	0xFD	11.0
0x7D	-53.0	0xA8	-31.5	0xD3	-10.0	0xFE	11.5
0x7E	-52.5	0xA9	-31.0	0xD4	-9.5	0xFF	12.0
0x7F	-52.0	0xAA	-30.5	0xD5	-9.0		
0x80	-51.5	0xAB	-30.0	0xD6	-8.5		
0x81	-51.0	0xAC	-29.5	0xD7	-8.0		



High Pass Filter2 Cut-off Control Register

MAPCON	INDEX		b07 (Initial)	b06	b05	b04	b03	b02	b01	b00
	R	W								
0x0	0x7e	0x7f	-	-	-	-	-	HPF2CUT		
			-	-	-	-	-	0	0	0

HPF2CUT[2:0]

This register is to set the cut off frequency of the high pass filter for noise reduction. Do not change this register setting at filtering operation.

These bits are to set the cut-off frequency of noise reduction high pass filter.

The following table shows that the frequency decreases 3dB at second order filter selected (HPF2OD=0) and decreases 1.5dB at first order filter selected (HPF2OD=1).

setting	Cut-off Frequency(Hz)		
	fs=8kHz, 16kHz, 32kHz	fs=11.025kHz, 22.05kHz, 44.1kHz	fs=12kHz, 24kHz, 48kHz
0x0	80	110	120
0x1	100	138	150
0x2	130	179	195
0x3	160	221	240
0x4	200	276	300
0x5	260	358	390
0x6	320	441	480
0x7	400	551	600

Programable Equalizer Band0 Coefficient-a0 (L) Register  
 Programable Equalizer Band0 Coefficient-a0 (H) Register  
 Programable Equalizer Band0 Coefficient-a1 (L) Register  
 Programable Equalizer Band0 Coefficient-a1 (H) Register  
 Programable Equalizer Band1 Coefficient-a0 (L) Register  
 Programable Equalizer Band1 Coefficient-a0 (H) Register  
 Programable Equalizer Band1 Coefficient-a1 (L) Register  
 Programable Equalizer Band1 Coefficient-a1 (H) Register  
 Programable Equalizer Band2 Coefficient-a0 (L) Register  
 Programable Equalizer Band2 Coefficient-a0 (H) Register  
 Programable Equalizer Band2 Coefficient-a1 (L) Register  
 Programable Equalizer Band2 Coefficient-a1 (H) Register  
 Programable Equalizer Band3 Coefficient-a0 (L) Register  
 Programable Equalizer Band3 Coefficient-a0 (H) Register  
 Programable Equalizer Band3 Coefficient-a1 (L) Register  
 Programable Equalizer Band3 Coefficient-a1 (H) Register  
 Programable Equalizer Band4 Coefficient-a0 (L) Register  
 Programable Equalizer Band4 Coefficient-a0 (H) Register  
 Programable Equalizer Band4 Coefficient-a1 (L) Register  
 Programable Equalizer Band4 Coefficient-a1 (H) Register

MAPCON	INDEX		b07 (Initial)	b06	b05	b04	b03	b02	b01	b00
	R	W								
0x0	0x80	0x81	EQ0A0L							
			0	0	0	0	0	0	0	0
0x0	0x82	0x83	EQ0A0H							
			0	0	0	0	0	0	0	0
0x0	0x84	0x85	EQ0A1L							
			0	0	0	0	0	0	0	0
0x0	0x86	0x87	EQ0A1H							
			0	0	0	0	0	0	0	0
0x0	0x88	0x89	EQ1A0L							
			0	0	0	0	0	0	0	0
0x0	0x8a	0x8b	EQ1A0H							
			0	0	0	0	0	0	0	0
0x0	0x8c	0x8d	EQ1A1L							
			0	0	0	0	0	0	0	0
0x0	0x8e	0x8f	EQ1A1H							
			0	0	0	0	0	0	0	0
0x0	0x90	0x91	EQ2A0L							
			0	0	0	0	0	0	0	0
0x0	0x92	0x93	EQ2A0H							
			0	0	0	0	0	0	0	0
0x0	0x94	0x95	EQ2A1L							
			0	0	0	0	0	0	0	0
0x0	0x96	0x97	EQ2A1H							
			0	0	0	0	0	0	0	0
0x0	0x98	0x99	EQ3A0L							
			0	0	0	0	0	0	0	0
0x0	0x9a	0x9b	EQ3A0H							
			0	0	0	0	0	0	0	0
0x0	0x9c	0x9d	EQ3A1L							
			0	0	0	0	0	0	0	0
0x0	0x9e	0x9f	EQ3A1H							
			0	0	0	0	0	0	0	0
0x0	0xa0	0xa1	EQ4A0L							
			0	0	0	0	0	0	0	0
0x0	0xa2	0xa3	EQ4A0H							
			0	0	0	0	0	0	0	0
0x0	0xa4	0xa5	EQ4A1L							
			0	0	0	0	0	0	0	0
0x0	0xa6	0xa7	EQ4A1H							
			0	0	0	0	0	0	0	0

These registers are to set the coefficients a0 and a1 of each five band programmable equalizer. One coefficients value is specified by two bytes data. The centre frequency and band width of the filter can be set by changing these register value.

Please do not change the register setting during corresponding filter operation (\*).The detailed setting value is described in the Filter function.

(\*) (RECPLAY is not 0x0) and (EQ0EN=1 or EQ1EN=1 or EQ2EN=1 or EQ3EN=1)

RecPlay Play Limiter Enable Register

RecPlay Play Limiter Enable Register										
MAPCON	INDEX		b07 (Initial)	b06	b05	b04	b03	b02	b01	b00
	R	W								
0x0	0xae	0xaf	-	-	-	-	-	-	-	RPPL
			-	-	-	-	-	-	-	0

RPPL

This bit is to set ON or OFF of limiter at playback.

Set this register at stop state. (RECPLAY=0x0)

Set RPPL register' value same as PLACEN register (0x68/0x69)

setting	Description
0	PALC OFF at playback
1	PALC ON at playback

Soft Clip Enable Register  
 Soft Clip Threshold H Register  
 Soft Clip Threshold M Register  
 Soft Clip Threshold L Register  
 Soft Clip Gain Register

MAPCON	INDEX		b07 (Initial)	b06	b05	b04	b03	b02	b01	b00
	R	W								
0x0	0xb0	0xb1	-	-	-	-	-	-	-	SCEN 0
0x0	0xb2	0xb3	-	SCTHRH						
			-	0	0	0	0	0	0	0
0x0	0xb4	0xb5	SCTHRM							
			0	0	0	0	0	0	0	0
0x0	0xb6	0xb7	SCTHRL							
			0	0	0	0	0	0	0	0
0x0	0xb8	0xb9	-	-	-	-	-	SCGAIN		
			-	-	-	-	-	0	0	1

This register is setting of the "SoftClip" block.

SCEN

setting	Description
0	SoftClip Function OFF
1	SoftClip Function ON

SCTHRH  
 SCTHRM  
 SCTHRL

This register sets a soft clip threshold level.  
 When PCM signal with more than of this bit is input, the LSI clips it according to a value of SCGAIN and works.  
 The value of threshold level is 23bit(SCTHRM[6:0], SCTHRM[7:0], SCTHRL[7:0])  
 Please do not change the value of this bit during SoftClip function movement.

SCGAIN[2:0]

This register is setting the gain at SoftClip. This register setting must not be changed during SoftClip function is active.

setting	Description
0x0	2 time
0x1	1 time(default)
0x2	1/2 time
0x3	1/4 time
0x4	1/8 time
0x5	1/16 time
0x6	1/32 time
0x7	1/64 time

MIC ALC Control Register

MAPCON	INDEX		b07 (Initial)	b06	b05	b04	b03	b02	b01	b00
	R	W								
0x0	0xba	0xbb	-	-	-	-	-	-	MCLEN	MALCEN
			-	-	-	-	-	-	1	1

This register sets the ALC for MIC input  
Please refer to function explanation for the details of this function

MALCEN

This sets the MIC ALC.  
In the case of OFF, MIC ALC suffers from Gain of MICAMP with a value of MALCMXGAIN

setting	Description
0	MALC Function OFF
1	MALC Function ON (default)

MCLEN

This sets the MIC Clip reduction.

setting	Description
0	MIC Clip reduction OFF
1	MIC Clip reduction ON (default)

MIC ALC Attack /Decay Time Register

MAPCON	INDEX		b07 (Initial)	b06	b05	b04	b03	b02	b01	b00
	R	W								
0x0	0xbc	0xbd	-	MALCDCY			-	MALCATK		
			-	1	0	0	-	1	0	0

This register sets Decay Time in Attack Time of the MIC ALC.

MALCATK[2:0]

MIC ALC Attack Time

setting	8kHz	11.025k Hz	12kHz	16kHz	22.05kHz	24kHz	32kHz	44.1kHz	48kHz	Unit
0	0.25	0.18	0.17	0.13	0.09	0.08	0.06	0.05	0.04	ms
1	0.5	0.36	0.33	0.25	0.18	0.17	0.13	0.09	0.08	ms
2	1.0	0.73	0.67	0.5	0.36	0.33	0.25	0.18	0.17	ms
3	2.0	1.45	1.33	1.0	0.73	0.67	0.5	0.36	0.33	ms
4	4.0	2.9	2.67	2.0	1.45	1.33	1.0	0.73	0.67	ms
5	8.0	5.8	5.33	4.0	2.9	2.67	2.0	1.45	1.33	ms
6	16.0	11.61	10.67	8.0	5.8	5.33	4.0	2.9	2.67	ms
7	32.0	23.22	21.33	16.0	11.61	10.67	8.0	5.8	5.33	ms

MALCDCY[2:0]

MIC ALC Decay Time

setting	8kHz	11.025k Hz	12kHz	16kHz	22.05kHz	24kHz	32kHz	44.1kHz	48kHz	Unit
0	64	46	43	32	23	21	16	12	11	ms
1	128	93	85	64	46	43	32	23	21	ms
2	256	186	171	128	93	85	64	46	43	ms
3	512	372	341	256	186	171	128	93	85	ms
4	1024	743	683	512	372	341	256	186	171	ms
5	2048	1486	1365	1024	743	683	512	372	341	ms
6	4096	2972	2731	2048	1486	1365	1024	743	683	ms
7	8192	5944	5461	4096	2972	2731	2048	1486	1365	ms

MIC ALC Max Gain Register

MAPCON	INDEX		b07 (Initial)	b06	b05	b04	b03	b02	b01	b00
	R	W								
0x0	0xbe	0xbf	-	-	MALCMXGAIN					
			-	-	0	1	0	0	0	0

This register sets the ALC MAX GAIN for MIC input

MALCGAIN[5:0]

MIC ALC Max Gain.

setting	Description
0x3F	35.25dB
0x3E	34.50dB
:	(0.75dB/step)
0x28	18.00dB
:	(0.75dB/step)
0x11	0.75dB
0x10	0.00dB
:	Prohibited
0x00	Prohibited

LINE ALC Control Register

MAPCON	INDEX		b07 (Initial)	b06	b05	b04	b03	b02	b01	b00
	R	W								
0x0	0xc4	0xc5	-	-	-	-	-	-	LCLLEN	LALCEN
			-	-	-	-	-	-	0	0

This register sets the ALC for Line input

Please refer to function explanation for the details of this function

LALCEN

This sets the Line ALC.

setting	Description
0	LALC Function OFF (default)
1	LALC Function ON

LCLLEN

This sets the Line Clip reduction.

setting	Description
0	Line Clip reduction OFF (default)
1	Line Clip reduction ON

## LINE ALC Attack /Decay Time Register

MAPCON	INDEX		b07 (Initial)	b06	b05	b04	b03	b02	b01	b00
	R	W								
0x0	0xc6	0xc7	-	LALCDCY			-	LALCATK		
			-	1	1	1	-	1	0	0

This register sets Decay Time in Attack Time of the Line ALC.

## LALCATK[2:0]

Line ALC Attack Time

setting	8kHz	11.025k Hz	12kHz	16kHz	22.05kH z	24kHz	32kHz	44.1kHz	48kHz	Unit
0	0.5	0.4	0.3	0.3	0.2	0.2	0.1	0.1	0.1	ms
1	1.0	0.7	0.7	0.5	0.4	0.3	0.3	0.2	0.2	ms
2	2.0	1.5	1.3	1.0	0.7	0.7	0.5	0.4	0.3	ms
3	4.0	2.9	2.7	2.0	1.5	1.3	1.0	0.7	0.7	ms
4	8.0	5.8	5.3	4.0	2.9	2.7	2.0	1.5	1.3	ms
5	16.0	11.6	10.7	8.0	5.8	5.3	4.0	2.9	2.7	ms
6	32.0	23.2	21.3	16.0	11.6	10.7	8.0	5.8	5.3	ms
7	64.0	46.4	42.7	32.0	23.2	21.3	16.0	11.6	10.7	ms

## LALCDCY[2:0]

Line ALC Decay Time

setting	8kHz	11.025k Hz	12kHz	16kHz	22.05kH z	24kHz	32kHz	44.1kHz	48kHz	Unit
0	64	46	43	32	23	21	16	12	11	ms
1	128	93	85	64	46	43	32	23	21	ms
2	256	186	171	128	93	85	64	46	43	ms
3	512	372	341	256	186	171	128	93	85	ms
4	1024	743	683	512	372	341	256	186	171	ms
5	2048	1486	1365	1024	743	683	512	372	341	ms
6	4096	2972	2731	2048	1486	1365	1024	743	683	ms
7	∞	∞	∞	∞	∞	∞	∞	∞	∞	ms

## LINE ALC Max Gain Register

MAPCON	INDEX		b07 (Initial)	b06	b05	b04	b03	b02	b01	b00
	R	W								
0x0	0xc8	0xc9	-	-	-	-	LALCMXGAIN			
			-	-	-	-	1	1	1	1

This register sets the ALC MAX GAIN for Line input

## LALCGAIN[3:0]

Line ALC Max Gain.

setting	Description
0xF	6dB
0xE	5dB
:	(1dB/step)
0x1	-8dB
0x0	-9dB

## Playback ALC Attack Time Control Register

MAPCON	INDEX		b07 (Initial)	b06	b05	b04	b03	b02	b01	b00
	R	W								
0x0	0xdc	0xdd	-	-	-	-	PALCATK			
			-	-	-	-	0	1	0	0

This register is to set the attack time that is the step period for the playback ALC volume down.

## PALCATK[3:0]

These bits are to set the playback ALC attack time. The playback ALC volume downs step by step per this attack time period. Attack time is in proportion to sampling frequency(fs) as following table.

setting	fs equivalent	Time(fs=48kHz)
0x0	1/fs	20.8us
0x1	2/fs	41.7us
0x2	4/fs	83.3us
0x3	8/fs	167us
0x4	16/fs	333us
0x5	32/fs	667us
0x6	64/fs	1.33ms
0x7	128/fs	2.67ms
0x8	256/fs	5.33ms
0x9	512/fs	10.7ms
0xA	1024/fs	21.3ms
0xB	2048/fs	42.7ms
0xC	4096/fs	85.3ms
0xD	8192/fs	171ms
0xE	16384/fs	341ms
0xF	32768/fs	683ms



Playback ALC Decay Time Control Register

MAPCON	INDEX		b07 (Initial)	b06	b05	b04	b03	b02	b01	b00
	R	W								
0x0	0xde	0xdf	-	-	-	-	PALCDCY			
			-	-	-	-	0	1	0	1

This register is to set the decay time that is the step period for the playback ALC volume up.

PALCDCY[3:0]

These bits are to set the playback ALC decay time. The playback ALC volume ups step by step per this decay time period. Decay time is in proportion to sampling frequency(fs) as following table.

setting	fs equivalent	Time(fs=48kHz)
0x0	4/fs	83.3us
0x1	8/fs	167us
0x2	16/fs	333us
0x3	32/fs	667us
0x4	64/fs	1.33ms
0x5	128/fs	2.67ms
0x6	256/fs	5.33ms
0x7	512/fs	10.7ms
0x8	1024/fs	21.3ms
0x9	2048/fs	42.7ms
0xA	4096/fs	85.3ms
0xB	8192/fs	171ms
0xC	16384/fs	341ms
0xD	32768/fs	683ms
0xE	65536/fs	1.37s
0xF	131072/fs	2.73s

Playback ALC Target Level Control Register

MAPCON	INDEX		b07 (Initial)	b06	b05	b04	b03	b02	b01	b00
	R	W								
0x0	0xe0	0xe1	-	-	-	PALCLVL				
			-	-	-	1	1	0	1	1

This register is to set the target level of the playback ALC.

PALCLVL[4:0]

These bits are to set the target level of the playback ALC.

setting	Target Level (dBFS)	setting	Target Level (dBFS)
0x00	-23.25	0x10	-11.25
0x01	-22.50	0x11	-10.50
0x02	-21.75	0x12	-9.75
0x03	-21.00	0x13	-9.00
0x04	-20.25	0x14	-8.25
0x05	-19.50	0x15	-7.50
0x06	-18.75	0x16	-6.75
0x07	-18.00	0x17	-6.00
0x08	-17.25	0x18	-5.25
0x09	-16.50	0x19	-4.50
0x0A	-15.75	0x1A	-3.75
0x0B	-15.00	0x1B	-3.00
0x0C	-14.25	0x1C	-2.25
0x0D	-13.50	0x1D	-1.50
0x0E	-12.75		
0x0F	-12.00		

Playback ALC Min Gain Control Register

MAPCON	INDEX		b07 (Initial)	b06	b05	b04	b03	b02	b01	b00
	R	W								
0x0	0xe2	0xe3	-	-	-	-	-	PALCMINGAIN		
			-	-	-	-	-	0	0	0

This register is to set the upper limit and the lower limit at the playback ALC operation.

PALCMINGAIN[2:0]

These bits are to set the lower limit at the playback ALC operation.

setting	Min Gain (dB)
0x00	-12.0
0x01	-6.0
0x02	0.0
0x03	+6.0
0x04	+12.0
0x05	+18.0
0x06	+24.0
0x07	+30.0

## Playback ALC Volume Control Register

MAPCON	INDEX		b07 (Initial)	b06	b05	b04	b03	b02	b01	b00
	R	W								
0x0	0xe4	0xe5	-	PALCVOL						
			-	0	1	0	0	0	0	0

This register is to set the volume that is used in the PALC. It can be set the volume up to +35.625dB. Also this volume can be used as a playback path boost volume when the PALC is not used.

## PALCVOL[6:0]

PALCVOL becomes a fixed gain at the time of "PALCEN=0".

PALCVOL becomes a PALC Maximum gain at the time of "PALCEN=1".

PALCVOL	Gain (dB)	PALCVOL	Gain (dB)	PALCVOL	Gain (dB)	PALCVOL	Gain (dB)
0x00	-12.000	0x20	0.000	0x40	12.000	0x60	24.000
0x01	-11.625	0x21	0.375	0x41	12.375	0x61	24.375
0x02	-11.250	0x22	0.750	0x42	12.750	0x62	24.750
0x03	-10.875	0x23	1.125	0x43	13.125	0x63	25.125
0x04	-10.500	0x24	1.500	0x44	13.500	0x64	25.500
0x05	-10.125	0x25	1.875	0x45	13.875	0x65	25.875
0x06	-9.750	0x26	2.250	0x46	14.250	0x66	26.250
0x07	-9.375	0x27	2.625	0x47	14.625	0x67	26.625
0x08	-9.000	0x28	3.000	0x48	15.000	0x68	27.000
0x09	-8.625	0x29	3.375	0x49	15.375	0x69	27.375
0x0A	-8.250	0x2A	3.750	0x4A	15.750	0x6A	27.750
0x0B	-7.875	0x2B	4.125	0x4B	16.125	0x6B	28.125
0x0C	-7.500	0x2C	4.500	0x4C	16.500	0x6C	28.500
0x0D	-7.125	0x2D	4.875	0x4D	16.875	0x6D	28.875
0x0E	-6.750	0x2E	5.250	0x4E	17.250	0x6E	29.250
0x0F	-6.375	0x2F	5.625	0x4F	17.625	0x6F	29.625
0x10	-6.000	0x30	6.000	0x50	18.000	0x70	30.000
0x11	-5.625	0x31	6.375	0x51	18.375	0x71	30.375
0x12	-5.250	0x32	6.750	0x52	18.750	0x72	30.750
0x13	-4.875	0x33	7.125	0x53	19.125	0x73	31.125
0x14	-4.500	0x34	7.500	0x54	19.500	0x74	31.500
0x15	-4.125	0x35	7.875	0x55	19.875	0x75	31.875
0x16	-3.750	0x36	8.250	0x56	20.250	0x76	32.250
0x17	-3.375	0x37	8.625	0x57	20.625	0x77	32.625
0x18	-3.000	0x38	9.000	0x58	21.000	0x78	33.000
0x19	-2.625	0x39	9.375	0x59	21.375	0x79	33.375
0x1A	-2.250	0x3A	9.750	0x5A	21.750	0x7A	33.750
0x1B	-1.875	0x3B	10.125	0x5B	22.125	0x7B	34.125
0x1C	-1.500	0x3C	10.500	0x5C	22.500	0x7C	34.500
0x1D	-1.125	0x3D	10.875	0x5D	22.875	0x7D	34.875
0x1E	-0.750	0x3E	11.250	0x5E	23.250	0x7E	35.250
0x1F	-0.375	0x3F	11.625	0x5F	23.625	0x7F	35.625

Playback ALC ZeroCross TimeOut Register

MAPCON	INDEX		b07 (Initial)	b06	b05	b04	b03	b02	b01	b00
	R	W								
0x0	0xe6	0xe7	-	-	-	-	-	-	PALCZCTM	
			-	-	-	-	-	-	0	0

PALCZCTM[1:0]

This register is to set the value of Zero Cross time out in Playback ALC.

setting	fs equivalent	Time(fs=48kHz)
0x0	128/fs	2.67ms
0x1	256/fs	5.33ms
0x2	512/fs	10.7ms
0x3	1024/fs	21.3ms

Playback Limiter Fast Release Setting Register

MAPCON	INDEX		b07 (Initial)	b06	b05	b04	b03	b02	b01	b00
	R	W								
0x0	0xea	0xeb	PALCFRTH				PALCFREN	-	PALCFRSP	
			0	0	0	1	0	-	0	1

This register is to set the fast release in Playback ALC.

PALCFREN

This is to set the Fast Release enable in Playback ALC.

setting	Description
0	Disable
1	Enable

PALCFRSP[1:0]

These bits are to set the release speed in Playback ALC.

Release speed is expressed with PALCDCY.

setting	Release Speed
0x0	(1 / 4) * PALCDCY
0x1	(1 / 8) * PALCDCY
0x2	(1 / 16) * PALCDCY
0x3	(1 / 32) * PALCDCY

PALCFRTH[3:0]

This bit can set the threshold in Fast Release (Playback ALC).

Whether to make Fast Release effective by the gain down in which extent.

setting	Threshold (1Step=0.375dB)	setting	Threshold (1Step=0.375dB)
0x0	13step = 4.875dB	0x8	24step = 9.000dB
0x1	15step = 5.625dB	0x9	25step = 9.375dB
0x2	16step = 6.000dB	0xA	27step = 10.125dB
0x3	17step = 6.375dB	0xB	28step = 10.500dB
0x4	19step = 7.125dB	0xC	29step = 10.875dB
0x5	20step = 7.500dB	0xD	31step = 11.625dB
0x6	21step = 7.875dB	0xE	32step = 12.000dB
0x7	23step = 8.625dB	0xF	33step = 12.375dB

## LOUT Power Up Control Register

MAPCON	INDEX		b07 (Initial)	b06	b05	b04	b03	b02	b01	b00
	R	W								
0x0	0xec	0xed	-	-	LOPWTIM				-	-
			-	-	0	0	0	0	-	-

This register controls function for pop noise reducer of line amplifier power up and down.

## LOPWTIM [3:0]

It is the setting for start/stop time of pop noise reducer. This register setting must not be changed during line amplifier active.

According to LOPWTIM setting and sampling frequency, the start/stop time of lineamp is changed as below.

Please change LOPWTIM when it changes sampling frequency.

Evaluate it enough for the decision of the value.

	Start-up/shut-down time [ms]		
	fs=8kHz / 16kHz / 32kHz	fs=11.025kHz / 22.05kHz / 44.1kHz	fs=12kHz / 24kHz / 48kHz
0x0	0.2	0.3	0.3
0x1	0.4	0.6	0.5
0x2	0.8	1.1	1.0
0x3	1.6	2.3	2.1
0x4	3.1	4.6	4.2
0x5	6.3	9.1	8.4
0x6	12.6	18.2	16.8
0x7	25.1	36.5	33.5
0x8	50.3	72.9	67.0
0x9	100.5	145.9	134.0
0xA	201.1	291.8	268.1
0xB to 0xF	Write prohibit		

FPLL M setting Register  
 FPLL N Setting(L) Register  
 FPLL N Setting(H) Register  
 FPLL D Setting Register  
 FPLL F Setting(L) Register  
 FPLL F Setting(H) Register  
 FPLL F\_D Setting(L) Register  
 FPLL F\_D Setting(H) Register  
 FPLL V setting Register

MAPCON	INDEX		b07 (Initial)	b06	b05	b04	b03	b02	b01	b00
	R	W								
0x1	0x02	0x03	-	-	-	-	-	FPLLM(*)		
			-	-	-	-	-	0	0	0
0x1	0x04	0x05	FPLLNL(*)							
			0	0	0	0	0	0	0	0
0x1	0x06	0x07	-	-	-	-	-	-	-	FPLLNH(*)
			-	-	-	-	-	-	-	0
0x1	0x08	0x09	-	-	-	FPLLD(*)				
			-	-	-	0	0	0	0	0
0x1	0x0a	0x0b	FPLLFL(*)							
			0	0	0	0	0	0	0	0
0x1	0x0c	0x0d	FPLL FH(*)							
			0	0	0	0	0	0	0	0
0x1	0x0e	0x0f	FPLLF DL(*)							
			0	0	0	0	0	0	0	0
0x1	0x10	0x11	FPLLF DH(*)							
			0	0	0	0	0	0	0	0
0x1	0x12	0x13	-	-	-	-	FPLL V(*)			
			-	-	-	-	0	0	0	0

This register is to set PLL output clock frequency.

Please use PLL Setting Calculation program. The program outputs PLL register setting values.  
 PLL output frequency gets decided by FPLL Registers as the following expression.

$$\text{PLL output frequency (Hz)} = \text{PLL input frequency} / \text{FPLLM} \times (\text{FPLLN} + \text{FPLLD}/16 + \text{FPLLF}/\text{FPLLF\_D}/16) \times 2 / \text{FPLL V}$$

PLL CPMODE setting Register

MAPCON	INDEX		b07 (Initial)	b06	b05	b04	b03	b02	b01	b00
	R	W								
0x1	0x16	0x17	-	-	-	CPMODE(*)				
			-	-	-	0	0	1	1	0

CPMODE[4:0]

This bit is to set the ON and OFF of the PLL external loop-filter function.  
 If PLL is used on condition input frequency is lower than 2MHz, the external loop-filter is necessary.  
 Set this bit ,if the external loop-filter is necessary.  
 Recommended external circuit of the loop-filter is decided by PLL frequency. Please ask recommended circuit, if you need.

Setting	Description
0x00110	Not use PLL chip external loop-filter (Default)
0x10110	Use PLL chip external loop-filter

Headphone Output Gain Setting Register

MAPCON	INDEX		b07 (Initial)	b06	b05	b04	b03	b02	b01	b00
	R	W								
0x1	0x36	0x37	-	-	-	-	-	-	HPVOL	
			-	-	-	-	-	-	0	0

This register is to set the gain of Headphone Output.

HPVOL[1:0]

This bit is to set the gain of Headphone Output. When beep input is used, please set data to 0x3.

Setting	Description
0x0	-6dB (It is prohibition to use with beep input)
0x1	0dB (It is prohibition to use with beep input)
0x2	3dB (It is prohibition to use with beep input)
0x3	6dB

Analog Path Control Register

MAPCON	INDEX		b07 (Initial)	b06	b05	b04	b03	b02	b01	b00
	R	W								
0x1	0x3e	0x3f	-	-	HALF	HPBPEN	LINDACEN	ADCSET		
			-	-	1	0	0	1	1	1

This register adjusts ADC characteristics, and set signal path of analog section.

ADCSET

This register adjust ADC characteristics. Use by 0x7

ADCSET	Description
0x7	Use by 0x7

LINDACEN

Set signal path about from DAC to LINMIX amplifier.

\*Please set to "0" with recording monitor mode (0x13=0x07)

LINDACEN	Description
0	Don't connect DAC output to LINMIX amplifier.
1	Connect DAC output to LINMIX amplifier.

HPBPEN

Set signal path about from BEEPIN amplifier to Head phone amplifier.

HPBPEN	Description
0	Don't connect BEEPIN amplifier output to Head phone amplifier.
1	Connect BEEPIN amplifier output to Head phone amplifier.

HALF

Set the gain of MIC amplifier on input block.

HALF	Description
0	0dB
1	-6dB

Record L Balance Volume Control Register  
 Record R Balance Volume Control Register

MAPCON	INDEX		b07 (Initial)	b06	b05	b04	b03	b02	b01	b00
	R	W								
0x1	0x74	0x75	-	RBLVOLL						
			-	1	0	0	0	0	0	0
0x1	0x76	0x77	-	RBLVOLR						
			-	1	0	0	0	0	0	0

This register is to set "L/R Balance" block in digital signal flow, when ADC-path is used.  
 Left and Right volume are available to be set from -6.0dB to 6.0dB at 0.1dB step each.

RBLVOLL, RBLVOLR[6:0]

Setting	Gain(dB)	Setting	Gain(dB)	Setting	Gain(dB)	Setting	Gain(dB)
0x04	-6.0	0x24	-2.8	0x44	0.4	0x64	3.6
0x05	-5.9	0x25	-2.7	0x45	0.5	0x65	3.7
0x06	-5.8	0x26	-2.6	0x46	0.6	0x66	3.8
0x07	-5.7	0x27	-2.5	0x47	0.7	0x67	3.9
0x08	-5.6	0x28	-2.4	0x48	0.8	0x68	4.0
0x09	-5.5	0x29	-2.3	0x49	0.9	0x69	4.1
0x0A	-5.4	0x2A	-2.2	0x4A	1.0	0x6A	4.2
0x0B	-5.3	0x2B	-2.1	0x4B	1.1	0x6B	4.3
0x0C	-5.2	0x2C	-2.0	0x4C	1.2	0x6C	4.4
0x0D	-5.1	0x2D	-1.9	0x4D	1.3	0x6D	4.5
0x0E	-5.0	0x2E	-1.8	0x4E	1.4	0x6E	4.6
0x0F	-4.9	0x2F	-1.7	0x4F	1.5	0x6F	4.7
0x10	-4.8	0x30	-1.6	0x50	1.6	0x70	4.8
0x11	-4.7	0x31	-1.5	0x51	1.7	0x71	4.9
0x12	-4.6	0x32	-1.4	0x52	1.8	0x72	5.0
0x13	-4.5	0x33	-1.3	0x53	1.9	0x73	5.1
0x14	-4.4	0x34	-1.2	0x54	2.0	0x74	5.2
0x15	-4.3	0x35	-1.1	0x55	2.1	0x75	5.3
0x16	-4.2	0x36	-1.0	0x56	2.2	0x76	5.4
0x17	-4.1	0x37	-0.9	0x57	2.3	0x77	5.5
0x18	-4.0	0x38	-0.8	0x58	2.4	0x78	5.6
0x19	-3.9	0x39	-0.7	0x59	2.5	0x79	5.7
0x1A	-3.8	0x3A	-0.6	0x5A	2.6	0x7A	5.8
0x1B	-3.7	0x3B	-0.5	0x5B	2.7	0x7B	5.9
0x1C	-3.6	0x3C	-0.4	0x5C	2.8	0x7C	6.0
0x1D	-3.5	0x3D	-0.3	0x5D	2.9		
0x1E	-3.4	0x3E	-0.2	0x5E	3.0		
0x1F	-3.3	0x3F	-0.1	0x5F	3.1		
0x20	-3.2	0x40	0.0	0x60	3.2		
0x21	-3.1	0x41	0.1	0x61	3.3		
0x22	-3.0	0x42	0.2	0x62	3.4		
0x23	-2.9	0x43	0.3	0x63	3.5		



Stereo Enhancer Control Register

MAPCON	INDEX		b07 (Initial)	b06	b05	b04	b03	b02	b01	b00
	R	W								
0x1	0x86	0x87	-	-	-	-	-	-	STEEN	STEOD
			-	-	-	-	-	-	0	0

This register is to set "Stereo Enhancer" block in digital signal flow. This is to control Stereo enhancer function. This function is effective for DAC-path(playback) at "STEEN=1" and "SEMODE[7]=1".

STEOD

This bit is to set number of low pass filter order for Stereo enhancer.

setting	Description
0	second-order , LPF1 and LPF2 are effective.
1	first-order , only LPF1 is effective.

STEEN

This bit is to set Enable/Disable of low pass filter for Stereo enhancer.

setting	Description
0	Stereo enhancer Disable
1	Stereo enhancer Enable

- Stereo Enhancer LPF1 CoefL Register
- Stereo Enhancer LPF1 CoefH Register
- Stereo Enhancer LPF2 CoefL Register
- Stereo Enhancer LPF2 CoefH Register

MAPCON	INDEX		b07 (Initial)	b06	b05	b04	b03	b02	b01	b00
	R	W								
0x1	0x88	0x89	STE1CUT[7:0]							
			0	0	0	0	0	0	0	0
0x1	0x8a	0x8b	STE1CUT[15:8]							
			0	0	0	0	0	0	0	0
0x1	0x8c	0x8d	STE2CUT[7:0]							
			0	0	0	0	0	0	0	0
0x1	0x8e	0x8f	STE2CUT[15:8]							
			0	0	0	0	0	0	0	0

This register is to set "Stereo Enhancer" block in digital signal flow. This is to set LPF of Stereo enhancer function.

STE1CUT[15:0]

This bit is to set the first low pass filter cut off frequency for Stereo enhancer.

STE2CUT[15:0]

This bit is to set the second low pass filter cut off frequency for Stereo enhancer.

Play Programmable LPF Setting Register

MAPCON	INDEX		b07 (Initial)	b06	b05	b04	b03	b02	b01	b00
	R	W								
0x1	0xa0	0xa1	-	-	-	-	-	-	PLPFOD	PLPFEN
			-	-	-	-	-	-	0	0

This register is to set "LPF" block for DAC-path(playback) in digital signal flow. This is to set Enable/Disable and filter order. This function is effective for DAC-path(playback) at "PLPFEN=1" and "SEMODE[7]=1".

PLPFEN

This bit is to set Enable/Disable of low pass filter for DAC-path.

setting	Description
0	LPF for DAC-path is Disable
1	LPF for DAC-path is Enable

PLPFOD

This bit is to set number of low pass filter order for DAC-path.

setting	Description
0	LPF for DAC-path is second-order
1	LPF for DAC-path is first-order

Play Programmable LPF Coef (L) Register

Play Programmable LPF Coef (H) Register

MAPCON	INDEX		b07 (Initial)	b06	b05	b04	b03	b02	b01	b00
	R	W								
0x1	0xa2	0xa3	PLPFC0L							
			0	0	0	0	0	0	0	0
0x1	0xa4	0xa5	PLPFC0H							
			0	0	0	0	0	0	0	0

This register is to set "LPF" block for DAC-path(playback) in digital signal flow. This is to set Enable/Disable and filter order.

PLPFC0L [7:0] / PLPFC0H [7:0]

This bit is to set low pass filter cut off frequency for DAC-path.

This value has to change by Sampling frequency.

Please use Filter Setting Calculation program for \*PLPFC0L / PLPFC0H setting.

Rec Programable LPF Setting Register

MAPCON	INDEX		b07 (Initial)	b06	b05	b04	b03	b02	b01	b00
	R	W								
0x1	0xa6	0xa7	-	-	-	-	-	-	RLPFOD	RLPFEN
			-	-	-	-	-	-	0	0

This register is to set “LPF” block for ADC-path(record) in digital signal flow. This is to set Enable/Disable and filter order.  
 This function is exclusive to “HPF2” controlled by HPF2EN of DSP Filter Function Enable register.  
 This function is effective for ADC-path(record) at “RLPFEN=1” and “SEMODE[7]=1”.

RLPFEN

This bit is to set Enable/Disable of low pass filter for ADC-path.

RLPFEN	Description
0	LPF for DAC-path is Disable (HPF2 is available)
1	LPF for DAC-path is Enable(HPF2 is not available. HPF2EN-bit is not valid)

RLPFOD

This bit is to set number of low pass filter order for ADC-path.

RLPFOD	Description
0	LPF for ADC-path is second-order
1	LPF for ADC-path is first-order

Rec Programable LPF Coef (L) Register  
 Rec Programable LPF Coef (H) Register

MAPCON	INDEX		b07 (Initial)	b06	b05	b04	b03	b02	b01	b00
	R	W								
0x1	0xa8	0xa9	RLPFC0L							
			0	0	0	0	0	0	0	0
0x1	0xaa	0xab	RLPFC0H							
			0	0	0	0	0	0	0	0

This register is to set “LPF” block for ADC-path(playback) in digital signal flow.

RLPFC0L [7:0] / RLPFC0H [7:0]

This bit is to set low pass filter cut off frequency for ADC-path.  
 This value has to change by Sampling frequency.  
 Please use Filter Setting Calculation program for \*RLPFC0L / RLPFC0H setting.

Typical Performance Curves (Reference data)

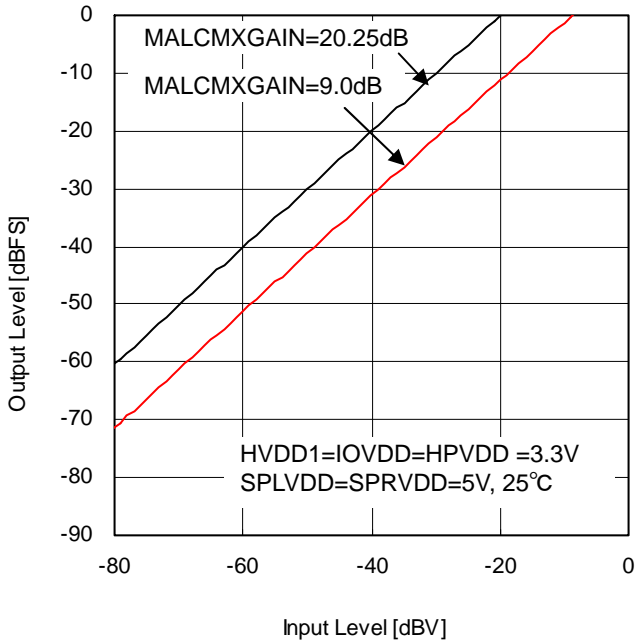


Figure 38.

Input Level [dBV] vs Output Level [dBFS]  
Analog Mic Input tot ADC out, MALCEN=0

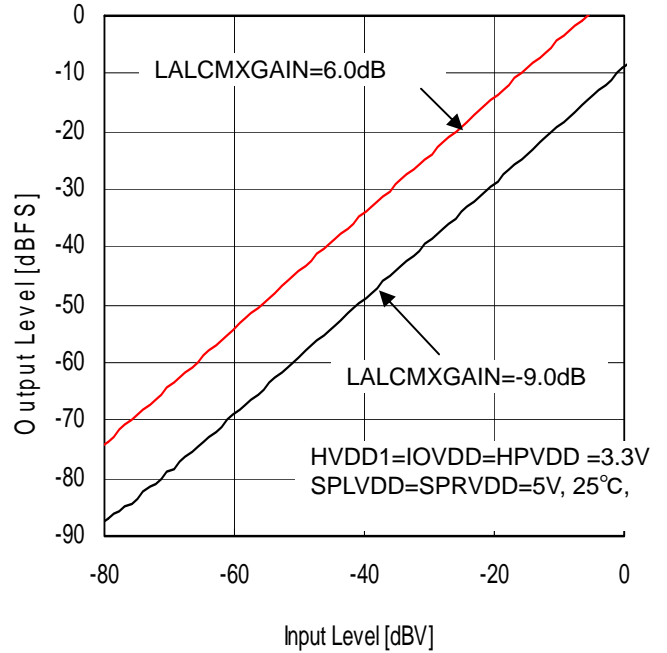


Figure 39.

Input Level [dBV] vs Output Level [dBFS]  
Analog Line Input tot ADC out, LALCEN=0

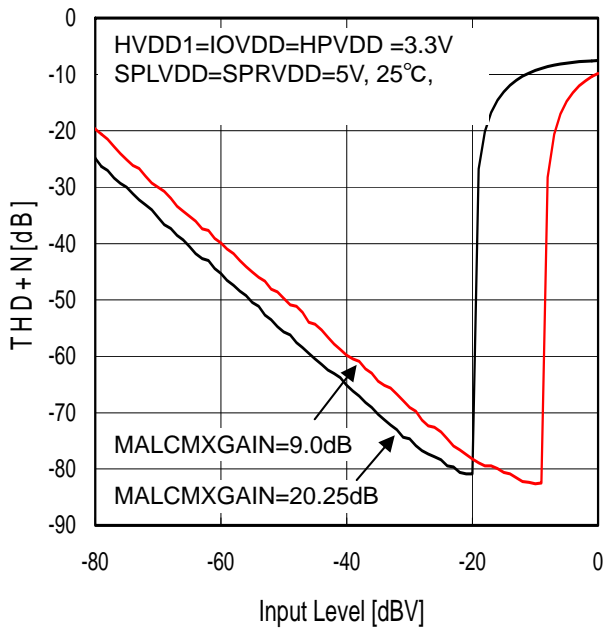


Figure 40.

Input Level [dBV] vs THD+N [dB]  
Analog Mic Input tot ADC out, MALCEN=0

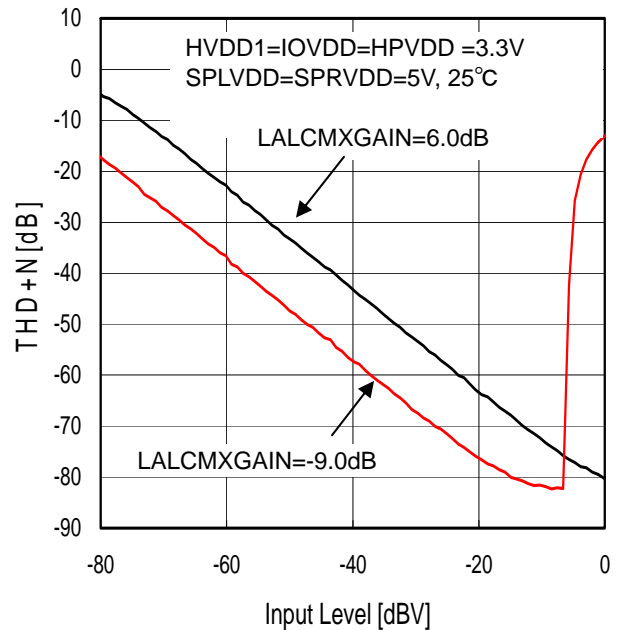


Figure 41.

Input Level [dBV] vs THD+N [dB]  
Analog Line Input tot ADC out, LALCEN=0

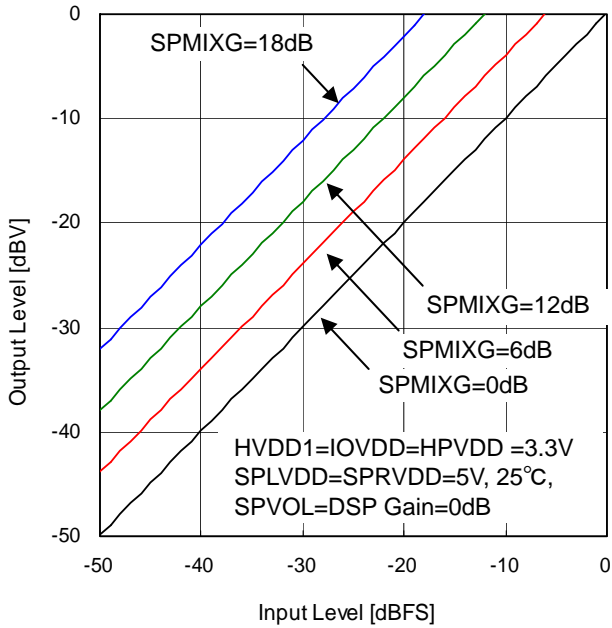


Figure 42.

Input Level [dBFS] vs Output Level [dBV]  
Digital DAC Input to Class-D Speaker output

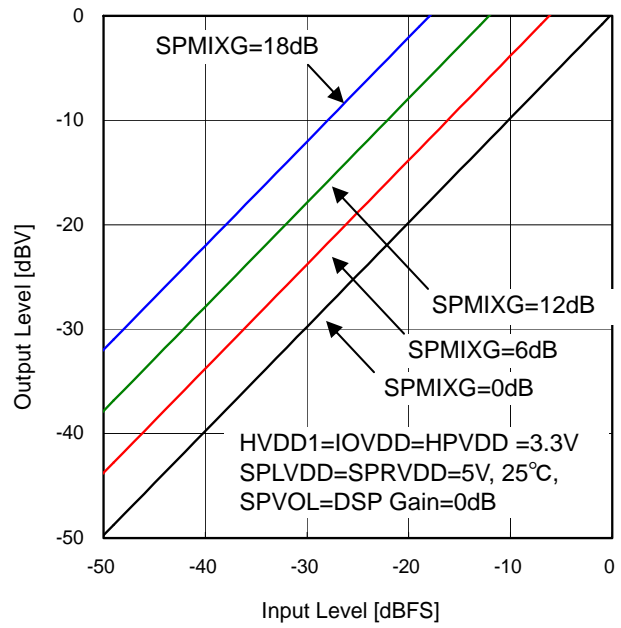


Figure 43.

Input Level [dBFS] vs Output Level [dBV]  
Digital DAC Input to Class-AB Speaker output

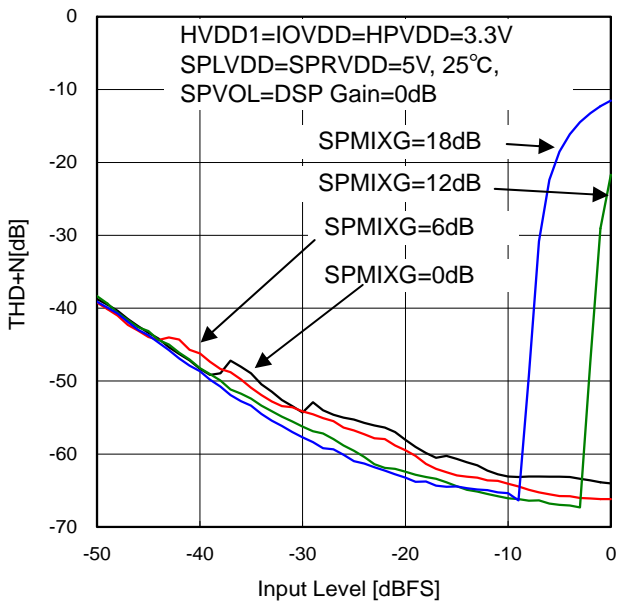


Figure 44.

Input Level [dBFS] vs THD+N [dB]  
Digital DAC Input to Class-D Speaker output

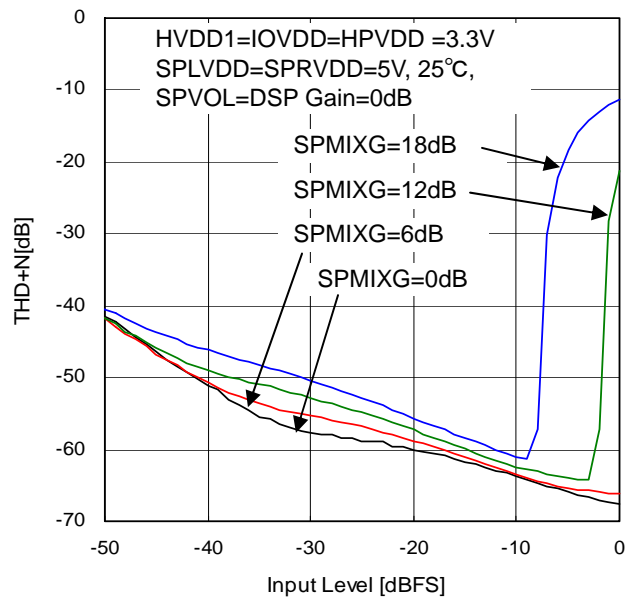


Figure 45.

Input Level [dBFS] vs THD+N [dB]  
Digital DAC Input to Class-AB Speaker output

I/O equivalence circuits

No.	Name	I/O	Power	I/O equivalence circuits
17	MICBIAS	O	HVDD1	
37	VMID	O	REGOUT	
33	PLL	O	REGOUT	
15	BEEPIN	I	REGOUT	
16	MICBIASREF	O	HVDD1	

No.	Name	I/O	Power	I/O equivalence circuits
32 29 24 22	MCLKI SDIN CSB/SCL SCLK/SAD	I	IOVDD	
31 30 26 23 28	BCLK LRCLK IRQB SDATA/SDA SDOUT	IO	IOVDD	
25	RESETB	I	IOVDD	
20	REGOUT	O	HVDD1	
11 12	SPRP SPRM	O	SPRVDD	

No.	Name	I/O	Power	I/O equivalence circuits
14	SPMUTE	I	IOVDD	
8 7	SPLP SPLM	O	SPLVDD	
2 1	HPOUTR HPOUTL	O	HPVDD	
4	HPOUTCAP	O	HPVDD	
38 40 42 39 41 43	LIN1L LIN2L LIN3L LIN1R LIN2R LIN3R	I	REGOUT	
35 34	MINP MINM	I	REGOUT	



## Cautions on use

- 1) Absolute Maximum Ratings  
An excess in the absolute maximum ratings, such as supply voltage, temperature range of operating conditions, etc., can break down devices, thus don't exceed the absolute maximum ratings of supply voltage, temperature. If any special mode exceeding the absolute maximum ratings is assumed, consideration should be given to take physical safety measures including the use of fuses, etc.
- 2) GND voltage  
Make setting of the potential of the GND terminal so that it will be maintained at the minimum in any operating state.
- 3) Short circuit between terminals and erroneous mounting  
In order to mount ICs on a set PCB, pay thorough attention to the direction and offset of the ICs. Erroneous mounting can break down the ICs. Furthermore, if a short circuit occurs due to foreign matters entering between terminals or between the terminal and the power supply or the GND terminal, the ICs can break down.
- 4) Operation in strong electromagnetic field  
Be noted that using ICs in the strong electromagnetic field can malfunction them.
- 5) Thermal design  
If use speaker amplifier function, please consider power dissipation by an actual using status, and perform the thermal design which have a margin enough. If an input signal is made excessive in the state with insufficient heat dissipation, desired output power may not only be securable, but the thermal shutdown may operate.
- 6) Thermal shutdown  
This IC has the thermal shutdown circuit. If the thermal shutdown operates, speaker output terminal and Headphone Output terminal will stop in the open state(high impedance state).The thermal shutdown is only a function for suspending the output operation of IC to the last at the time of the thermal run-away under the abnormal condition in which chip temperature( $T_{jmax}$ ) exceeded 170 degrees. It is a circuit to protect IC, and the purpose is not offering protection and a guarantee of the set.
- 7) Short protection of output terminals  
This IC has the short protect function for output terminals. If the short protect function operates, output terminal will be latched and stop in the open state(high impedance state).After a stop, even if a short state is removed, it does not return to normal operation automatically. Please once write speaker amplifier enable register to make it return.
- 8) Operating condition  
Operating voltage and operating temperature are ranges which perform basic function. Electrical characteristics and absolute maximum rating are not guaranteed in full voltage range or full temperature range.
- 9) Electrical characteristics specification  
Each audio characteristic specification, such as limit output power, total harmonic distortion, the maximum gain, an ALC limit level, and an ALC release level, shows the standard performance of the device, and depends for it on board layout / use parts / power supply part greatly.  
Typical specification value is a value when a device and each parts are directly mounted in the board of Rohm's standard.
- 10) Power supply  
Since the speaker L power supply (SPLVDD) and the speaker R power supply (SPRVDD) are shorted inside IC, please use them as a same power supply.  
Moreover, large peak current rushes into a power supply line at the time of ClassD speaker amplifier use.  
The audio characteristic is affected by the value of a power supply decoupling capacitor, and layout.  
The power supply decoupling capacitor should be layouted (1uF or more) with sufficiently low ESR (equivalent series resistance) to most close of IC terminal.  
Moreover, in the design of a board pattern, the wiring of a power supply / GND line should become low impedance. In that case, even if digital power supply and analog power supply are same potential, please divide the digital power pattern and the analog power pattern and reduce a surroundings lump of the digital noise to the analog power supply by the common impedance of a wiring pattern.  
Please take the same pattern design into consideration also about a GND line. Moreover, while inserting a capacitor between power supply-GND terminals about all the power supply terminals of LSI, and please determine the value of capacitor after sufficient confirmation that there is no problem in the characteristics of capacitors to be used (a capacity omission happens at low temperature) in the case of electrolytic capacitors use.
- 11) External capacitor  
In order to use a ceramic capacitor as the external capacitor, determine the constant with consideration given to a degradation in the nominal capacitance due to DC bias and changes in the capacitance due to temperature, etc.

## 12) Status of this document

The Japanese version of this document is formal specification. A customer may use this translation version only for a reference to help reading the formal version.

If there are any differences in translation version of this document formal version takes priority.

Ordering Information

B U 2 6 1 5 6 R F S

E 2

Package  
RFS:HTSSOP-A44R

Packaging and forming specification  
E2: Embossed tape and reel

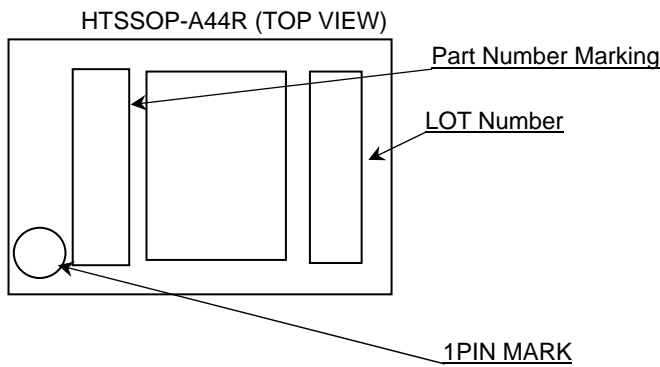
Physical Dimension Tape and Reel Information

<b>Package Name</b>	<b>VQFN040V6060</b>
---------------------	---------------------

<包装仕様>

包装形態	エンボステーピング(防湿仕様)
包装数量	1500pcs
包装方向	E2 (リールを左手に持ち、右手でテープを引き出したときに) 製品の1番ピンが左上にくる方向)

Marking Diagram



## Revision History

Date	Revision	Page	Item	Changes
Jun.24.2014	Rev.001	-	-	Rev.001. Release.

# Notice

## Precaution on using ROHM Products

- Our Products are designed and manufactured for application in ordinary electronic equipments (such as AV equipment, OA equipment, telecommunication equipment, home electronic appliances, amusement equipment, etc.). If you intend to use our Products in devices requiring extremely high reliability (such as medical equipment <sup>(Note 1)</sup>, transport equipment, traffic equipment, aircraft/spacecraft, nuclear power controllers, fuel controllers, car equipment including car accessories, safety devices, etc.) and whose malfunction or failure may cause loss of human life, bodily injury or serious damage to property ("Specific Applications"), please consult with the ROHM sales representative in advance. Unless otherwise agreed in writing by ROHM in advance, ROHM shall not be in any way responsible or liable for any damages, expenses or losses incurred by you or third parties arising from the use of any ROHM's Products for Specific Applications.

(Note1) Medical Equipment Classification of the Specific Applications

JAPAN	USA	EU	CHINA
CLASS III	CLASS III	CLASS II b	CLASS III
CLASS IV		CLASS III	

- ROHM designs and manufactures its Products subject to strict quality control system. However, semiconductor products can fail or malfunction at a certain rate. Please be sure to implement, at your own responsibilities, adequate safety measures including but not limited to fail-safe design against the physical injury, damage to any property, which a failure or malfunction of our Products may cause. The following are examples of safety measures:
  - Installation of protection circuits or other protective devices to improve system safety
  - Installation of redundant circuits to reduce the impact of single or multiple circuit failure
- Our Products are designed and manufactured for use under standard conditions and not under any special or extraordinary environments or conditions, as exemplified below. Accordingly, ROHM shall not be in any way responsible or liable for any damages, expenses or losses arising from the use of any ROHM's Products under any special or extraordinary environments or conditions. If you intend to use our Products under any special or extraordinary environments or conditions (as exemplified below), your independent verification and confirmation of product performance, reliability, etc. prior to use, must be necessary:
  - Use of our Products in any types of liquid, including water, oils, chemicals, and organic solvents
  - Use of our Products outdoors or in places where the Products are exposed to direct sunlight or dust
  - Use of our Products in places where the Products are exposed to sea wind or corrosive gases, including Cl<sub>2</sub>, H<sub>2</sub>S, NH<sub>3</sub>, SO<sub>2</sub>, and NO<sub>2</sub>
  - Use of our Products in places where the Products are exposed to static electricity or electromagnetic waves
  - Use of our Products in proximity to heat-producing components, plastic cords, or other flammable items
  - Sealing or coating our Products with resin or other coating materials
  - Use of our Products without cleaning residue of flux (even if you use no-clean type fluxes, cleaning residue of flux is recommended); or Washing our Products by using water or water-soluble cleaning agents for cleaning residue after soldering
  - Use of the Products in places subject to dew condensation
- The Products are not subject to radiation-proof design.
- Please verify and confirm characteristics of the final or mounted products in using the Products.
- In particular, if a transient load (a large amount of load applied in a short period of time, such as pulse. is applied, confirmation of performance characteristics after on-board mounting is strongly recommended. Avoid applying power exceeding normal rated power; exceeding the power rating under steady-state loading condition may negatively affect product performance and reliability.
- De-rate Power Dissipation (Pd) depending on Ambient temperature (Ta). When used in sealed area, confirm the actual ambient temperature.
- Confirm that operation temperature is within the specified range described in the product specification.
- ROHM shall not be in any way responsible or liable for failure induced under deviant condition from what is defined in this document.

## Precaution for Mounting / Circuit board design

- When a highly active halogenous (chlorine, bromine, etc.) flux is used, the residue of flux may negatively affect product performance and reliability.
- In principle, the reflow soldering method must be used on a surface-mount products, the flow soldering method must be used on a through hole mount products. If the flow soldering method is preferred on a surface-mount products, please consult with the ROHM representative in advance.

For details, please refer to ROHM Mounting specification

**Precautions Regarding Application Examples and External Circuits**

1. If change is made to the constant of an external circuit, please allow a sufficient margin considering variations of the characteristics of the Products and external components, including transient characteristics, as well as static characteristics.
2. You agree that application notes, reference designs, and associated data and information contained in this document are presented only as guidance for Products use. Therefore, in case you use such information, you are solely responsible for it and you must exercise your own independent verification and judgment in the use of such information contained in this document. ROHM shall not be in any way responsible or liable for any damages, expenses or losses incurred by you or third parties arising from the use of such information.

**Precaution for Electrostatic**

This Product is electrostatic sensitive product, which may be damaged due to electrostatic discharge. Please take proper caution in your manufacturing process and storage so that voltage exceeding the Products maximum rating will not be applied to Products. Please take special care under dry condition (e.g. Grounding of human body / equipment / solder iron, isolation from charged objects, setting of Ionizer, friction prevention and temperature / humidity control).

**Precaution for Storage / Transportation**

1. Product performance and soldered connections may deteriorate if the Products are stored in the places where:
  - [a] the Products are exposed to sea winds or corrosive gases, including Cl<sub>2</sub>, H<sub>2</sub>S, NH<sub>3</sub>, SO<sub>2</sub>, and NO<sub>2</sub>
  - [b] the temperature or humidity exceeds those recommended by ROHM
  - [c] the Products are exposed to direct sunshine or condensation
  - [d] the Products are exposed to high Electrostatic
2. Even under ROHM recommended storage condition, solderability of products out of recommended storage time period may be degraded. It is strongly recommended to confirm solderability before using Products of which storage time is exceeding the recommended storage time period.
3. Store / transport cartons in the correct direction, which is indicated on a carton with a symbol. Otherwise bent leads may occur due to excessive stress applied when dropping of a carton.
4. Use Products within the specified time after opening a humidity barrier bag. Baking is required before using Products of which storage time is exceeding the recommended storage time period.

**Precaution for Product Label**

QR code printed on ROHM Products label is for ROHM's internal use only.

**Precaution for Disposition**

When disposing Products please dispose them properly using an authorized industry waste company.

**Precaution for Foreign Exchange and Foreign Trade act**

Since our Products might fall under controlled goods prescribed by the applicable foreign exchange and foreign trade act, please consult with ROHM representative in case of export.

**Precaution Regarding Intellectual Property Rights**

1. All information and data including but not limited to application example contained in this document is for reference only. ROHM does not warrant that foregoing information or data will not infringe any intellectual property rights or any other rights of any third party regarding such information or data. ROHM shall not be in any way responsible or liable for infringement of any intellectual property rights or other damages arising from use of such information or data.:
2. No license, expressly or implied, is granted hereby under any intellectual property rights or other rights of ROHM or any third parties with respect to the information contained in this document.

**Other Precaution**

1. This document may not be reprinted or reproduced, in whole or in part, without prior written consent of ROHM.
2. The Products may not be disassembled, converted, modified, reproduced or otherwise changed without prior written consent of ROHM.
3. In no event shall you use in any way whatsoever the Products and the related technical information contained in the Products or this document for any military purposes, including but not limited to, the development of mass-destruction weapons.
4. The proper names of companies or products described in this document are trademarks or registered trademarks of ROHM, its affiliated companies or third parties.

**General Precaution**

1. Before you use our Products, you are requested to carefully read this document and fully understand its contents. ROHM shall not be in any way responsible or liable for failure, malfunction or accident arising from the use of any ROHM's Products against warning, caution or note contained in this document.
2. All information contained in this document is current as of the issuing date and subject to change without any prior notice. Before purchasing or using ROHM's Products, please confirm the latest information with a ROHM sales representative.
3. The information contained in this document is provided on an "as is" basis and ROHM does not warrant that all information contained in this document is accurate and/or error-free. ROHM shall not be in any way responsible or liable for any damages, expenses or losses incurred by you or third parties resulting from inaccuracy or errors of or concerning such information.