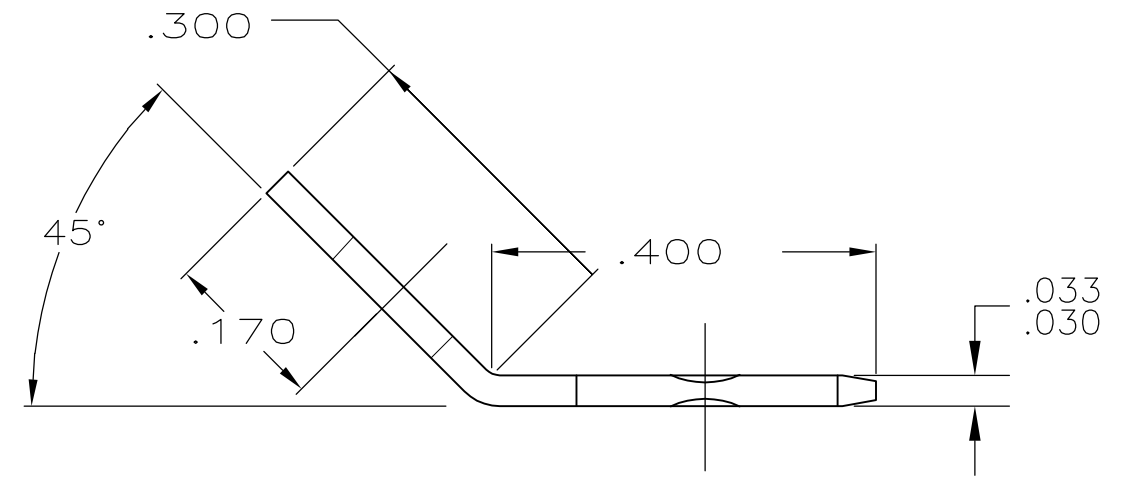
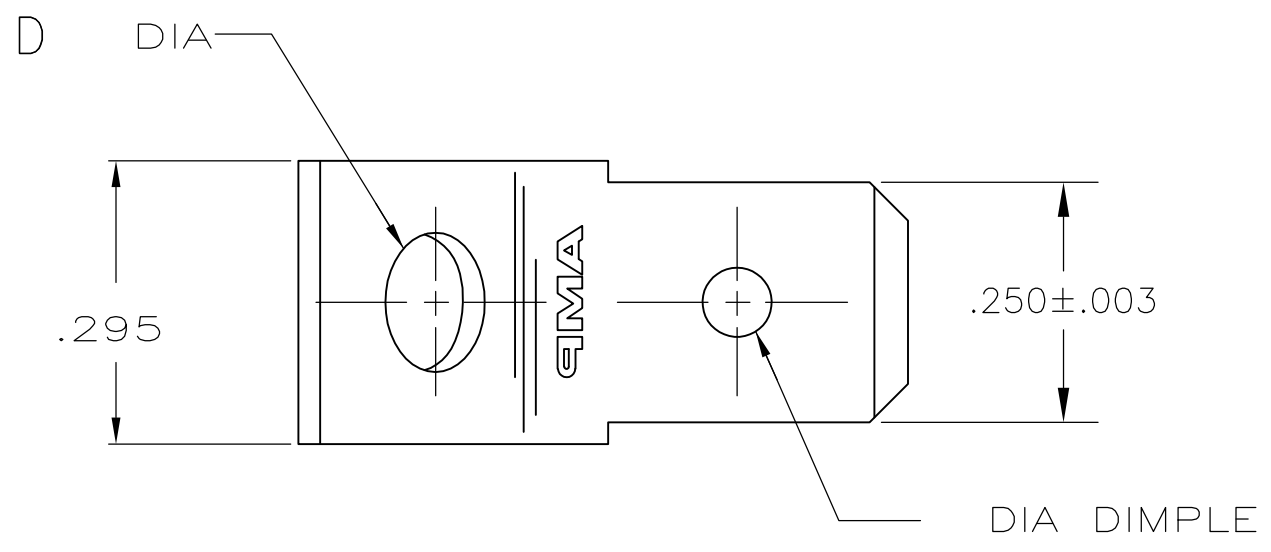


THIS DRAWING IS UNPUBLISHED. RELEASED FOR PUBLICATION
 © COPYRIGHT - By - ALL RIGHTS RESERVED.

LOC	DIST	REVISIONS			
P	LTR	DESCRIPTION	DATE	DWN	APVD
AF	50	R2	REVISED PER ECO-11-016141	09AUG11	JR PD



- 1 SUPPLIED IN LOOSE PIECE FORM.
- △2 FOREIGN PRODUCTION ONLY.
- △3 TIN PLATE
- △4 .000150 MIN SILVER PLATE
- △5 .000015 MIN GOLD OVER .000050 MIN NICKEL
- △6 .000030 MIN GOLD OVER .000050 MIN NICKEL
- △7 PRELIMINARY - NOT FOR PRODUCTION

	1/2 HARD STAINLESS STEEL	-	.145 ±.005	42822-8
	082 BRASS	△6	.145 ±.005	△7 42822-7
	082 BRASS	△5	.145 ±.005	△7 42822-6
OBSOLETE	082 BRASS		.145 ±.005	△2 42822-5
	082 BRASS	△3	.145 ±.005	42822-4
OBSOLETE	082 BRASS	△4	.130 ±.005	42822-3
	082 BRASS	△3	.130 ±.005	42822-2
OBSOLETE	082 BRASS		.130 ±.005	42822-1
	MATERIAL	FINISH	D DIM	PART NO

THIS DRAWING IS A CONTROLLED DOCUMENT.		DWN	JR RUTH	6/7/91	STE TE Connectivity
		CHK	MS FEHER	6/7/91	
		APVD	R BEAVER	6/7/91	
		PRODUCT SPEC			
DIMENSIONS: INCHES		TOLERANCES UNLESS OTHERWISE SPECIFIED:		NAME	
		0 PLC	± -	TAB, FASTON, .250 SERIES	
		1 PLC	± -		
		2 PLC	± -	SIZE CAGE CODE DRAWING NO RESTRICTED TO A3 00779 C-42822 -	
		3 PLC	± .015		
MATERIAL SEE TABLE		4 PLC	± -	SCALE 5:1 SHEET 1 OF 1 REV R2	
		ANGLES	± -		
FINISH SEE TABLE		WEIGHT -		CUSTOMER DRAWING	