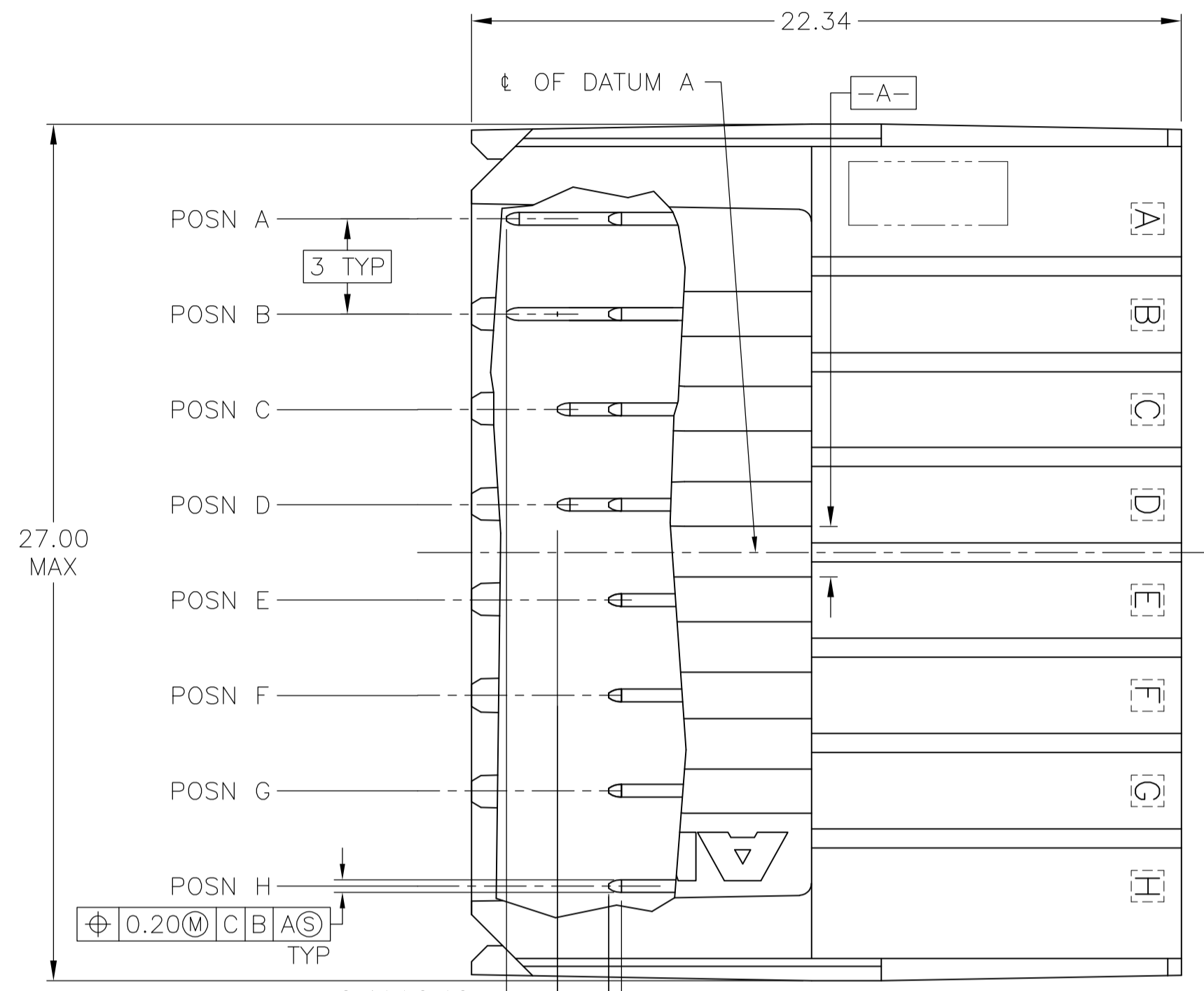
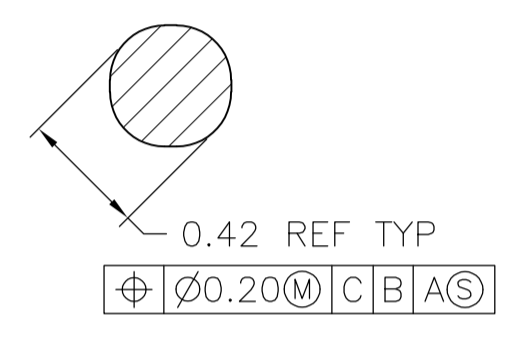


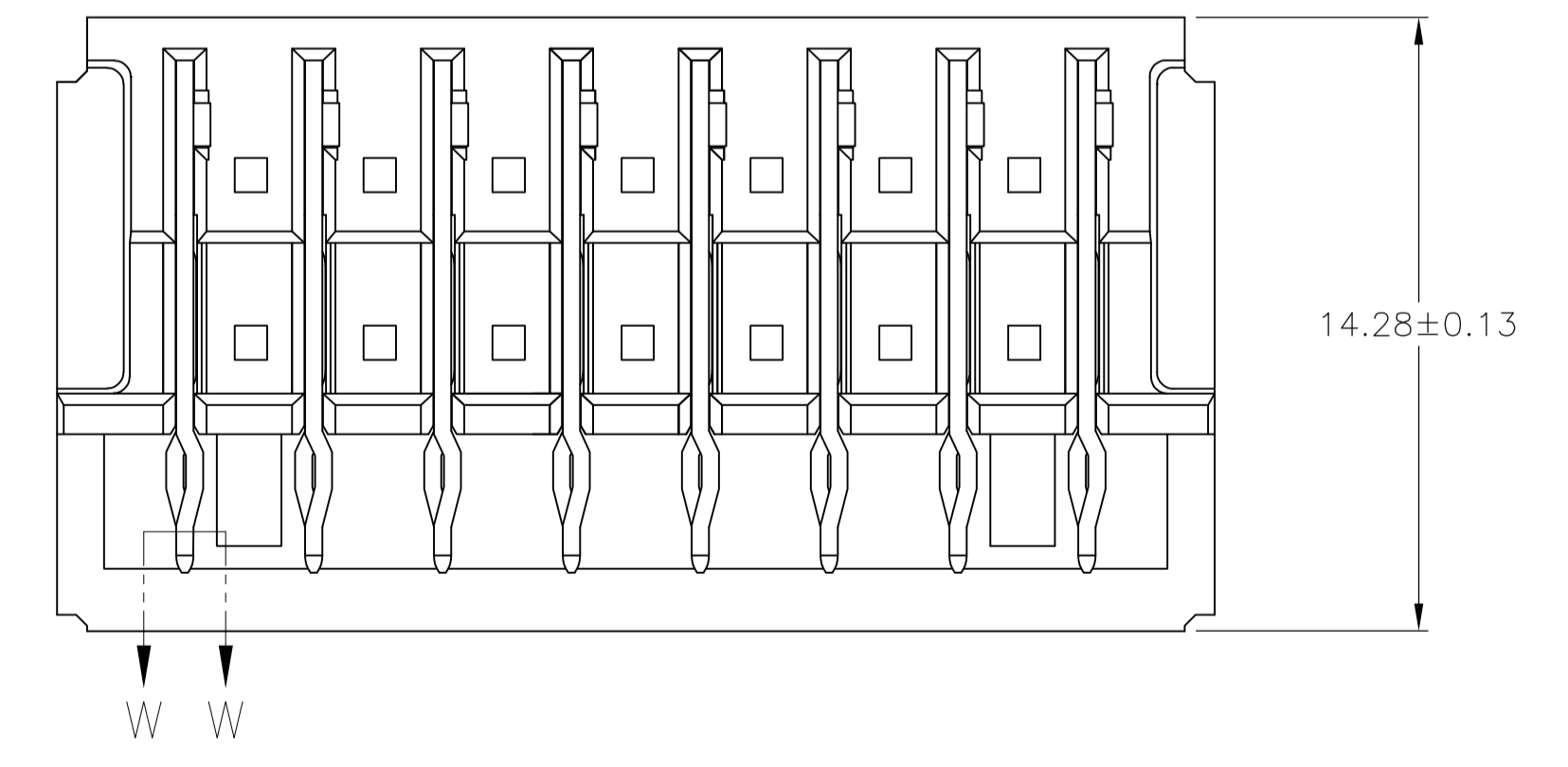
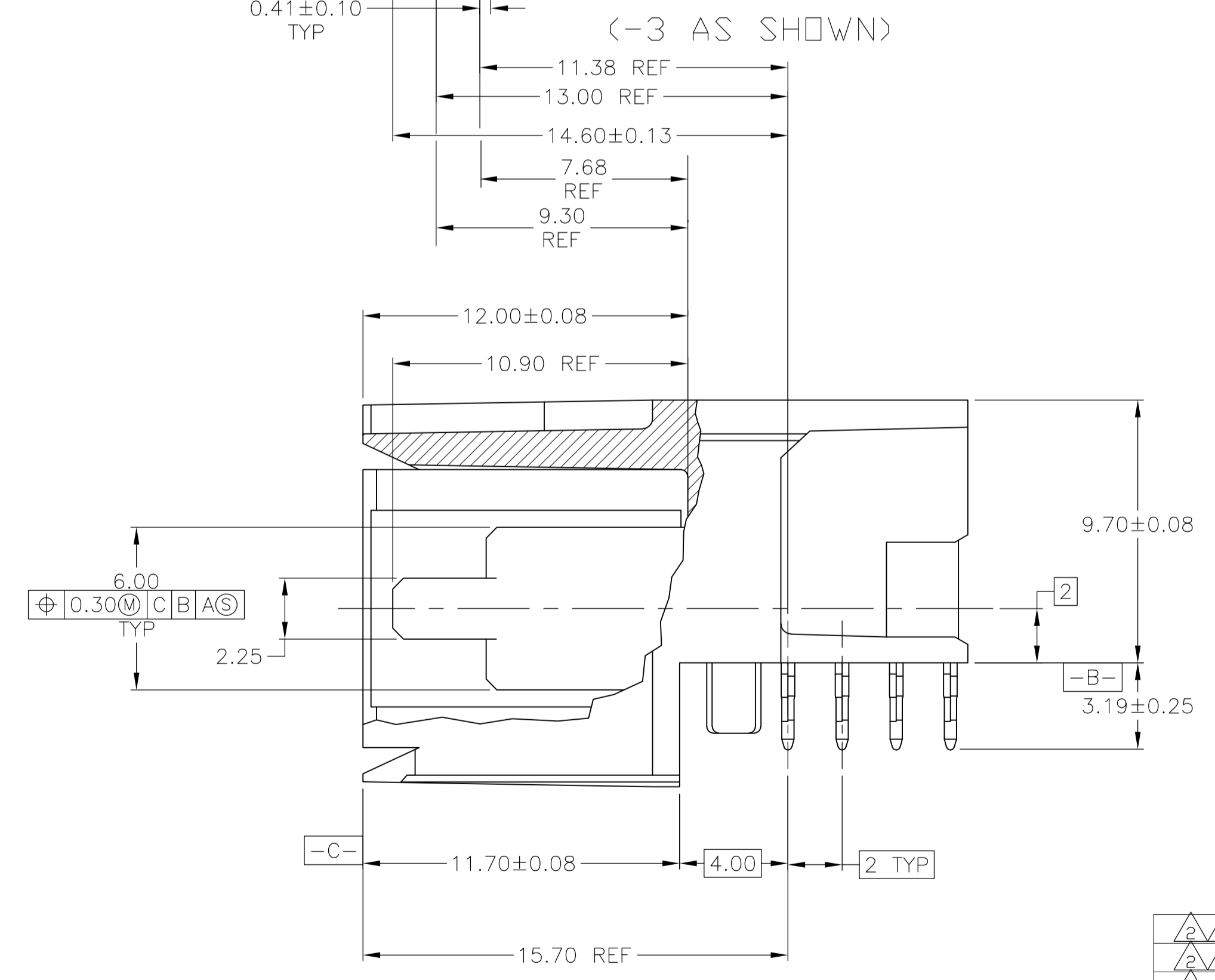
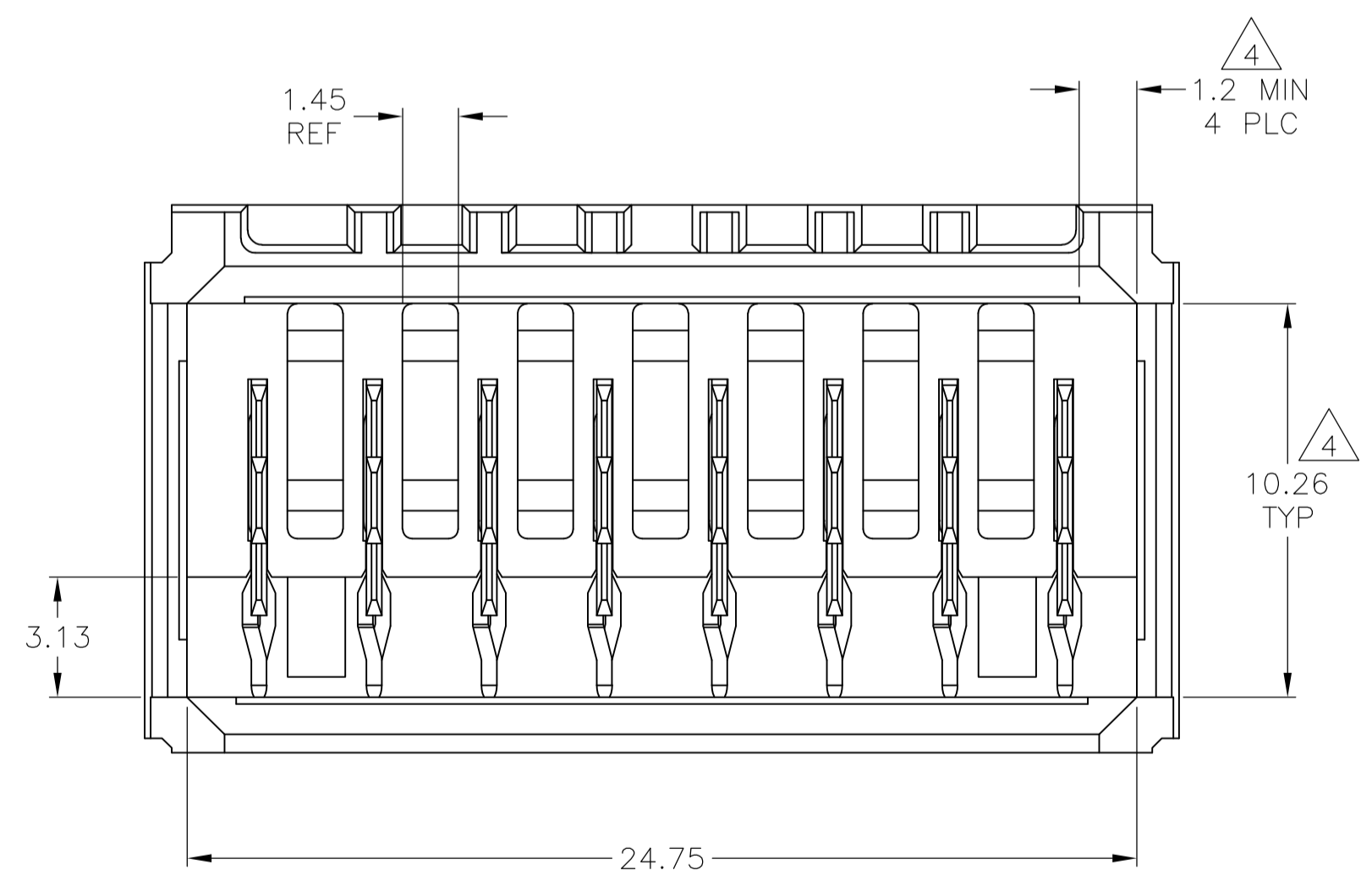
RECOMMENDED PCB HOLE LAYOUT



- 1 MATERIAL: HOUSING: POLYESTER. COLOR: GRAY. UL 94V-0. CONTACT: PHOSPHOR BRONZE.
- 2 FINISH: CONTACT MATING AREA: 1.27µm MIN GOLD OR 0.08µm MIN GOLD OVER 0.76µm MIN PALLADIUM-NICKEL. ACTION PIN AREA: 0.5µm MIN TIN LEAD PLATE, ALL OVER 1.27µm MIN NICKEL UNDERPLATE.
- 3 FINISH: CONTACT LUBRICATION WITH BELLCORE APPROVED LUBRICANT. TECHNICAL REFERENCE: GR-1217-CORE, ISSUE 1, NOVEMBER 1995.
- 4 THE 10.26±0.13 DIMENSION APPLIES IN THIS AREA.
- 5 REFERENCE APPLICATION SPEC 114-1103 FOR RECOMMENDED PLATED THRU HOLE DIAMETER AND PLATING THICKNESSES.
6. CURRENT RATING 10A/CONTACT PER PRODUCT SPEC 108-1651.



SECTION W-W
SCALE 40:1



| | | | | | |
|--------|--|---|---|------------------------|-------------|
| 2/3 | G,H | E,F | A,B,C,D | 8 | 646958-4 |
| 2/3 | A,B | C,D | E,F,G,H | 8 | 646958-3 |
| 2/3 | A,C,E,G | - | B,D,F,H | 8 | 646958-2 |
| 2/3 | A,B,C,D,E,F,G,H | - | - | 8 | 646958-1 |
| FINISH | POSITIONS LOADED WITH 10.90 REF CONTACTS | POSITIONS LOADED WITH 9.30 REF CONTACTS | POSITIONS LOADED WITH 7.68 REF CONTACTS | NO OF LOADED POSITIONS | PART NUMBER |

THIS DRAWING IS A CONTROLLED DOCUMENT.

| | | | | | | | |
|----------------|--|-----------|-----------|--------------|-----------|-----------|------------|
| DIMENSIONS: mm | TOLERANCES UNLESS OTHERWISE SPECIFIED: | 0 PLC ± - | 1 PLC ± - | 2 PLC ± 0.13 | 3 PLC ± - | 4 PLC ± - | ANGLES ± - |
|----------------|--|-----------|-----------|--------------|-----------|-----------|------------|

MATERIAL 1 FINISH 2 3

THIS DRAWING IS A CONTROLLED DOCUMENT. BY: B. CARDO 100CT01
 CHK: R. PATTERSON 100CT01
 APVD: R. PATTERSON 100CT01
 NAME: R. PATTERSON
 PRODUCT SPEC: ASSEMBLY, RIGHT ANGLE HEADER, W/ RETENTION PEGS, UNIVERSAL POWER MODULE

SIZE: A1
 CAGE CODE: 00779
 DRAWING NO: 646958
 WEIGHT: -
 CUSTOMER DRAWING

Tyco Electronics Corporation
 Harrisburg, Pa 17105-3608

SCALE: 6:1 SHEET: 1 of 1 REV: H