

LTC4070EDDB: Simple Low-Iq Battery Charger/Protector With NTC Thermistor Input

DESCRIPTION

Demonstration Circuit DC1584A is a Simple Low-Iq Battery Charger/Protector With NTC Thermistor featuring the LTC[®]4070EDDB.

PERFORMANCE SUMMARY Specifications are at T_θ = 25°C

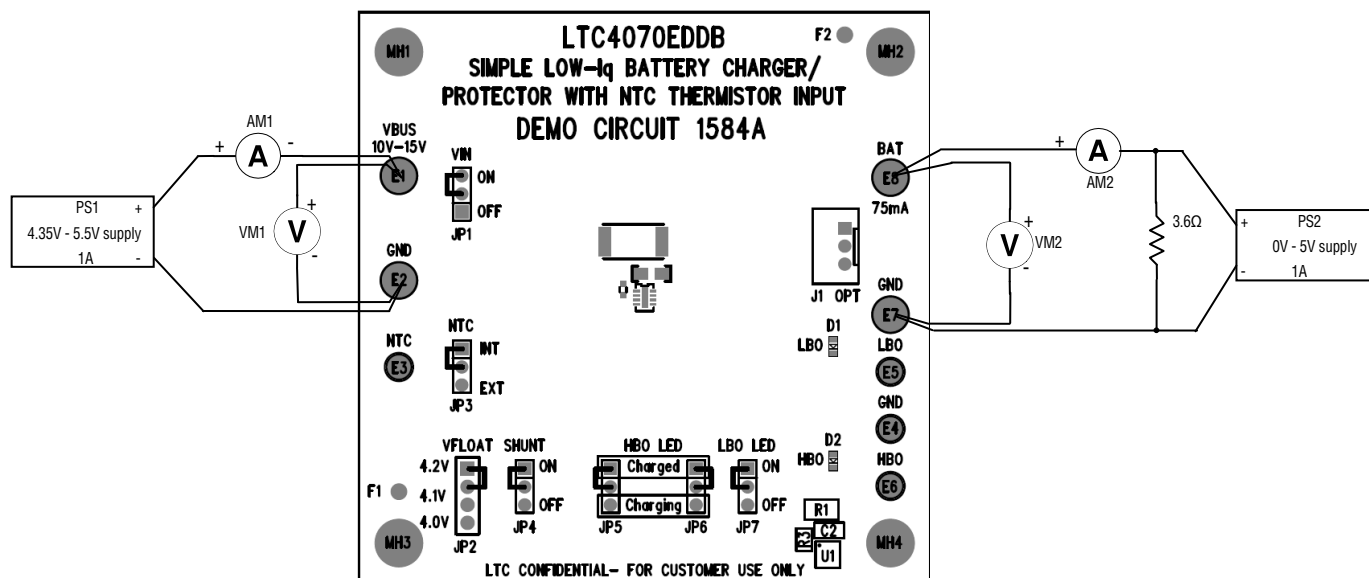
SYMBOL	PARAMETER	CONDITIONS	MIN	TYP	MAX	UNITS
VBUS	Input voltage	R _{LIMIT} = 169Ω	10	12	16	V
V(BAT)	Battery Float Voltage	'VFLOAT' jumper on 4.1V, Constant Voltage Mode. T _{NTC} = 25°C	4.059		4.141	V
I(BAT)	Battery Charge Current	Constant Current Mode, V _{in} = 12V, V _{CC} = 3.8V		49.7		mA

QUICK START PROCEDURE

Refer to Figure 1 for the proper measurement equipment setup and jumper settings and follow the procedure below.

NOTE. When measuring the input or output voltage ripple, care must be taken to avoid a long ground lead on the oscilloscope probe. Measure the input or output voltage ripple by touching the probe tip directly across the VBUS or V_{CC} and GND terminals. See Figure 2 for proper scope probe technique.

1. Set PS1 = 12V, PS2 = 3.6V, "VFLOAT" (JP2) to 4.1V. Observe I(VBUS) (AM1). The voltage on the battery is below the LTC4070EDDB's float voltage. So all the current is flowing into the battery, and that current is $(12V - 3.6V) / 169(R1) = 49.7mA$.
2. If "LBO" LED lit, decrease PS2 until off. Observe BAT (VM2). The LBO output goes high when the battery voltage is below 3.2V, but it has 200-300mV of hysteresis. So it may not go low until 3.5V, with V_{CC} ↑.
3. Increase PS2 until LBO is lit. Observe BAT (VM2).
4. Increase PS2 until HBO lit. Observe BAT (VM2). The HBO LED will light when the battery voltage is within ~50mV of the float voltage.
5. Disconnect PS2, AM2, and 3.6Ω resistor. Observe BAT (VM2). The only limit to the V_{CC} voltage now is the LTC4070, so the voltage will rise to the float voltage.
6. Reset the Jumpers to their default position.



Note: All connections from equipment should be Kelvin connected directly to the board pins which they are connected on this diagram and any input or output leads should be twisted pair.

Figure 1. Proper Measurement Equipment Setup for DC1584A

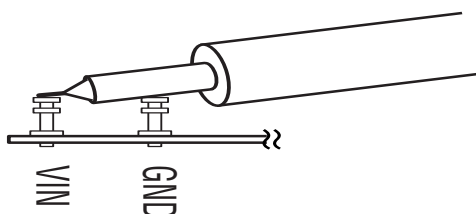


Figure 2. Measuring Input or Output Ripple

REVISION HISTORY				
ECO	REV	DESCRIPTION	APPROVED	DATE
	A	PRODUCTION RELEASE	NJC	10/19/09

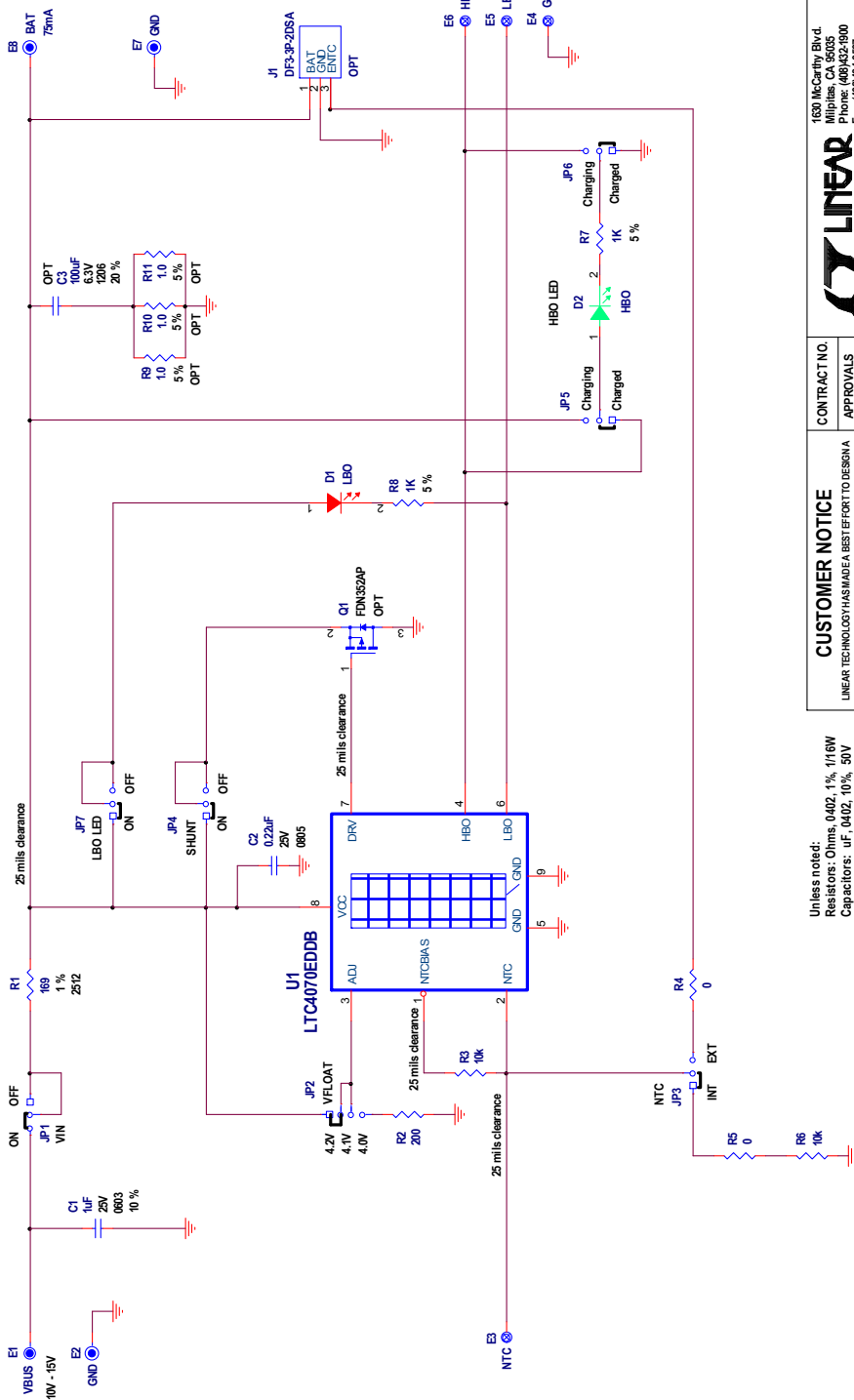


Figure 3. Schematic

CONTRACT NO.		1630 McCarty Blvd. Milpitas, CA 95035 Phone: (408)424-1800 Fax: (408)424-1801 LTC Confidential For Customer Use Only	
APPROVALS		DRAWN: [Signature] CHECKED: [Signature] APPROVED: [Signature] ENGINEER: [Signature] DESIGNER: [Signature]	
CUSTOMER NOTICE		LINEAR TECHNOLOGY HAS MADE A BEST EFFORT TO DESIGN A CIRCUIT THAT MEETS CUSTOMER-SUPPLIED SPECIFICATIONS. HOWEVER, IT REMAINS THE CUSTOMER'S RESPONSIBILITY TO VERIFY PROPER AND RELIABLE OPERATION IN THE ACTUAL APPLICATION. COMPONENT SUBSTITUTION AND PRINTED CIRCUIT BOARD MANUFACTURING VARIATIONS MAY AFFECT CIRCUIT PERFORMANCE OR RELIABILITY. CONTACT LINEAR TECHNOLOGY APPLICATIONS ENGINEERING FOR ASSISTANCE.	
TITLE:		LTC4070EDDB: SIMPLE LOW - Iq BATTERY CHARGER / PROTECTOR WITH NTC THERMISTOR INPUT	
SIZE		X	
DWG NO.		DC1584A	
REV		A	
DATE:		Wednesday, November 04, 2009	
SHEET		1 OF 1	

Unless noted:
Resistors: 0.1%, 1%, 1/16W
Capacitors: 1uF, 0.402, 10%, 50V

Qty	Reference	Part Description	Manufacture / Part #
REQUIRED CIRCUIT COMPONENTS:			
1	C1	CAP, CHIP, X5R, 1 μ F, \pm 20%, 25V, 0603	AVX, 06033D105MAT2A
2	C2	CAP, CHIP, X7R, 0.22 μ F, \pm 10%, 25V, 0805	VISHAY, VJ0805Y224KXXA
3	R1	RES, CHIP, 169 Ω , \pm 1%, 1W, 2512	VISHAY, CRCW2512169RFKED
4	R2	RES, CHIP, 200 Ω , \pm 1%, 1/16W, 0402	VISHAY, CRCW0402200RFKED
5	R3, R6	RES, CHIP, 10k Ω , \pm 1%, 1/16W, 0402	VISHAY, CRCW040210K0FKED
6	R4, R5	RES, CHIP, 0 Ω jumper, 1/16W, 0402	VISHAY, CRCW04020000Z0ED
7	R7, R8	RES, CHIP, 1k Ω , \pm 5%, 1/16W, 0402	VISHAY, CRCW04021K00JNED
8	U1	IC, SMT, SIMPLE LOW-Iq BATTERY CHARGER / PROTECTOR WITH NTC THERMISTOR INPUT	LINEAR TECH., LTC4070EDDB
ADDITIONAL DEMO BOARD CIRCUIT COMPONENTS:			
1	C3-OPT	CAP, CHIP, X5R, 100 μ F, \pm 20%, 6.3V, 1206	MURATA, GRM31CR60J107ME39L
2	D1	DIODE, LED, RED, 0603	Panasonic, LNJ208R8ARA
3	D2	DIODE, LED, GREEN, 0603	LITE-ON, LTST-C190KGKT
4	Q1-OPT	MOSFET, P-channel, -30V, -1.1A, 0.30 Ω , SSOT-23	FAIRCHILD, FDN352AP
5	R9-OPT, R10-OPT, R11-OPT	RES, CHIP, 1 Ω , \pm 5%, 1/16W, 0402	VISHAY, CRCW04021R00JNED
HARDWARE FOR DEMO BOARD ONLY:			
1	E1-2, E7-8	TURRET, 0.09 DIA	MILL-MAX, 2501-2-00-80-00-00-07-0
2	E3-6	TURRET, 0.061 DIA	MILL-MAX, 2308-2-00-80-00-00-07-0
3	J1-OPT	CONN, 3 Pin Polarized	HIROSE, DF3-3P-2DSA
4	JP1, JP3-7	3 Pin Jumper, 2mm	SAMTEC, TMM-103-02-L-S
5	JP2	4 Pin Jumper, 2mm	SAMTEC, TMM-104-02-L-S
6	JP1-7	SHUNT, 2mm	SAMTEC, 2SN-KB-G
7		STAND-OFF, NYLON, 0.375"	KEYSTONE, 8832

Figure 4. Bill of Materials