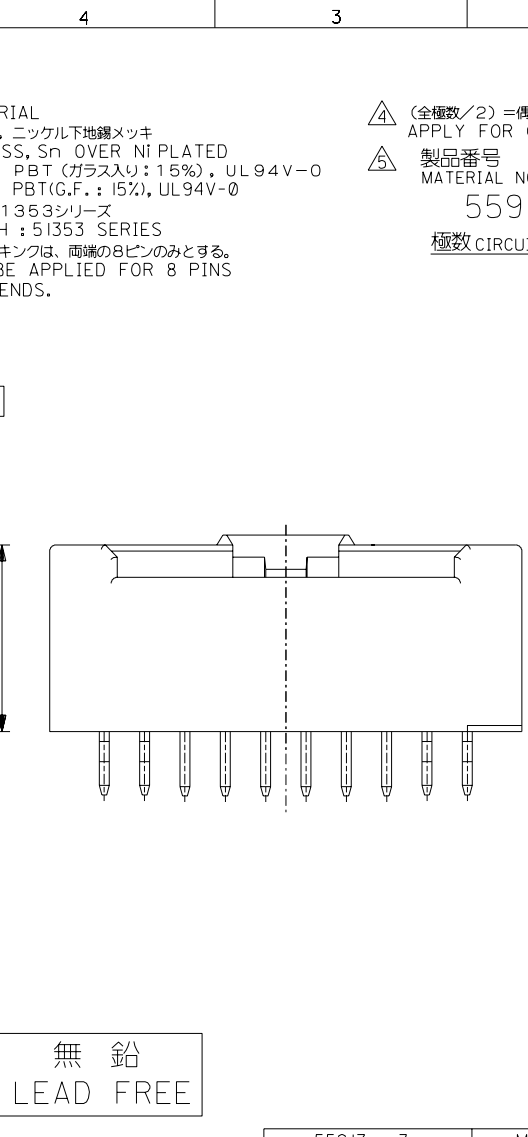
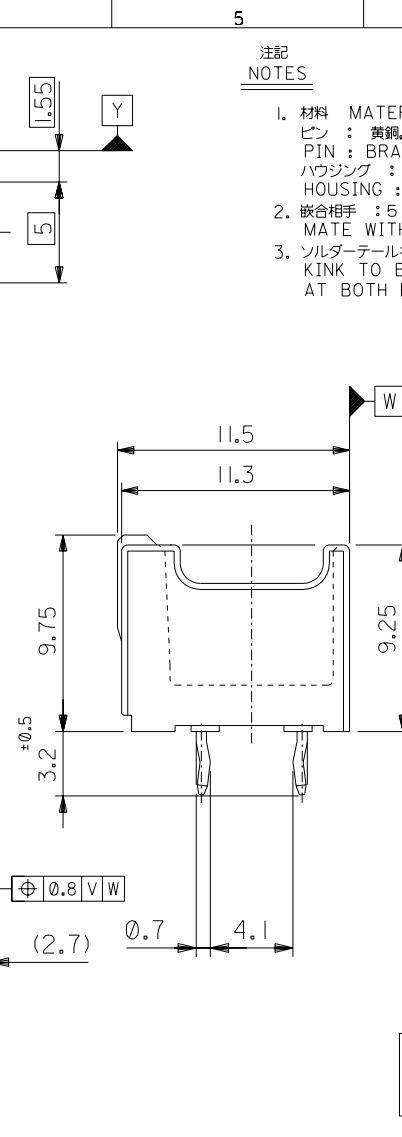
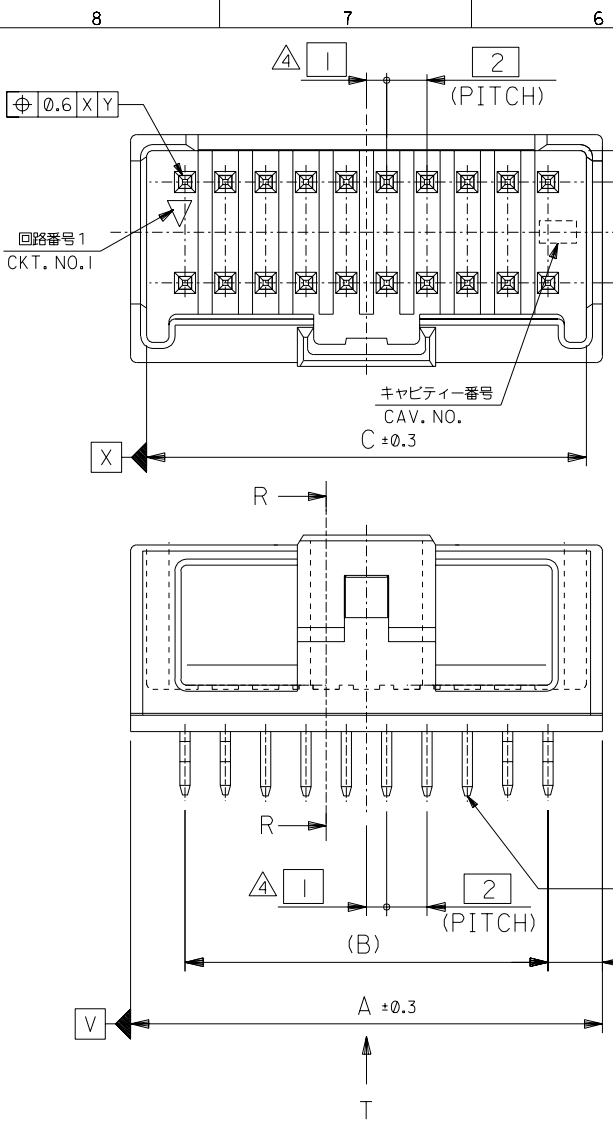


DO NOT SCALE DRAWING



注記
NOTES

- 材料 MATERIAL
ピン : 黄銅, ニッケル下地鍍メッキ
PIN : BRASS, Sn OVER Ni PLATED
ハウジング : PBT (ガラス入り: 15%), UL94V-0
HOUSING : PBT(G.F.: 15%), UL94V-0
- 嵌合相手 : 51353シリーズ
MATE WITH : 51353 SERIES
- ソルダーテールキンは、両端の8ピンのみとする。
KINK TO BE APPLIED FOR 8 PINS AT BOTH ENDS.

△ (全極数/2) = 偶数の場合に適用。
APPLY FOR (CIRCUIT/2)=EVEN

△ 製品番号
MATERIAL NO.
55917-***3*
極数 CIRCUIT SIZE 色 COLOR

ナチュラル (白) NATURAL (WHITE)	0
黒 BLACK	1
赤 RED	2
黄 YELLOW	3
青 BLUE	4
桃 PINK	5
緑 GREEN	6
茶 BROWN	7
橙 ORANGE	8
紫 VIOLET	9

41.8	38	43.4	55917-403*	40
39.8	36	41.4	-383*	38
37.8	34	39.4	-363*	36
35.8	32	37.4	-343*	34
33.8	30	35.4	-323*	32
31.8	28	33.4	-303*	30
29.8	26	31.4	-283*	28
27.8	24	29.4	-263*	26
25.8	22	27.4	-243*	24
23.8	20	25.4	-223*	22
21.8	18	23.4	-203*	20
19.8	16	21.4	-183*	18
17.8	14	19.4	-163*	16
15.8	12	17.4	-143*	14
13.8	10	15.4	-123*	12
11.8	8	13.4	-103*	10
9.8	6	11.4	55917-083*	8
C	B	A	MATERIAL NO.	CKT.

無鉛
LEAD FREE

REVISED	REVISED	REVISED	RELEASED
63NO. J2003-3290 DRWN:N.IITO '03/06/26 CHK: K.ASAKAWA APPR:T.YAMAGUCHI	62NO. J2003-3134 DRWN:N.IITO '03/06/19 CHK: K.ASAKAWA APPR:T.YAMAGUCHI	61NO. J2002-2307 DRWN:N.IITO '02/03/18 CHK: K.ASAKAWA APPR:T.YAMAGUCHI	60NO. J2002-1826 DRWN:N.IITO '02/02/28 CHK: K.ASAKAWA APPR:T.YAMAGUCHI
C	B	A	0

MATERIAL 材料	注記参照 SEE NOTES
FINISH 仕上げ	//
WIRE RANGE 適用線径範囲	//
INS. RANGE 被覆外径	//

GENERAL TOLERANCES: (UNLESS SPECIFIED) 一般公差	SCALE //	DESIGN UNITS <input checked="" type="checkbox"/> mm <input type="checkbox"/> INCH
10 UNDER 未満	±0.2	
10 OVER 30 UNDER 未満	±0.25	
30 OVER 以上	±0.3	
ANGLE 角度	±3°	

55917-***3*		MODEL NO.	DIMENSIONS: 2.0mm W+T-B DUAL CONN DIP		SHT	REV
<input checked="" type="checkbox"/> FIRST ANGLE PROJECTION	<input type="checkbox"/> mm <input type="checkbox"/> INCH	<input type="checkbox"/> mm ONLY	<input type="checkbox"/> mm ONLY	<input checked="" type="checkbox"/> mm ONLY	<input type="checkbox"/> INCH ONLY	<input type="checkbox"/> INCH ONLY
DRAWN BY & DATE N.IITO '02/02/28		TITLE: 2.0mm W+T-B DUAL CONN DIP PLUG HOUSING ASS'Y ST (WITHOUT BOSS)				
CHECKED BY & DATE K.ASAKAWA '03/06/26		MOLEX INCORPORATED				
APPROVED BY & DATE T.YAMAGUCHI '03/06/26		MATERIAL NO.	DRAWING NO.	SHEET NO.		
CAD FILENAME 55917005.S01		SEE CHART	SD-55917-005	1 OF 2		
*2888 DRAWING CONTAINS INFORMATION THAT IS PROPRIETARY TO MOLEX INCORPORATED AND SHOULD NOT BE USED WITHOUT WRITTEN PERMISSION.						
					SIZE B	

DO NOT SCALE DRAWING

DWG. NO. SD-55917-005

F

D

V

C

B

REV

8

7

6

5

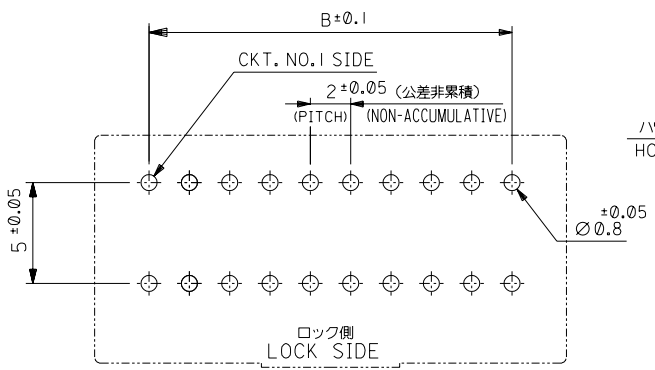
4

3

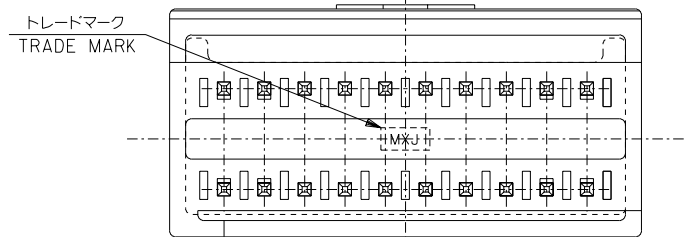
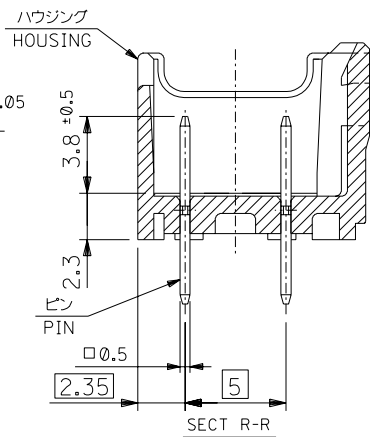
2

1

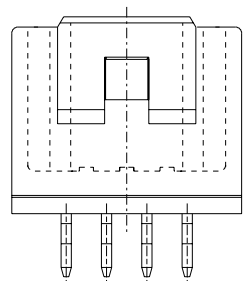
F
E
D
C
B
A



基板取付穴推奨寸法 (マウント面)
RECOMMENDED P.C.BOARD
HOLE DIMENSION
(MOUNTING SIDE)
(t = 1.2, 1.6)

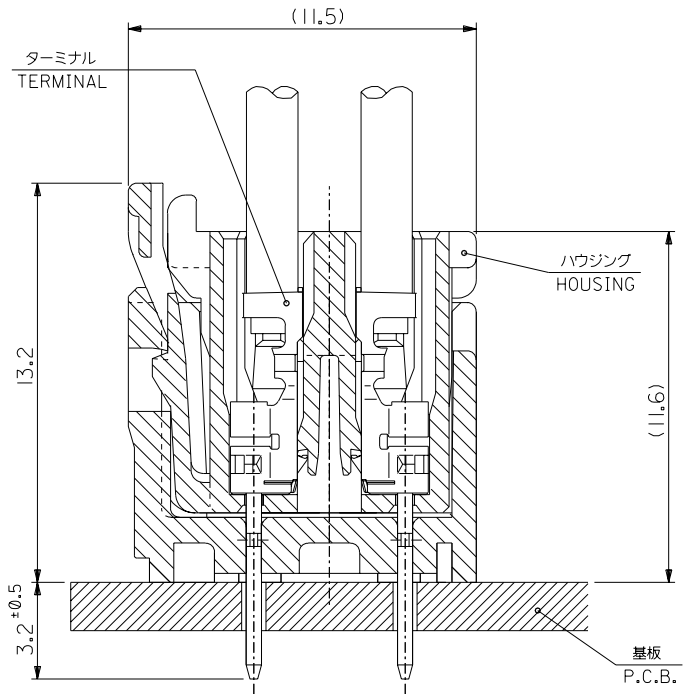


VIEW *T*



8 CIRCUIT

無鉛
LEAD FREE



嵌合断面図 (参考)
MATED DRAWING (REF.)

684NO. DRWN: CH'K: APPR: REVISED 63NO. J2003-3290 DRWN:N.ITO '03/06/26 CH'K: K.ASAKAWA APPR:T.YAMAGUCHI REVISED 62NO. J2003-3134 DRWN:N.ITO '03/06/19 CH'K: K.ASAKAWA APPR:T.YAMAGUCHI REVISED 61NO. J2002-2307 DRWN:N.ITO '02/03/18 CH'K: K.ASAKAWA APPR:T.YAMAGUCHI RELEASED 60NO. J2002-1826 DRWN:N.ITO '02/02/28 CH'K: K.ASAKAWA APPR:T.YAMAGUCHI	MATERIAL 材料 注記参照 SEE NOTES FINISH 仕上げ // WIRE RANGE 適用線径範囲 // INS. RANGE 被覆外径 //
--	--

GENERAL TOLERANCES: (UNLESS SPECIFIED) 一般公差 10 UNDER 未滿 30 UNDER 未滿 30 OVER 以上 ANGLE 角度 ±0.2 ±0.25 ±0.3 ±3°

55917-***3*		MODEL NO.	DIMENSIONS:		SHT	REV
SCALE 4:1	DESIGN UNITS <input checked="" type="checkbox"/> mm <input type="checkbox"/> INCH	<input checked="" type="checkbox"/> THIRD ANGLE PROJECTION	<input type="checkbox"/> mm <input type="checkbox"/> INCH	<input checked="" type="checkbox"/> mm ONLY	2	2 OF 2
DRAWN BY & DATE N.ITO '02/02/28		TITLE: 2.0mm W-t-B DUAL CONN DIP PLUG HOUSING ASS'Y ST (WITHOUT BOSS)				
CHECKED BY & DATE K.ASAKAWA '03/06/26		MOLEX INCORPORATED				
APPROVED BY & DATE T.YAMAGUCHI '03/06/26		MATERIAL NO. SEE CHART	DRAWING NO. SD-55917-005	SHEET NO. 2 OF 2		
THIS DRAWING CONTAINS INFORMATION THAT IS PROPRIETARY TO MOLEX INCORPORATED AND SHOULD NOT BE USED WITHOUT WRITTEN PERMISSION.						
					SIZE B	