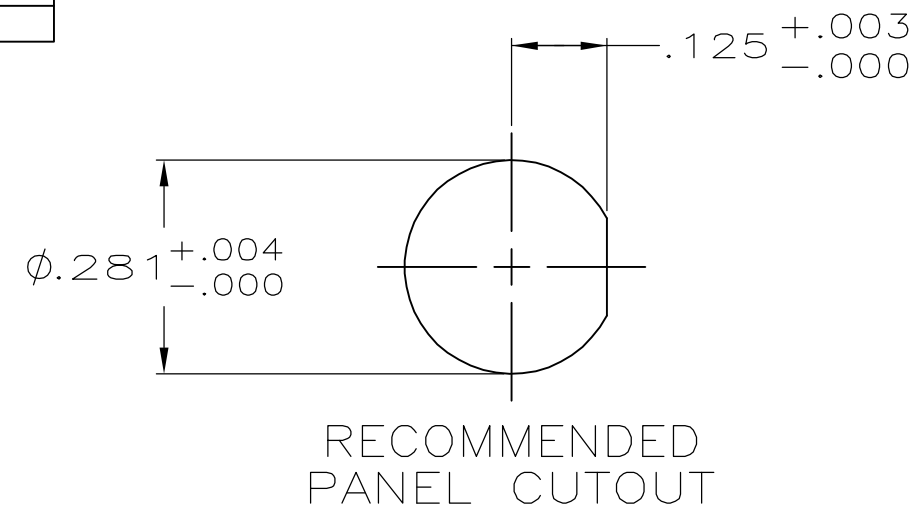
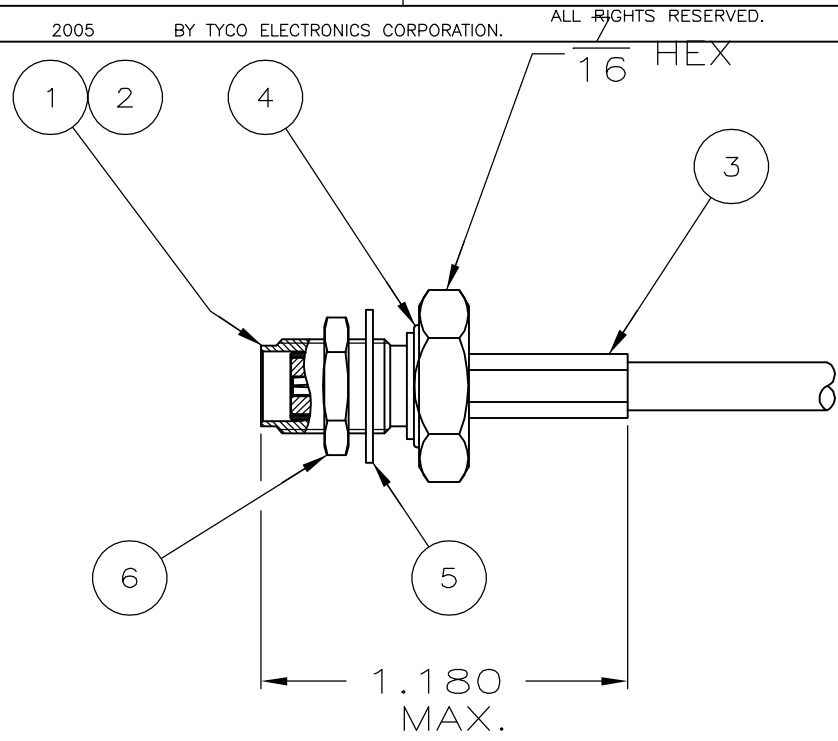
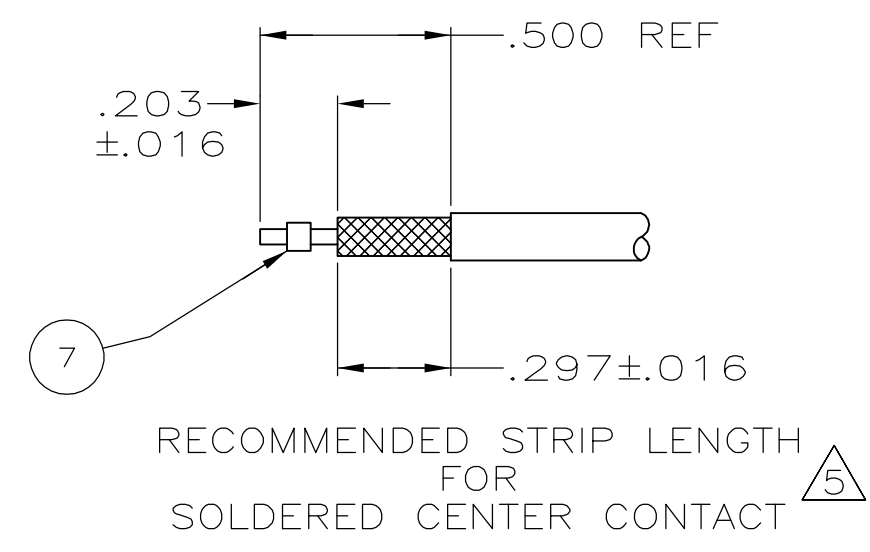
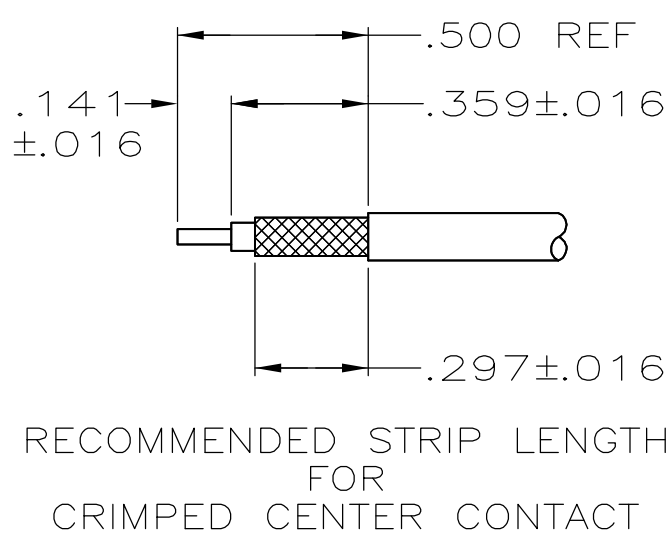


THIS DRAWING IS UNPUBLISHED. RELEASED FOR PUBLICATION
 © COPYRIGHT 2005 BY TYCO ELECTRONICS CORPORATION. ALL RIGHTS RESERVED.

LOC	DIST	REVISIONS					
AJ	16	P	LTR	DESCRIPTION	DATE	DWN	APVD
		L		REVISED PER EC 0514-0457-04	04NOV05	TS	JL



- ⚠ CENTER CONTACT: CRIMPING TOOL M22520/2-01 POSITIONER, DMC K997 SELECTOR SETTING PER TABLE.
- ⚠ FERRULE: CRIMPING TOOL M22520/5-01 DIE NUMBER OR HEX SIZE PER TABLE.
- 3. PRODUCT IS DESIGNED TO MEET PRODUCT SPECIFICATION 108-1574.
- ⚠ BRIGHT NICKEL PLATE.
- ⚠ APPLIES TO 447650-5 ONLY. ITEM 7 NOT USED WITH CRIMPED CENTER CONTACT.
- 6. INSTRUCTION SHEET: 408-4032



OBS	RG-188 DB, RG-316 DB, RG-174 DB	DIE M22520/5-35 B OR .128X.400 HEX	#4	⚠	PASSIVATED	STAINLESS STEEL	-	2-332004-0	1-22145-3	1-22130-6	2-446556-4	447842-3	447870-1	447650-8
OBS	RG-142, 142 A, 142 B, CRIMPED/SOLDERED CONTACT	DIE M22520/5-11 A OR .213X.400 HEX	#7	⚠	PASSIVATED	STAINLESS STEEL	-	2-332004-0	1-22145-3	1-22130-6	9-446556-0	447961-3	447870-2	447650-7
OBS	RG-316, CRIMPED/SOLDERED CONTACT	DIE M22520/5-35 B OR .128X.400 HEX	#4	⚠	PASSIVATED	STAINLESS STEEL	-	2-332004-0	1-22145-3	1-22130-6	9-446556-1	447842-3	447870-1	447650-6
OBS	BELDEN YR20621 (RG-58 TYPE) CRIMPED/SOLDERED CONTACT	DIE M22520/5-11 A OR .213X.400 HEX	#5	⚠	PASSIVATED	STAINLESS STEEL	447863-1	2-332004-0	1-22145-3	1-22130-6	2-446556-7	447961-3	447870-2	447650-5
OBS	RG-188 DB, RG-316 DB, RG-174 DB	DIE M22520/5-35 B OR .128X.400 HEX	#4	⚠		BRASS	-	2-332004-0	1-22145-3	1-22130-6	2-446556-4	447842-3	447870-4	447650-4
	RG-174, 188 A, 316	DIE M22520/5-35 B OR .128X.400 HEX	#4	⚠		BRASS	-	2-332004-0	1-22145-3	1-22130-6	9-446556-1	447842-3	447870-4	447650-3
OBS	RG-142, 142 A, 142 B	DIE M22520/5-11 A OR .213X.400 HEX	#7	⚠		BRASS	-	2-332004-0	1-22145-3	1-22130-6	9-446556-0	447961-3	447870-3	447650-2
OBS	RG-58, 58 A/U, 58 B/U, 58 C/U	DIE M22520/5-11 A OR .213X.400 HEX	#5	⚠		BRASS	-	2-332004-0	1-22145-3	1-22130-6	3-446556-0	447961-3	447870-3	447650-1
	CABLE SIZE	⚠ DIE # OR HEX SIZE	⚠ SELECTOR SETTING		FINISH	MATERIAL	⑦ SPACER QTY=1	⑥ JAM NUT QTY=1	⑤ LOCK WASHER QTY=1	④ O-RING QTY=1	③ FERRULE QTY=1	② CONTACT QTY=1	① BULKHEAD JACK ASSY QTY=1	PART NUMBER
					SHELL									

THIS DRAWING IS A CONTROLLED DOCUMENT.

DWN	BRENT D. YOHN	09MAY94
CHK	LANG LE	-
APVD	R. L. FISHER, JR	-
PRODUCT SPEC		
APPLICATION SPEC		
WEIGHT	-	

tyco Electronics Tyco Electronics Corporation
Harrisburg, PA 17105-3608

CONNECTOR, JACK, BULKHEAD, SMA, HEX CRIMP, COMMERCIAL

SIZE	A2	CAGE CODE	00779	DRAWING NO	C=447650	RESTRICTED TO	-
SCALE	1:1	SHEET	1 of 1	REV	L		

CUSTOMER DRAWING