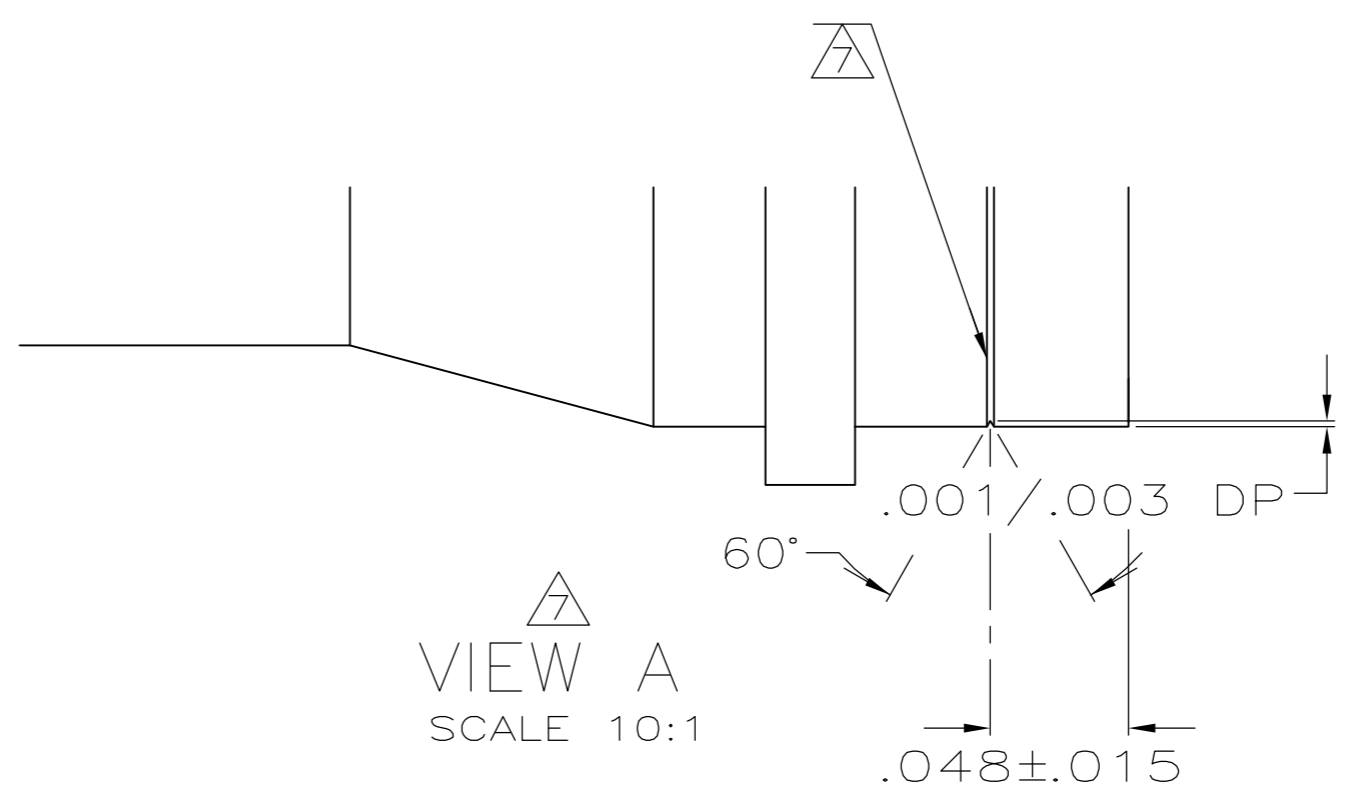
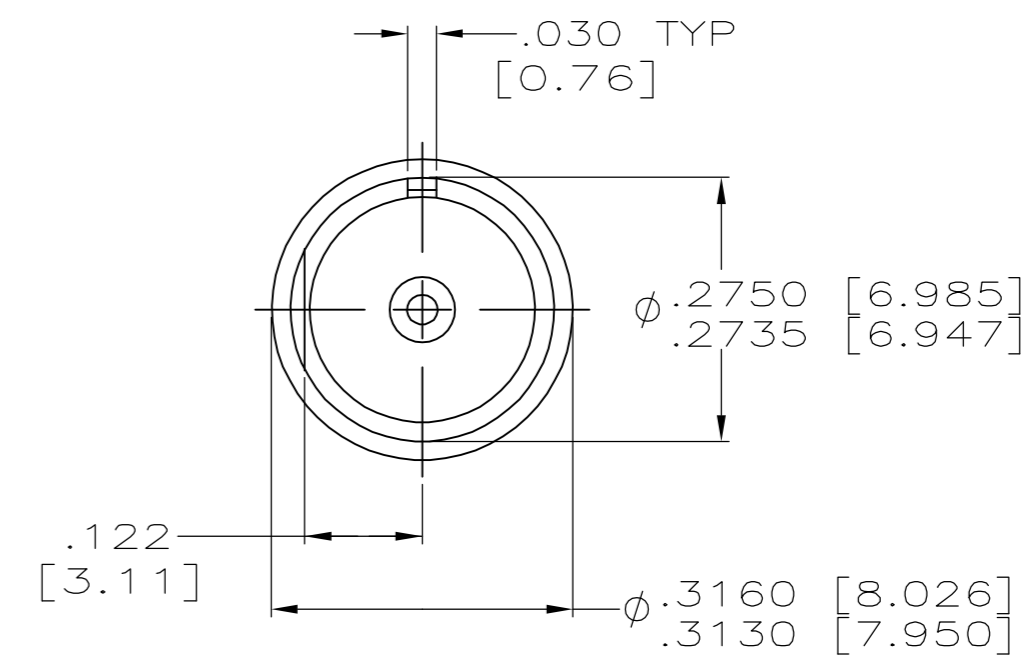
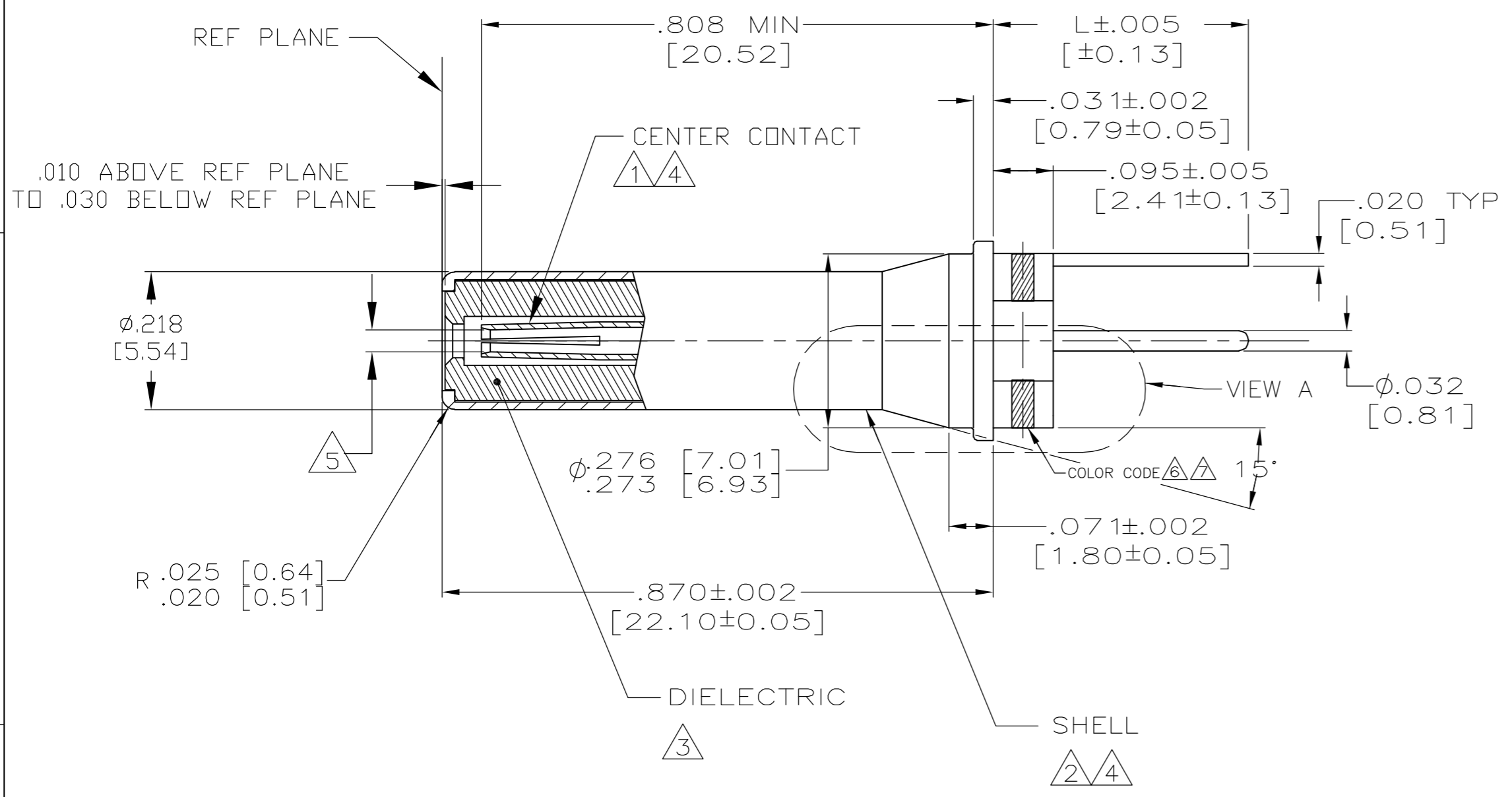


THIS DRAWING IS UNPUBLISHED. RELEASED FOR PUBLICATION  
 © COPYRIGHT BY TYCO ELECTRONICS CORPORATION. ALL RIGHTS RESERVED.

LOC		DIST		REVISIONS			
P	LTR	DESCRIPTION		DATE	DWN	APVD	
DF	A0	E		REV PER ECO 06-15224	8-2-06	CT	RG



- 1 BERYLLIUM COPPER PER ASTM-B-196
- 2 BRASS PER ASTM-B-16.
- 3 PTFE PER ASTM-D-1710.
- 4 GOLD PLATE PER MIL-G-45204, TYPE 1, GRADE C, CLASS 1 OVER NICKEL PLATE PER QQ-N-290, CLASS 2, .000050 [0.00127] THK.
- 5 SOCKET MATES WITH .040 ± .001 [0.76 ± 0.03] PIN MIN SEPARATION FORCE: 1.5 OUNCES
- 6 COLOR CODE PER MIL-C-39029, .020-.050 [0.51-1.27] WIDTH
- 7 IF PART DOES NOT HAVE COLOR CODE GROVE WILL BE PRESENT

.300 [7.62]	448540-4
.525 [13.33]	448540-3
.402 [10.21]	448540-2
DIM L	PART NUMBER

THIS DRAWING IS A CONTROLLED DOCUMENT.		DWN	C.C.THOMAS	10-13-92	<b>AMP</b> Tyco Electronics Corporation Harrisburg, PA 17105-3608		
DIMENSIONS: INCHES		CHK	C.SHELLY	10-15-92			
TOLERANCES UNLESS OTHERWISE SPECIFIED:		APVD	C.SHELLY	10-15-92			
0 PLC ± - 1 PLC ± - 2 PLC ± - 3 PLC ± .001 [0.03] 4 PLC ± - ANGLES ± 2°		NAME		PIN, COAX PCB, SIZE 8, ARINC-TRIAx			
MATERIAL	FINISH	WEIGHT	SIZE		CAGE CODE	DRAWING NO	RESTRICTED TO
1 2 3	4	-	A2	00779	C=448540	-	-
CUSTOMER DRAWING				SCALE	5:1	SHEET	1 of 1
				REV	E		

448540

A