

REV.	ECN NO.	REVISIONS	DRN.	CKD.	APP.	DATE
A		NEW RELEASE	AV			

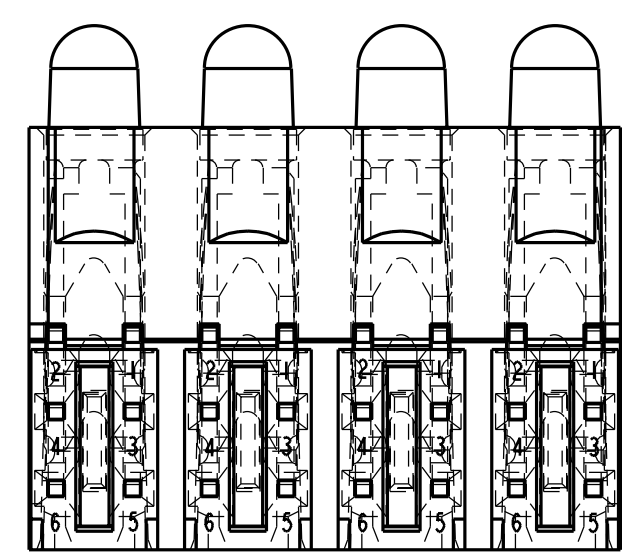
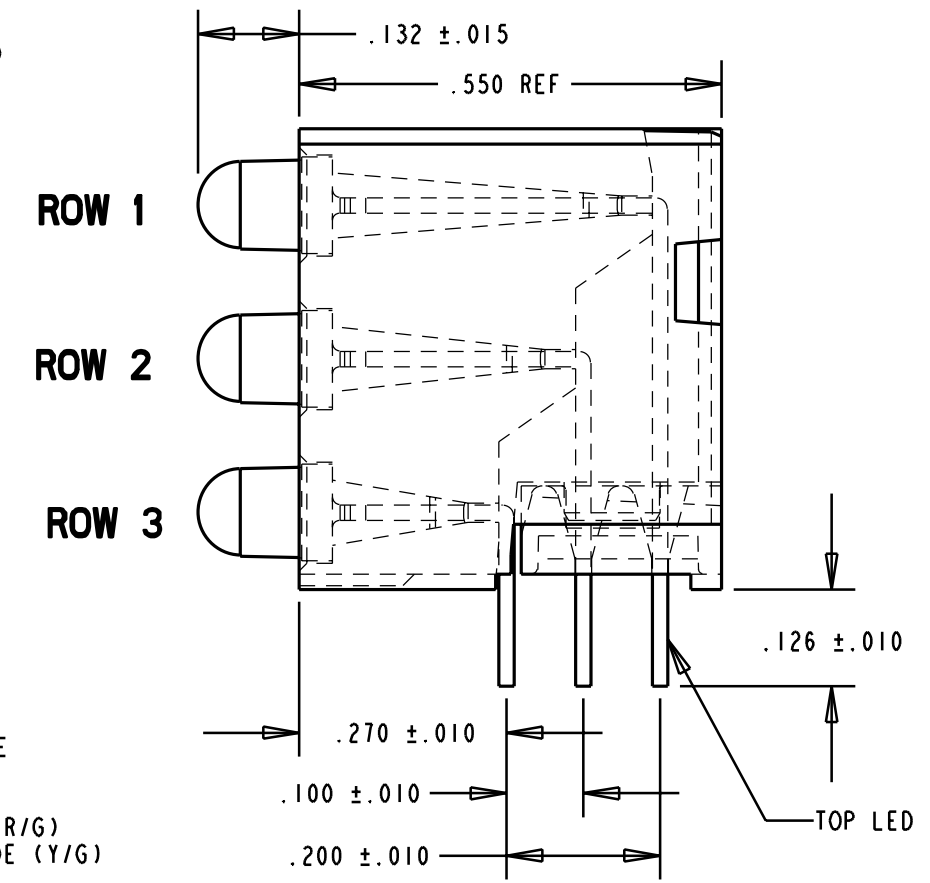
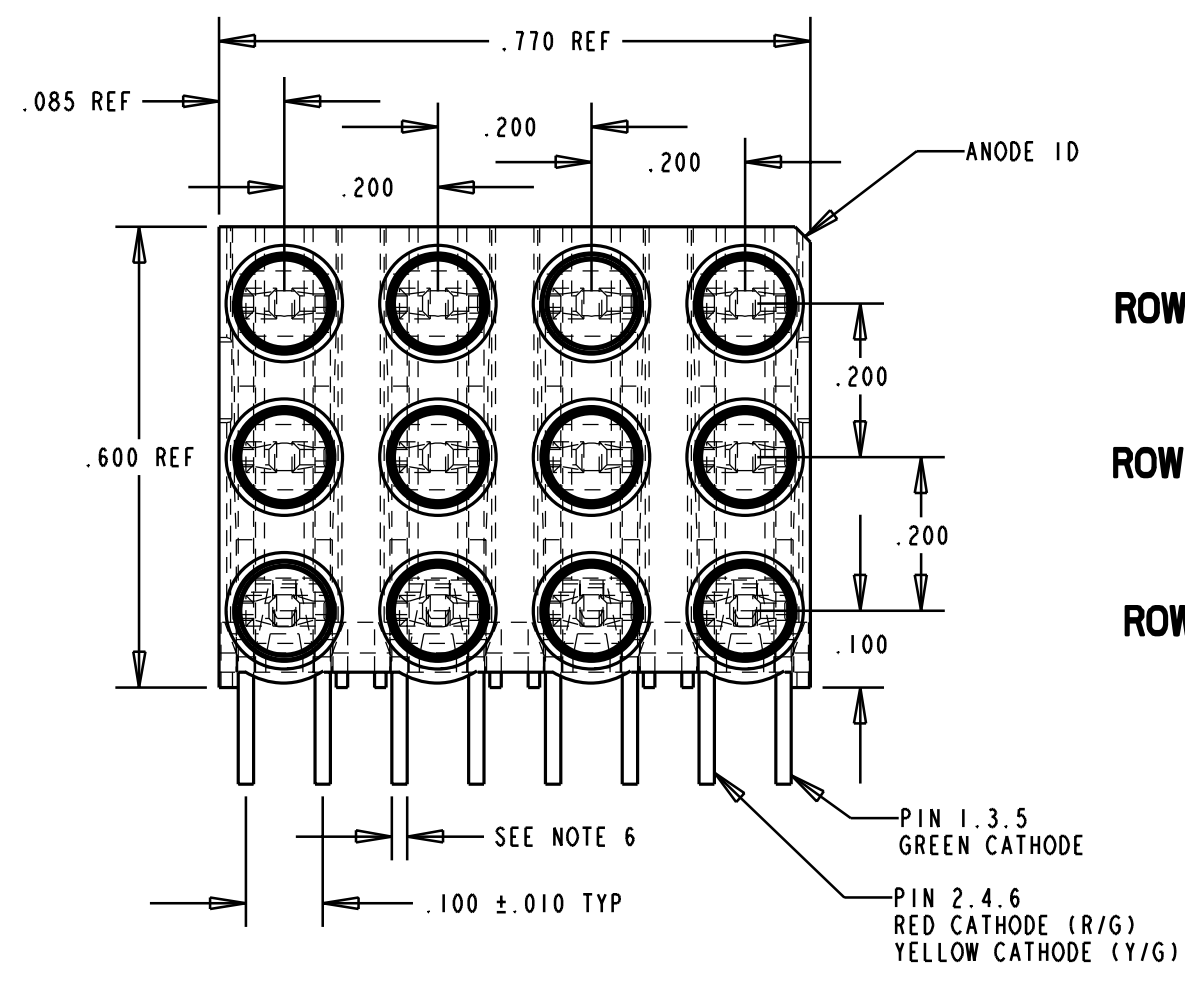
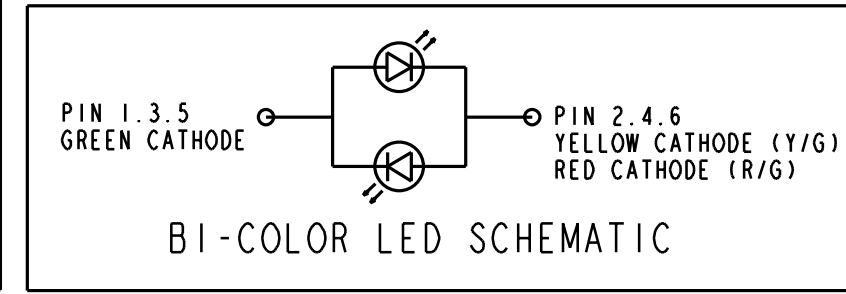
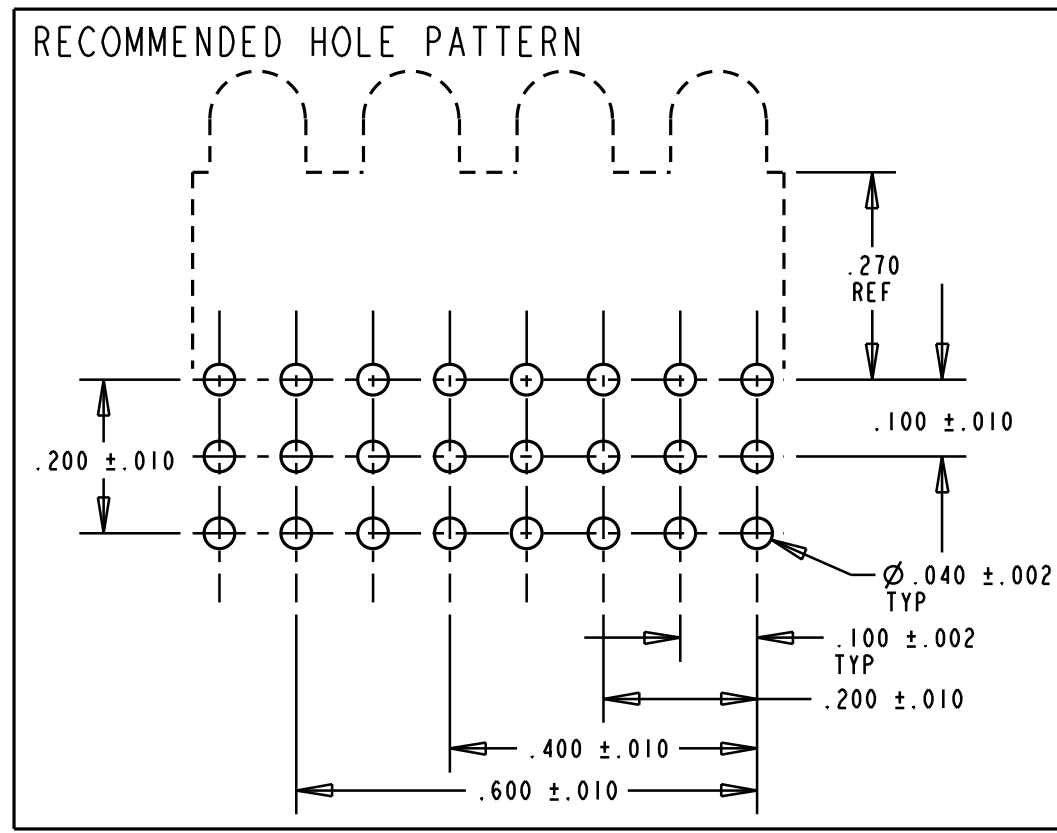
PART NUMBER	ROW 1	ROW 2	ROW 3
564-0740-1114	RED / GREEN	RED / GREEN	RED / GREEN
564-0740-4444	YELLOW / GREEN	YELLOW / GREEN	YELLOW / GREEN

LED COLOR = YELLOW / GREEN						
OPERATING CHARACTERISTICS AT 25°C AMBIENT						
CHARACTERISTICS		MIN	TYP	MAX	UNITS	TEST CONDITIONS
LUMINOUS INTENSITY	YELLOW	2.5	4.3		mcd	I F = 10 mA
	GREEN	2.5	6.3			
FORWARD VOLTAGE	YELLOW		2.1	2.8	V	I F = 20 mA
	GREEN		2.1	2.8		
PEAK WAVELENGTH	YELLOW		585		nm	
	GREEN		565			
DOMINANT WAVELENGTH	YELLOW		583	589	nm	
	GREEN		569			
VIEWING ANGLE			80		Degree	
CAPACITANCE	YELLOW		15		pF	V F = 0, f = 1 MHz
	GREEN		35			

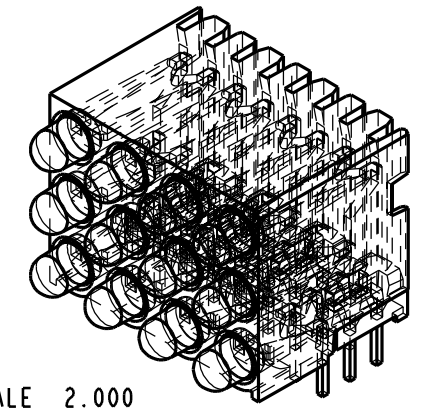
LED COLOR = RED / GREEN						
OPERATING CHARACTERISTICS AT 25°C AMBIENT						
CHARACTERISTICS		MIN	TYP	MAX	UNITS	TEST CONDITIONS
LUMINOUS INTENSITY	RED	2.5	4.7		mcd	I F = 10 mA
	GREEN	3.7	10.0			
FORWARD VOLTAGE	RED		2.0	2.8	V	I F = 20 mA
	GREEN		2.1	2.8		
REVERSE CURRENT	RED			100	µA	V R = 5 V
	GREEN			100		
PEAK WAVELENGTH	RED		635		nm	
	GREEN		565			
VIEWING ANGLE			60		Degree	
CAPACITANCE	RED		20		pF	V F = 0, f = 1 MHz
	GREEN		35			

LED COLOR = RED / GREEN		
ABSOLUTE MAXIMUM RATING AT 25°C AMBIENT		
		UNITS
POWER DISSIPATION	100	mW
DERATE LINEARLY FROM 50°C	.40	mA/°C
CONTINUOUS FORWARD CURRENT	30	mA
PEAK FORWARD CURRENT (1/10 DUTY CYCLE, 0.1 ms PULSE WIDTH)	120	mA
LEAD SOLDERING TEMPERATURE, 5 SEC., 1/16" FROM BODY	260	°C
OPERATING TEMPERATURE	-55 TO 100	°C
STORAGE TEMPERATURE	-55 TO 100	°C

LED COLOR = YELLOW / GREEN			
ABSOLUTE MAXIMUM RATING AT 25°C AMBIENT			
	YELLOW	GREEN	UNITS
POWER DISSIPATION	60	100	mW
DERATE LINEARLY FROM 50°C	0.25	0.4	mA/°C
CONTINUOUS FORWARD CURRENT	20	30	mA
PEAK FORWARD CURRENT (1/10 DUTY CYCLE, 0.1 ms PULSE WIDTH)	80	120	mA
LEAD SOLDERING TEMPERATURE, 5 SEC., 1/16" FROM BODY	260		°C
OPERATING TEMPERATURE	-55 TO 100		°C
STORAGE TEMPERATURE	-55 TO 100		°C



- NOTES:
- LEADS TO FIT INTO HOLES SPACED AS PER HOLE PATTERN
 - LEADS TO BE FREE OF DEFORMATION AFTER BENDING AND CUTTING
 - LED LEAD DIMENSIONS SHOWN ARE MEASURED AT HOUSING EXIT
 - PACKAGING = BLOCKS PLACED IN CLEAR ANTISTATIC TRAY (50 BLOCKS/TRAY = 8 TRAYS/BOX = 400 BLOCKS/BOX)
 - WHEN A ZERO APPEARS IN THE 3 DIGITS, PRIOR TO THE LAST, OF THE PART NUMBER THIS MEANS NO LAMP REQUIRED IN THAT ROW
 - LED LEAD THICKNESS = .018 x .016 (Y/G) .020 SQ (R/G)
 - DIALIGHT PART NUMBER = 564-0740-xxx4



SCALE 2.000

THIS DRAWING AND THE CONTENTS HEREIN ARE CONFIDENTIAL AND THE SOLE PROPERTY OF DIALIGHT. REPRODUCTION OF THIS DRAWING OR CONSTRUCTION OF ANY PARTS WITHIN THIS DRAWING ARE FORBIDDEN WITHOUT THE WRITTEN CONSENT OF DIALIGHT.		
SCALE 4:1	DRAWING NUMBER	REV
ALL DIM'S IN: INCHES	C-16779	A
TOLERANCES: UNLESS OTHERWISE SPECIFIED	TITLE CBI BLOCK ARRAY (3X4)	
FRACTIONS: ±1/64	MATERIAL	
DECIMALS (.XX): ±.020	Dialight	
DECIMALS (.XXX): ±.015	1913 ATLANTIC AVE.	
DECIMALS (.XXXX): ±.010	MANASQUAN, N.J. 08736	
ANGLES: ±3°	FSCM 83330	
FINISH:	SHEET	OF
	FAMILY TABLES:	