

SUMMARY



Image is for illustrative purpose only

Wires

| | |
|---------|----|
| Low | 68 |
| High | 0 |
| Coax | 0 |
| Triax | 0 |
| Quad | 0 |
| Fiber | 0 |
| Fluidic | 0 |

Download

[Request a quote](#)

[Catalog](#)

| | |
|------------------|-----------------|
| Series | LM |
| Termination type | Female crimp |
| IP rating | 68 |
| Cable Ø | 0.00 - 0.00 mm |
| Matching parts | FMW.LM.368.XLCM |
| Status | |
| Alternative part | |

TECHNICAL DETAILS

Mechanics

| | |
|-------------------|---|
| Shell Style/Model | PE*: Fixed receptacle, nut fixing with MIL-DTL38999L shell thread |
| Keying | |
| Housing Material | Environment friendly aluminium (nickel plated, anthracite color) shell and nut, other pieces bronze/brass |
| Cable Fixing | ∅ 0 - 0 mm |
| Variant | |

Performance

| | |
|---------------|----------|
| Configuration | |
| Insulator | |
| Rated Current | 2.5 Amps |

Specifications

| |
|--------------------------------|
| Contact Type: Crimp |
| Max. Matings: 5000 |
| Contact Retention: 22 N |
| Contact Dia.: 0.7 mm (0.028in) |
| Bucket Dia.: 0.8 mm (0.031in) |

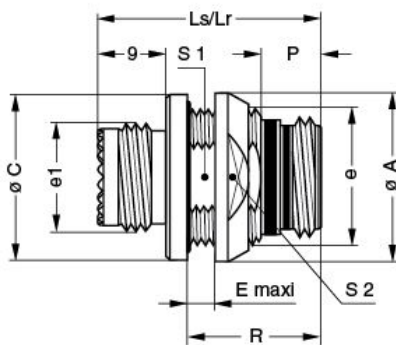
Min. Conductor: 0.14 mm² (AWG 26)
 Max. Conductor: 0.34 mm² (AWG 22)
 R (max): 6.1 mOhm
 Test voltage (kV rms) Contact-contact: 1.40
 Test voltage (kV rms) Contact-shell: 1.65

Others

Humidity (max): <=95% [at 60 deg C / 140 F]
 Vibration: 15 g [10 Hz - 2000 Hz]
 Shock Resistance: 100 g [6 ms]
 Operating temperature: -55° C/ +200° C
 Climatical Category: 15/200/21 (Al. shell)
 Lighting strike EIA 364-75 10K amps - 6 times
 EMI Shielding EIA 364-66A - 1Ghz-80 dB,3GHz-70 dB,6GHz- 58dB
 IP Rating: 68

DRAWINGS

Draws



Dimensions

| | A | C | E | Lr | Ls | R | S1 | S2 | e | e1 |
|-----|------|------|------|------|------|------|------|------|---------|---------|
| mm. | 33 | 31.8 | 4 | 30.1 | 28.2 | 16.9 | 26.5 | 29 | M28x1.0 | M25x1.0 |
| in. | 1,30 | 1,25 | 0,16 | 1,19 | 1,11 | 0,67 | 1,04 | 1,14 | | |

RECOMMENDED BY LEMO

Tools

Crimp Tool: DPC.91.701.V
 Crimp settings: AWG/Selector = 22-24-26/6-5-5

Positionner: DCE.91.07T.5MVM
Extractor: DCF.93.070.4LT
Replacement contact: EGW.TM.655.ZZM
Spanner wrench: DCM.65.040.8PA

Cables