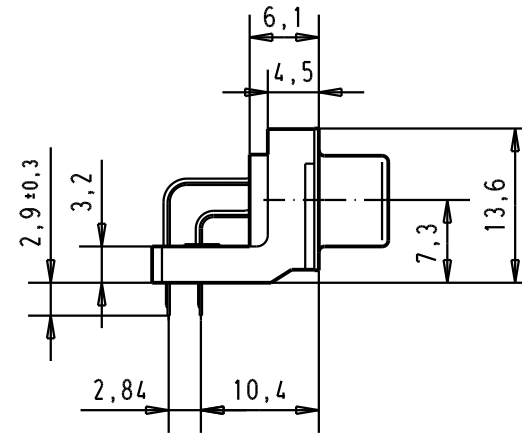
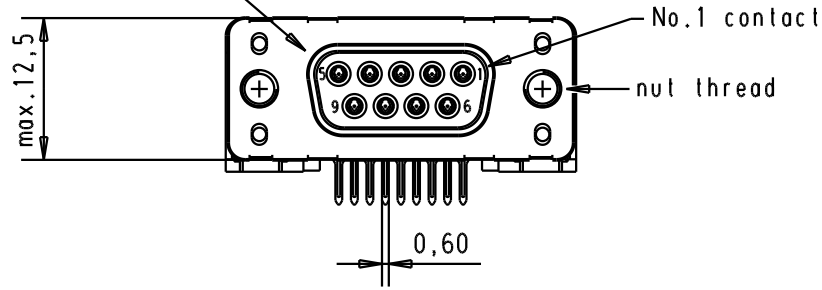
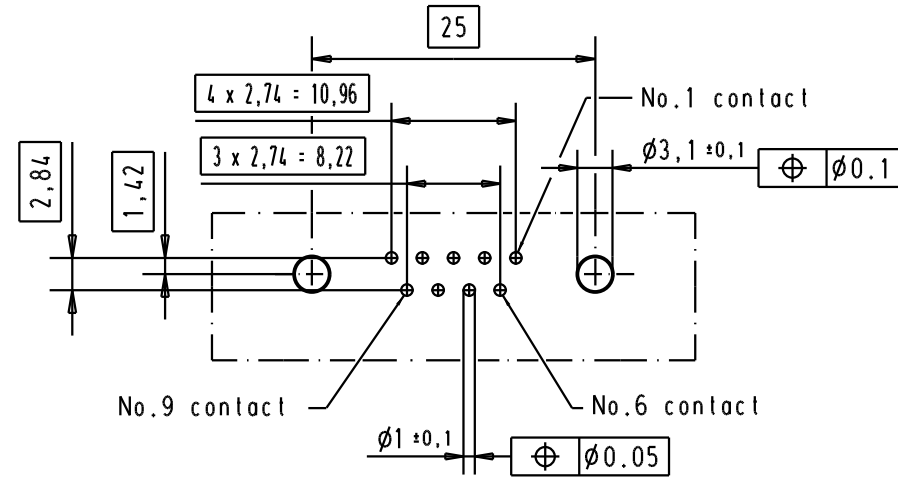
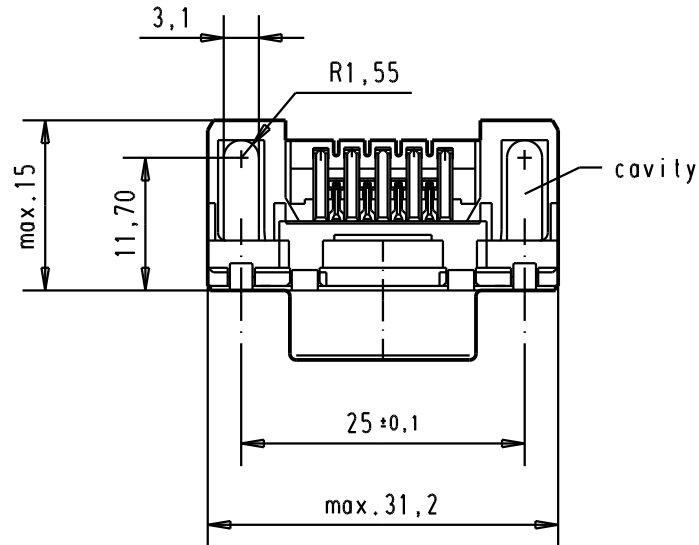




Mating face according to : MIL-C-24308 / DIN 41652 / CECC 75301-802



Printed board layout
component side



A	09 66 113 3601		M 3	1							 All Dim. in mm Orig. Size DIN A 4	D-Sub 09 poles standard angle female, solder pin with nut and hole	Maßstab/ Scale 1.5:1
	Part number	Nut thread	Performance level	Mod.	Dat.	Name	Dat.	Name					
	09 66 113 6601	M 3		2					Detail.	30/nov/00	ALSPACE		
	09 66 113 7601	M 3		3					Insp.				
	09 66 113 3602	4-40 UNC		1	31892	05/05/04	JH		Stand.				
	09 66 113 6602	4-40 UNC		2	29773	18-APR-02	CV	HARTING EURL F-95972 Paris				TB 0966113x60x	
	09 66 113 7602	4-40 UNC		3	27960	30/nov/00	ALSPACE						