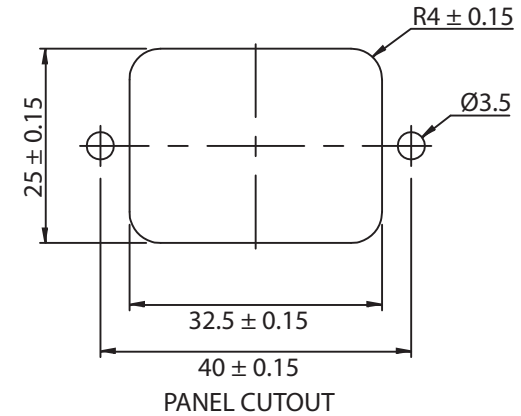
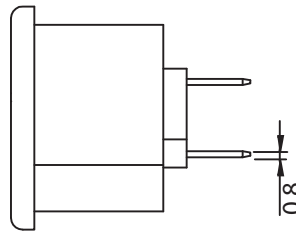
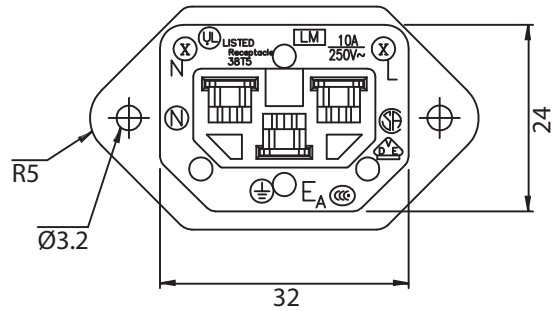
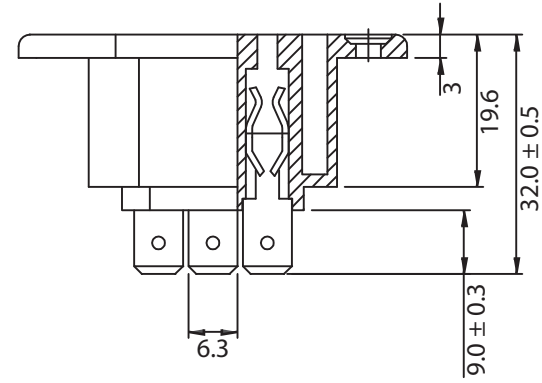
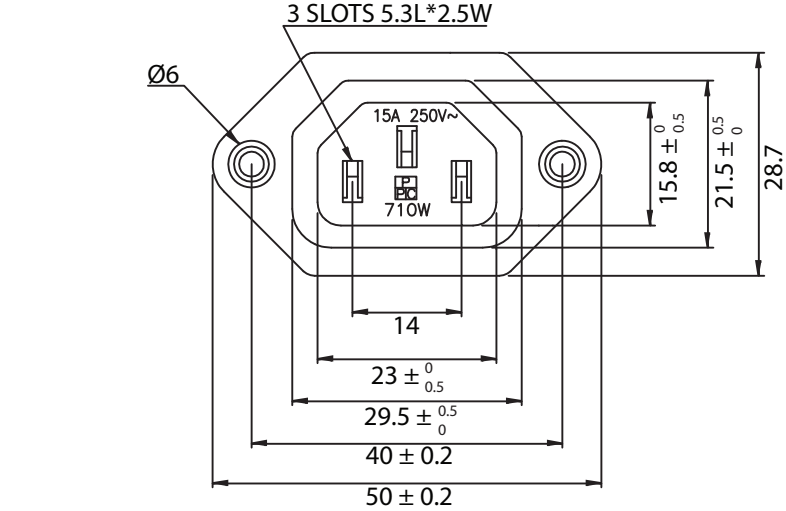


THESE DRAWINGS ARE THE PROPERTY OF QUALTEK ELECTRONICS AND NOT TO BE REPRODUCED FOR OR COMMUNICATED TO A THIRD PARTY WITHOUT THE EXPRESS WRITTEN PERMISSION OF AN OFFICER OF QUALTEK ELECTRONICS.

REVISION			
REV.	DESCRIPTION	DATE	APPROVED
B	RoHS Compliancy	06-01-06	DP
C	Updated Specifications	12-06-10	LY
D	Updated Notes	05-16-12	LY



CONTROLLED

NOTES:

RATING:

UL, CSA: 15A 250V AC
VDE, CCC: 10A 250V AC

APPROVALS: UL, CSA, VDE, CCC

COLOR: BLACK

RoHS COMPLIANT

Dim range (mm)	Tolerance +/- (mm)	Qualtek Electronics Corp. PPC DIVISION		
		Part Number: 710W-00/03	RoHS Compliant	
0-1	0.15	Description: AC RECEPTACLE		
1-6	0.20			
6-18	0.30			
18-50	0.50			
50-120	0.70			
120-250	0.90	UNIT: mm	REV. D	
250-500	1.20	Drawn / Date	Checked / Date	Approved / Date
		B.ZHANG 03-01-04	03-01-04	JJH / 03-01-04