

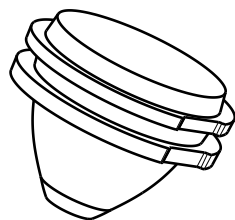
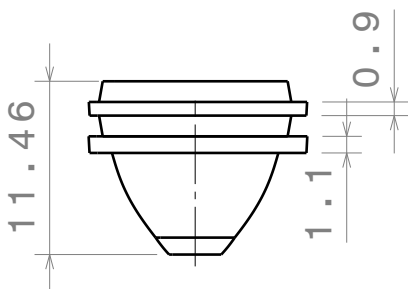
D

C

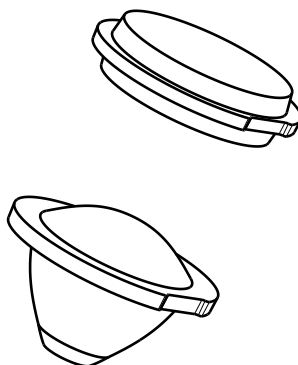
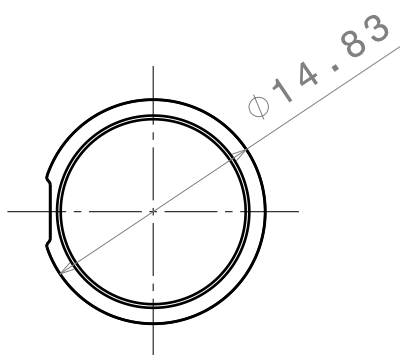
B

A

INDEX	PART NO	DESCRIPTION	MATERIAL
1			



Spot position
Lens distance = 0mm



Wide position
Lens distance = 11mm

Tolerances if not otherwise shown:
According to DIN ISO 2768-1
Linear measures:
Up to 30mm class M, otherwise class C.

According to DIN ISO 2768-2
Form and position:
class L

Raw material: PMMA

This drawing is our property.
It can't be reproduced
or communicated without
our written agreement.

LEDIL LediL Oy
Salorankatu 10
FIN 24240 SALO
Finland

DRAWING TITLE | Part Drawing

DRAWN BY | DATE
pl | 9/20/2012

DATA SHEET ZOWIE-MINI

CHECKED BY | DATE
- | -

SIZE	PART NUMBER	REV
A4	CC13052	001

DESIGNED BY | DATE
- | -

SCALE	WEIGHT	SHEET
2:1	0.00108kg	1/1

D

A