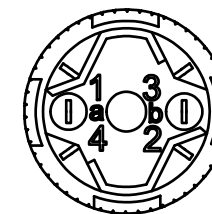
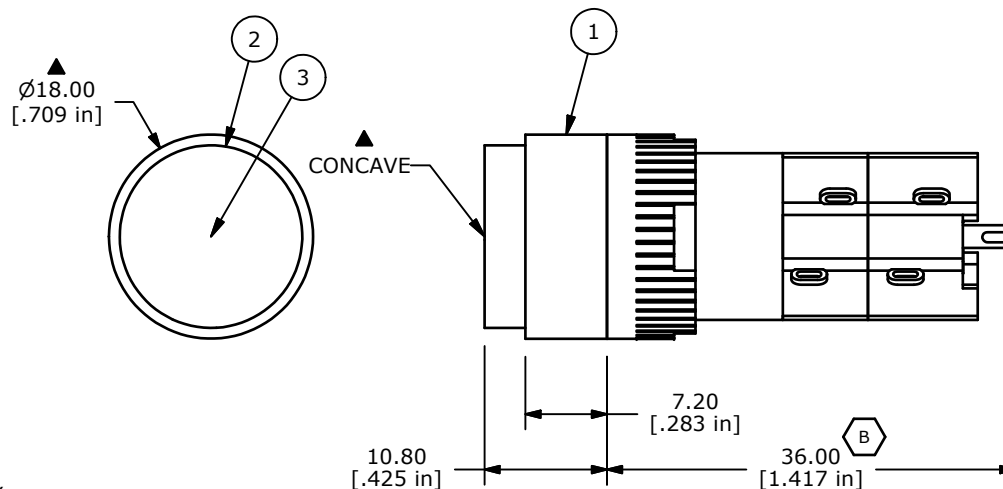
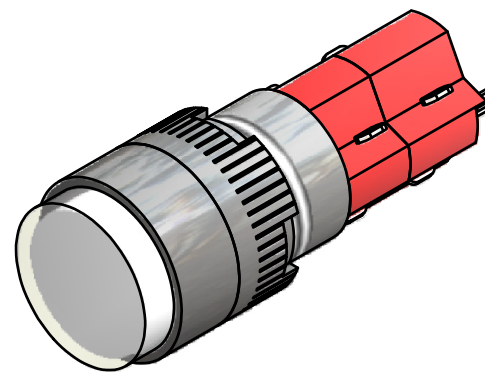
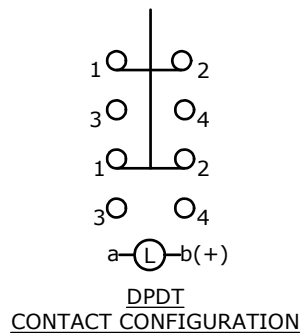


PANEL MOUNTING



- NOTE:
1. ALL DIMENSIONS IN MM [INCH].
 2. GENERAL TOLERANCE: X.X=±0.4
X.XX=±0.25
 3. TERMINAL NUMBERS FOR REF ONLY.
 - ▲4. CONTACT RATING: 5A @ 250VAC,
8A @ 125VAC,
6A @ 24VDC
 5. ELECTRICAL LIFE: 50,000 OPERATIONS
 6. INSULATION RESISTANCE: 1,000 MEGA-OHM MIN.
 7. CONTACT MATERIAL: SILVER PLATED COPPER ALLOY
 - ▲8. ACTUATION FORCE: 300g / POLE
 9. OPERATING TEMP.: -25°C to +55°C
 10. ▲ DENOTES CRITICAL PARAMETER.
 11. 2002/95/EC (ROHS) COMPLIANT

| PARTS LIST | | | |
|------------|-----|-------------|--------------------------------------|
| ITEM | QTY | PART NUMBER | DESCRIPTION |
| 1 | 1 | F040016 | D1EER12 |
| 2 | 1 | F050105 | 50-001-05 WHITE LENS |
| 3 | 1 | F050405 | 50-004-05INCANDESCENT 28V AC/DC 40mA |



| | | | | |
|-----|--------|---------------------------|---------|-----|
| B | 19788 | DRAWING CLEAN UP / UPDATE | 3/23/11 | BGL |
| REV | PCR NO | DESCRIPTION | DATE | BY |

| | | | | |
|--------------------|-----------|-----|---------|-----|
| TITLE D16EER12CWHT | | | | |
| SCALE | DATE | DR | DWG | REV |
| 1.5:1 | 3/23/2011 | BGL | XF0357P | B |

THE INFORMATION CONTAINED IN THIS DOCUMENT IS PROPRIETARY TO E-SWITCH AND IS NOT TO BE COPIED OR TRANSFERRED