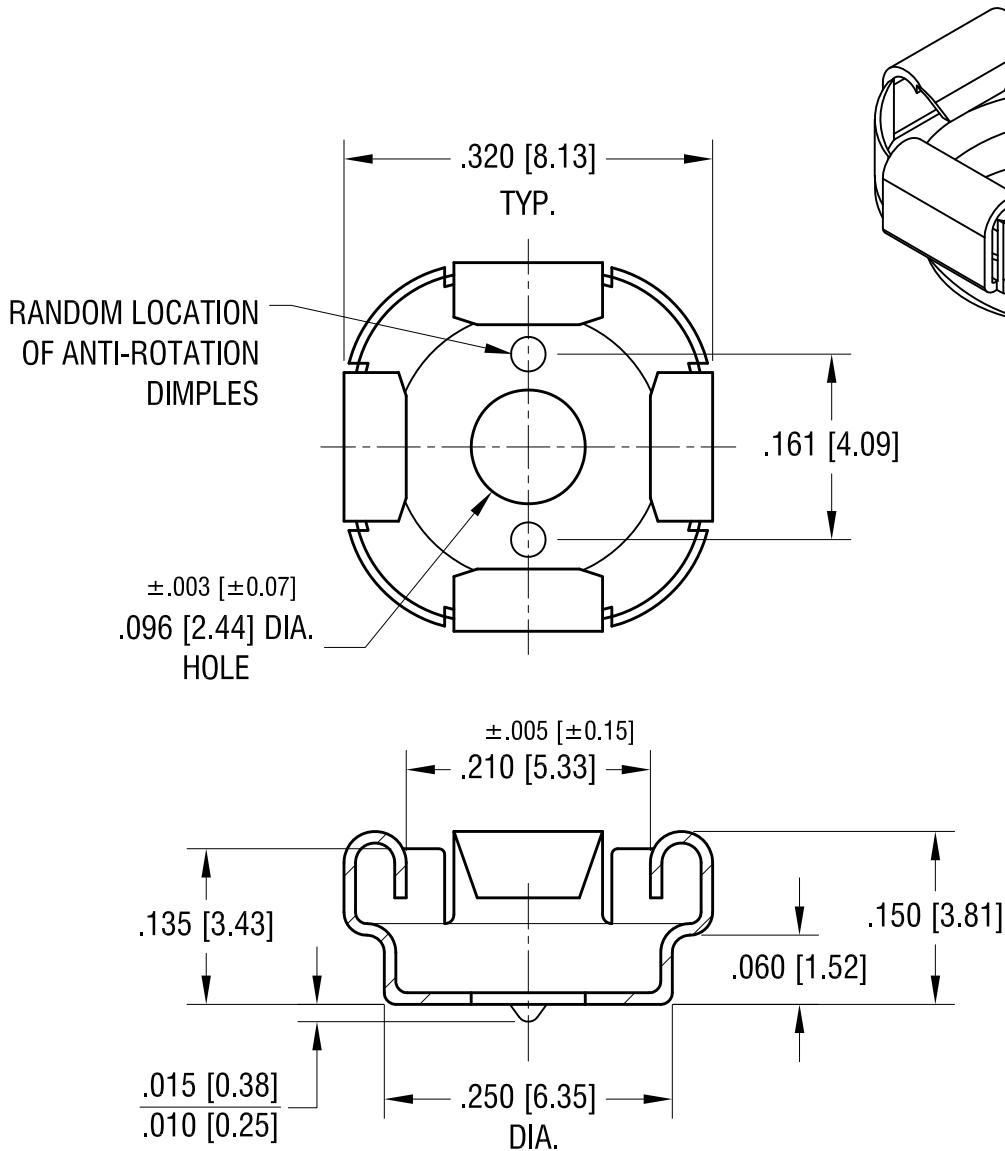


THIS DOCUMENT IS THE PROPERTY OF  
KEYSTONE ELECTRONICS CORP. AND  
SHALL NOT BE REPRODUCED, DISTRIBUTED  
OR USED AS A BASIS FOR MANUFACTURE  
WITHOUT PRIOR WRITTEN PERMISSION  
FROM KEYSTONE ELECTRONICS CORP.



**NOTE:**

1. HEAT TREAT TO SPRING TEMPER
2. FINISH: ELECTROLESS NICKEL PLATE

DATE	DESCRIPTION	REV.
7.21.03	CHANGE AS PER ECN 03-048	E
11.11.02	CHANGE AS PER ECN 02-074	D
3.8.02	CHANGE AS PER ECN 02-022	C
9.25.01	CHANGE AS PER ECN 01-080	B
12.21.98	CHANGE AS PER ECR 98-094	A

<b>KEYSTONE ELECTRONICS CORP.</b>			
ASTORIA, N.Y. 11105-2017			
PART NAME		9 VOLT BATTERY SOCKET	
MATERIAL		.008 [0.20] TH'K STEEL	
FINISH		DRN BY	DATE
AS NOTED		BOONE	2.9.82
		APP'D	SCALE
		LN	6X
TOLERANCES	INCH [MM]	CODE	DWG NO.
DECIMAL	± .010 [± 0.25]	C	<b>269</b>
ANGULAR	± 1°		
UNLESS OTHERWISE SPECIFIED			