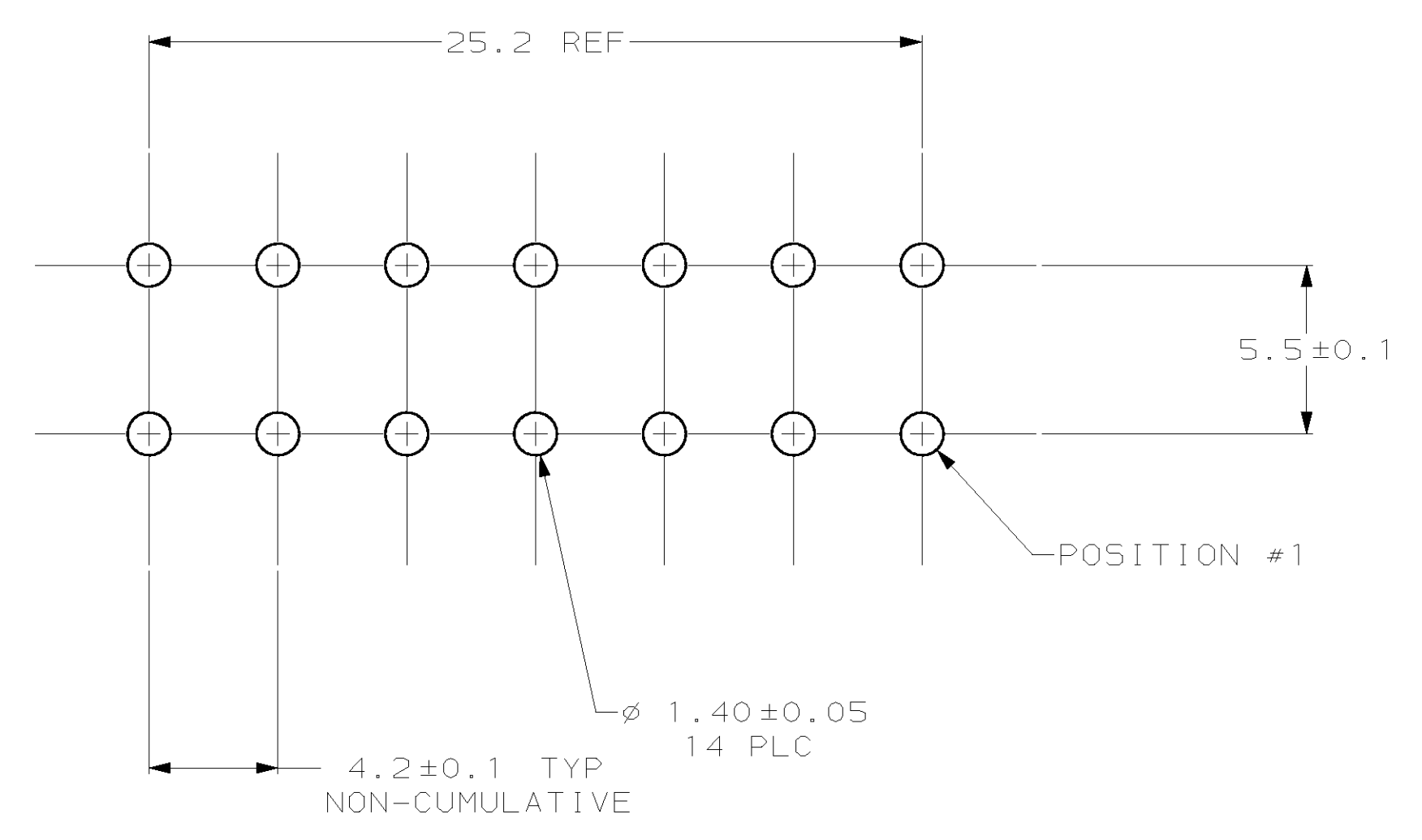
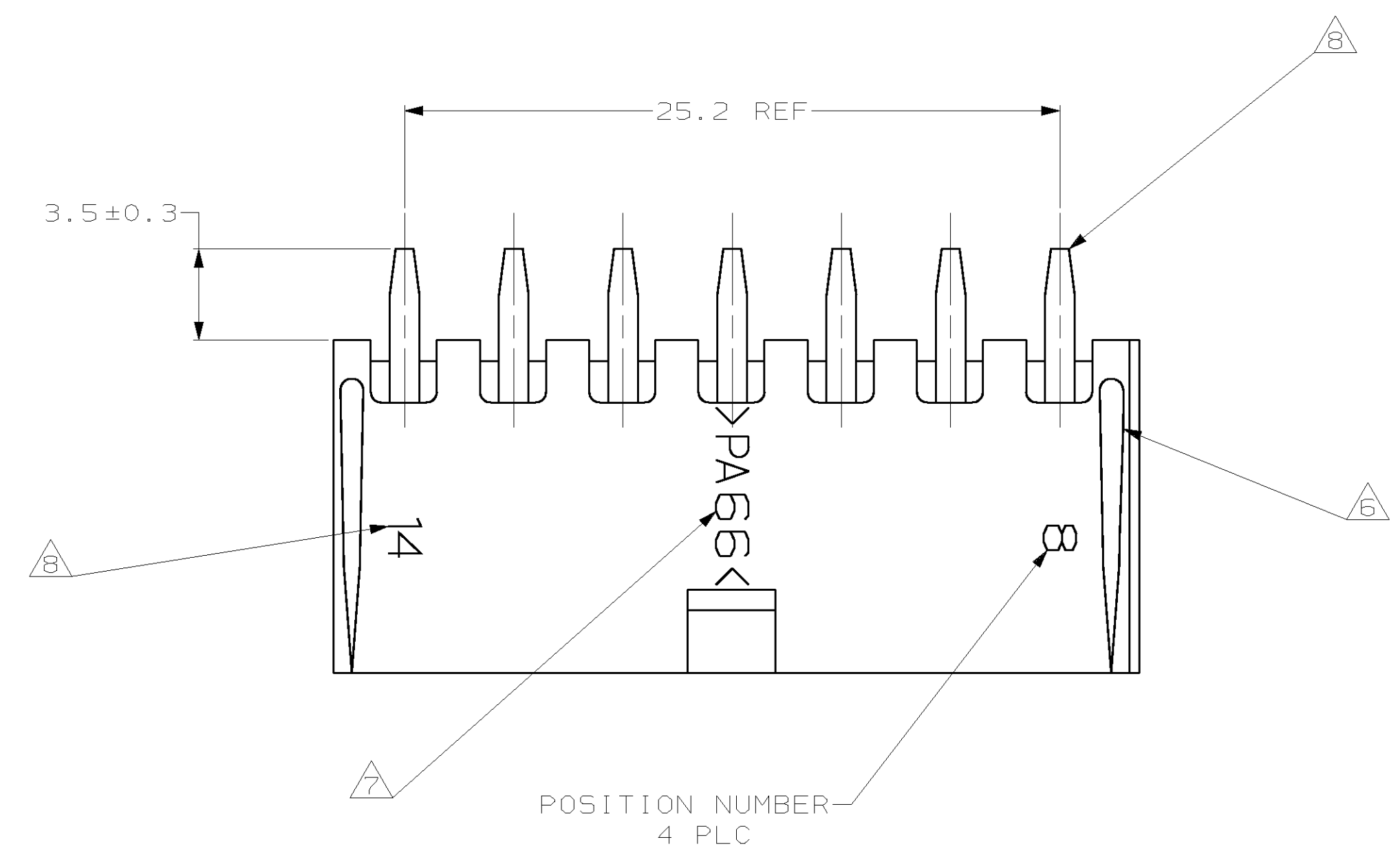
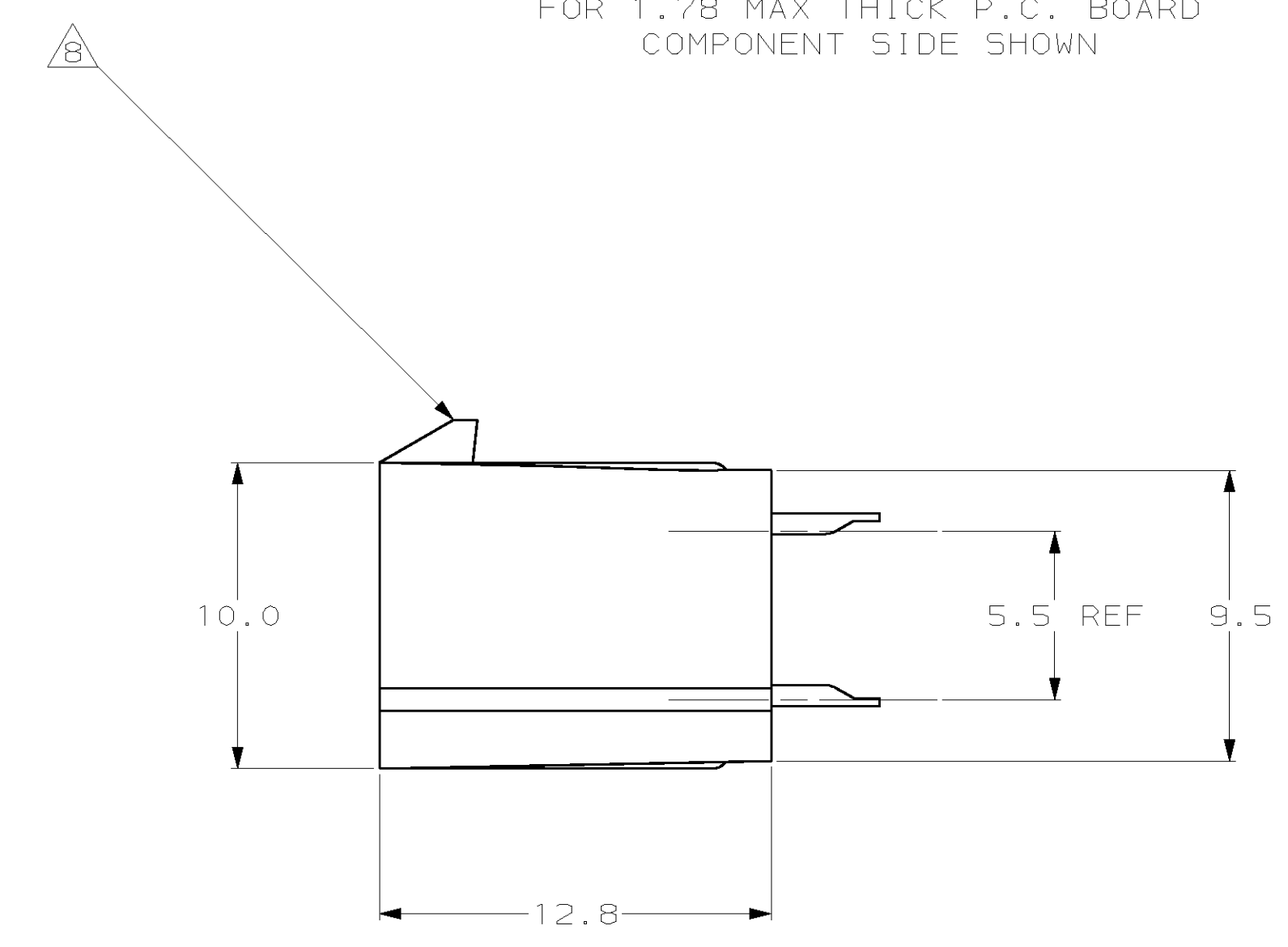
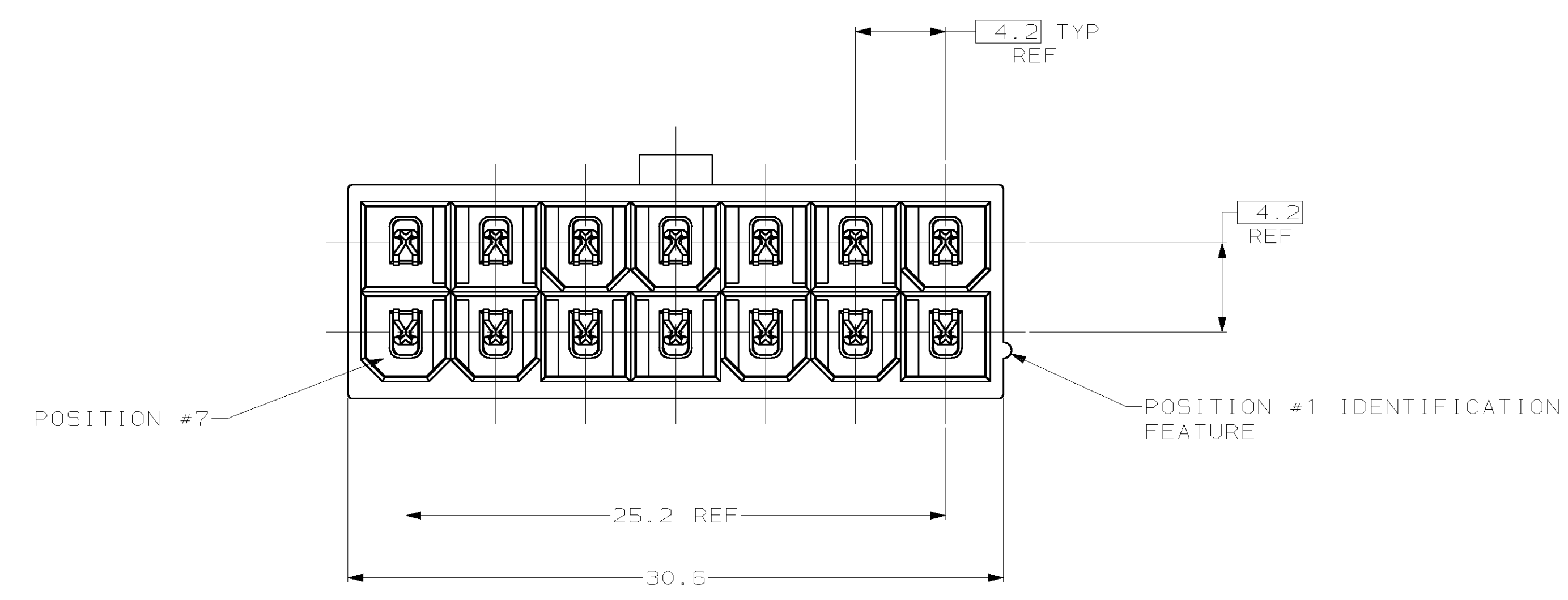


REV. NO.		REVISIONS			
NO.	DATE	DESCRIPTION	DATE	OWN	APPROV
CM	53	B	REV PER EC 061B-0049-99	19-APR-99	JH RS

- 1 MATERIAL: HOUSING - NYLON, UL94V-2 (COLOR - NATURAL, COLOR OF PARTS MAY VARY). CONTACTS - 0.25 THK COPPER ALLOY.
- 2 CONTACT FINISH: 0.003 MIN THK TIN-LEAD OVER 0.00127 MIN THK NICKEL OVER ENTIRE CONTACT.
- 3 CONTACT FINISH: 0.00076 MIN THK GOLD PLATE ON PIN MATING SURFACE, 0.003 MIN THK TIN-LEAD PLATE ON SOLDER TAIL, ALL OVER 0.00127 MIN THK NICKEL BASE PLATE.
- 4. SOLDER TAIL MEETS AMP SOLDERABILITY SPECIFICATION 109-11-2.
- 5. MATES WITH SIMILARLY PLATED AMP-DUAC™ POWER CONNECTOR RECEPTACLE HOUSINGS/SOCKET CONTACTS.
- 6 RIBS ON FOUR CORNERS OPTIONAL.
- 7 AMP LOGO AND MATERIAL ID MAY BE LOCATED ON EITHER LONG SIDE OF PART.
- 8 SIZE, SHAPE OR STYLE OF THIS FEATURE MAY VARY.



RECOMMENDED MOUNTING HOLE PATTERN FOR 1.78 MAX THICK P.C. BOARD COMPONENT SIDE SHOWN



1	3	1	1	794355-2
1	2	1	1	794355-1
CONTACT		HOUSING		
MATERIAL	FINISH	MATERIAL	COLOR	PART NO
THIS DRAWING IS A CONTROLLED DOCUMENT.				
DIMENSIONS:		TOLERANCES UNLESS OTHERWISE SPECIFIED:		
mm		°		
0 PLC	±	6-03-98		
1 PLC	±0.2	6-03-98		
2 PLC	±0.13	6-03-98		
3 PLC	±	6-03-98		
4 PLC	±	6-03-98		
ANGLES	±	40°/30°		
MATERIAL	SEE TABLE	FINISH	SEE TABLE	WEIGHT
CUSTOMER DRAWING		SCALE	SHEET	REV
A1		5:1	1 OF 1	B

