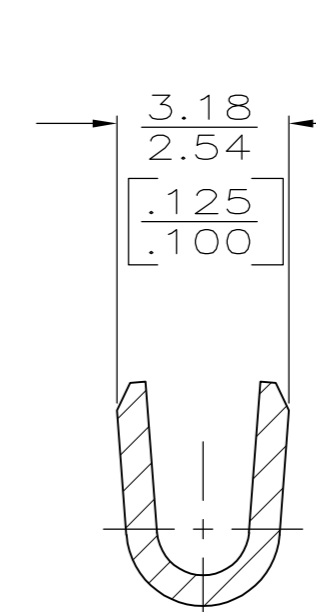
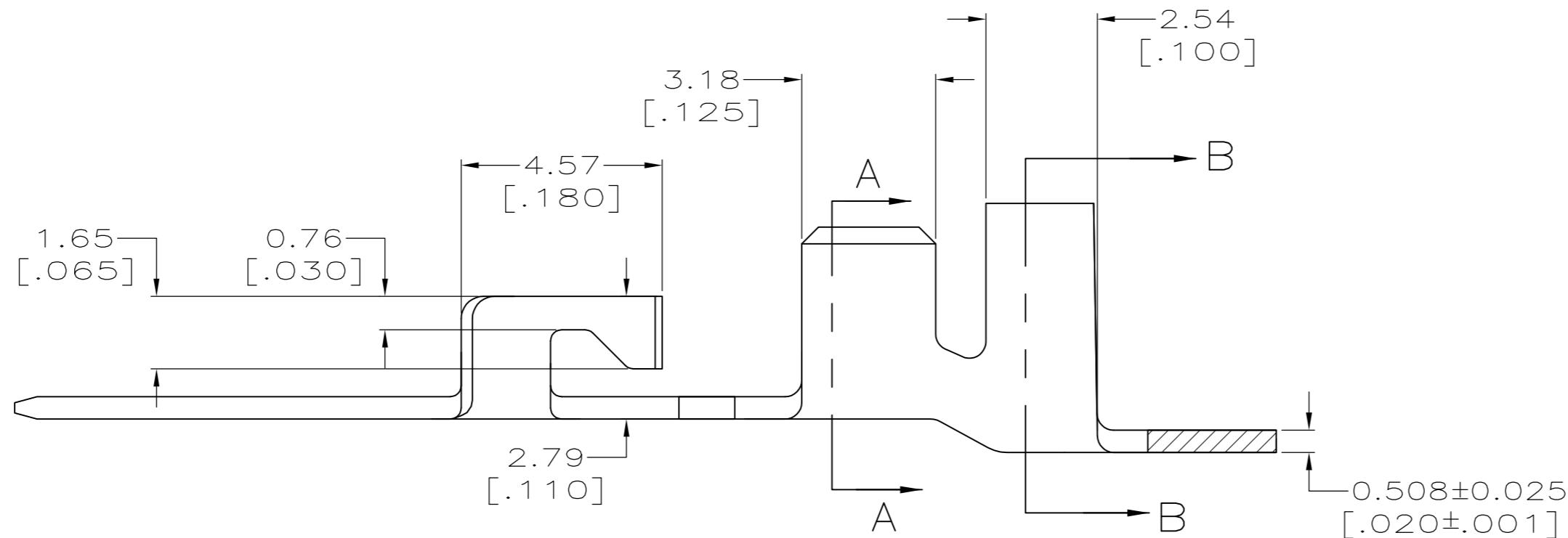
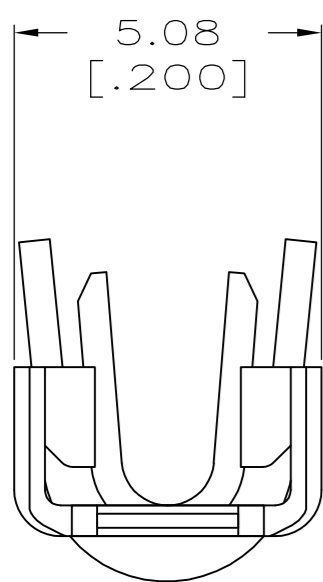
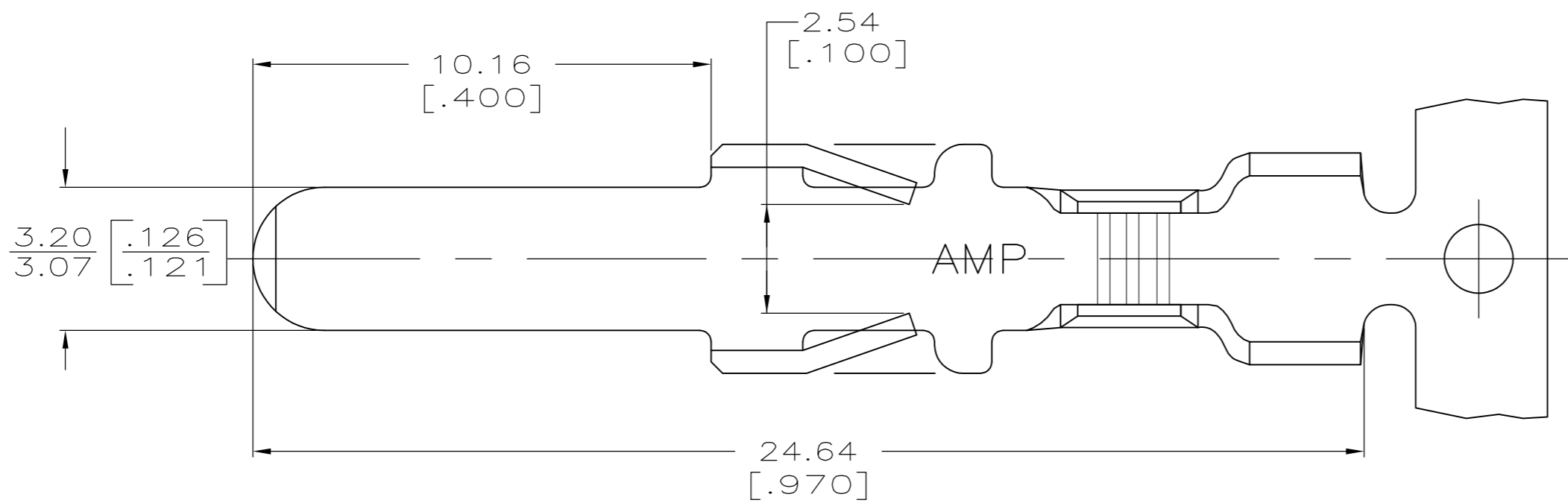


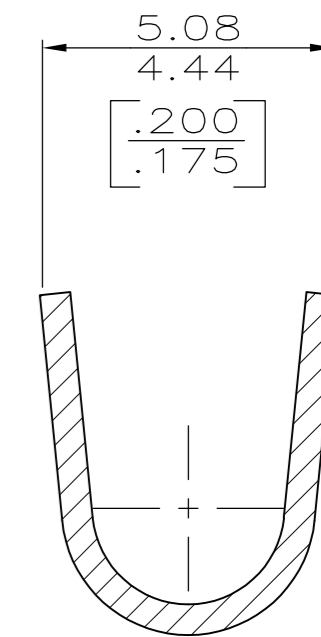
THIS DRAWING IS UNPUBLISHED. RELEASED FOR PUBLICATION
 © COPYRIGHT - By - ALL RIGHTS RESERVED.

LOC	DIST	REVISIONS					
AF	50	P	LTR	DESCRIPTION	DATE	DWN	APVD
		D1		REVISED PER ECR-12-019658	23NOV12	KH	GJ

- 1 CONTINUOUS STRIP ON REEL.
- 2 INSULATION DIAMETER 3.12[.123] MAXIMUM
- 3 WIRE SIZE 0.5 - 1.3 mm² [#20 - #16 AWG]



SECTION A-A



SECTION B-B

1217076-1
PART NO.

THIS DRAWING IS A CONTROLLED DOCUMENT.		DWN PHILLIP M. FORTNEY 13/MAR/98	TE TE Connectivity	
DIMENSIONS: mm [INCHES]		CHK JEFF R. RUTH 13/MAR/98		
TOLERANCES UNLESS OTHERWISE SPECIFIED:		APVD D. BRATINA 13/MAR/98	NAME CONTACT, 3.18 [.125] BLADE,	
0 PLC ± -		PRODUCT SPEC	SIZE A2	
1 PLC ± -		APPLICATION SPEC	CAGE CODE 00779	
2 PLC ± 0.25 [.010]		114-2145	DRAWING NO 1217076	
3 PLC ± -		WEIGHT	RESTRICTED TO	
4 PLC ± -		4M BRASS	-	
ANGLES ± 1°		FINISH POST PLATED TIN	SCALE 8:1	
MATERIAL		CUSTOMER DRAWING		SHEET 1 OF 1
REV D1				