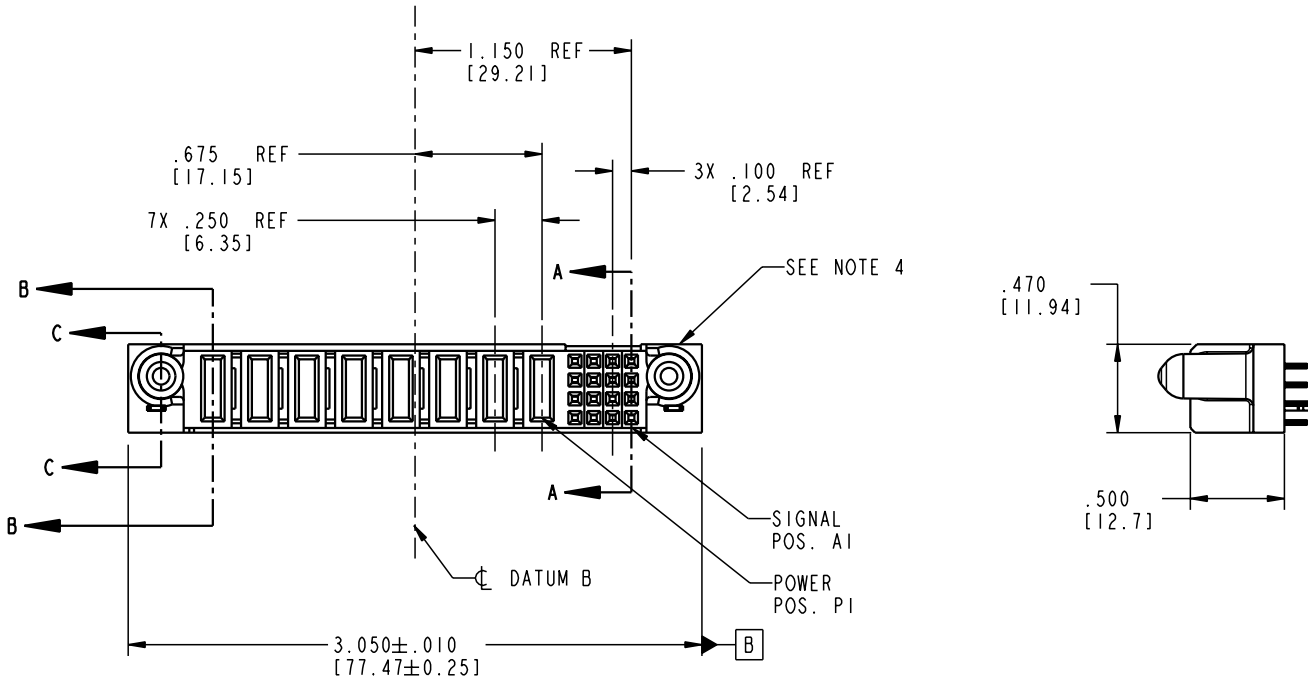


Tous droits strictement réservés. Reproduction ou communication à des tiers interdite sous quelque forme que ce soit sans autorisation écrite du propriétaire. Propriété de c FCI. Droits de reproduction FCI.

All rights strictly reserved. Reproduction or issue to third parties in any form whatsoever is not permitted without written authority from the proprietor. Property of FCI. Copyright FCI.

PRODUCT NO.	ROWS	POWER									SIGNAL				
		E2	P8	P7	P6	P5	P4	P3	P2	P1	4	3	2	1	E1
51751-009	D C B A														



CODE	DIM "M" MATING LENGTH	CONTACT TYPE
E	N/A [N/A]	SIGNAL
PA	.042 [1.07]	POWER
PD	.092 [2.34]	POWER
HA	N/A [N/A]	HOLD-DOWN

mat'l code		SEE NOTE 2	tolerances unless otherwise specified		CUSTOMER	<b>FCI</b> www.fciconnect.com	
ltr	ecn no.	dr	date	linear	COPY	title	
A	V03-0710	DAI	06/26/03	$.XX \pm .01 / 0.X \pm 0.3$	projection	16S + 8P	
				$.XXX \pm .005 / 0.XX \pm 0.13$		VERTICAL SOLDER RECEPT	
				$.XXX \pm .0020 / 0.XXX \pm 0.051$		product family	code
				angles $0^\circ \pm 2^\circ$	INCH/MM	PwrBlade	213
				dr D. INGRAM 06/26/03	scale	size	sheet
				enr M. MOSTOLLER 06/26/03	1:1	dwg no	1 of 4
				chr M. MOSTOLLER 06/26/03		A	51751-009
				appd M. MOSTOLLER 06/23/06			
sheet index	revision sheet	A	A	A			
		1	2	3			

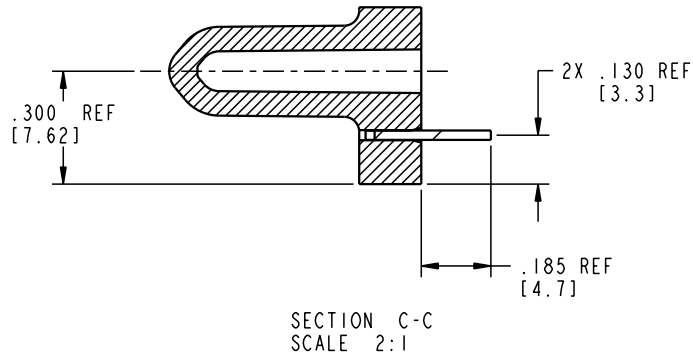
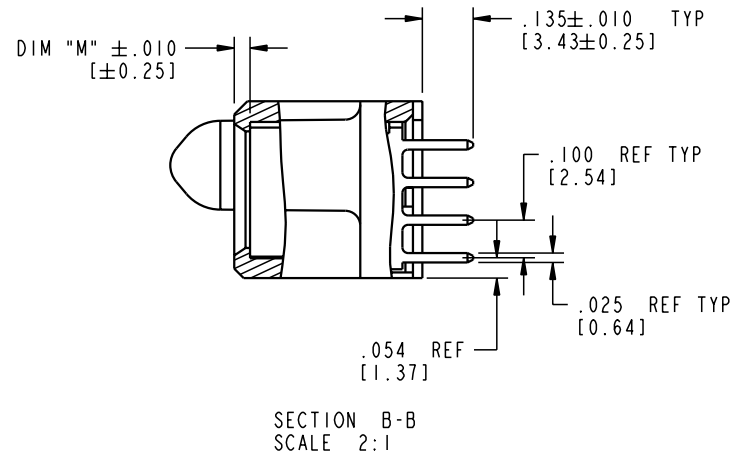
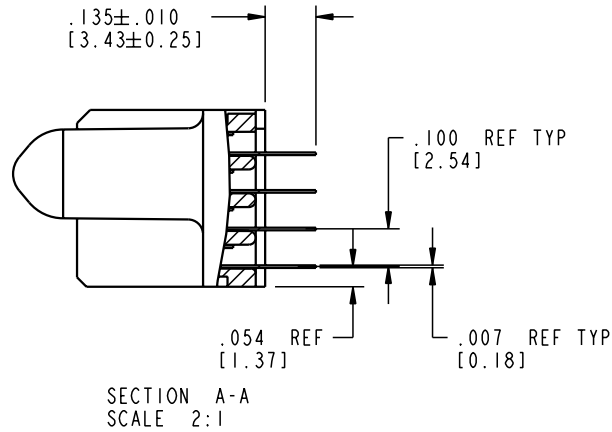
cage code 22526

Pro/E

Tous droits strictement réservés. Reproduction ou communication à des tiers interdite sous quelque forme que ce soit sans autorisation écrite du propriétaire. Propriété de c FCI. Droits de reproduction FCI.

All rights strictly reserved. Reproduction or issue to third parties in any form whatever is not permitted without written authority from the proprietor. Property of FCI. Copyright FCI.

PRODUCT NUMBER  
51751-009



mat'l code				SEE NOTE 2		tolerances unless otherwise specified		CUSTOMER		 www.fciconnect.com	
lir	ecm no.	dr	date	linear	$.XX \pm .01 / 0.X \pm 0.3$ $.XXX \pm .005 / 0.XX \pm 0.13$ $.XXX \pm .0020 / 0.XXX \pm 0.051$	projection			title		16S + 8P
A				angles	$0^\circ \pm 2^\circ$		INCH/MM		product family		PwrBlade
				dr	D. INGRAM 06/26/03	scale	1:1		size	dwg no	213
				engr	M. MOSTOLLER 06/26/03			A	51751-009		sheet
				chr	M. MOSTOLLER 06/26/03					2 of 4	
				appd	M. MOSTOLLER 06/23/06						
sheet index		revision sheet									

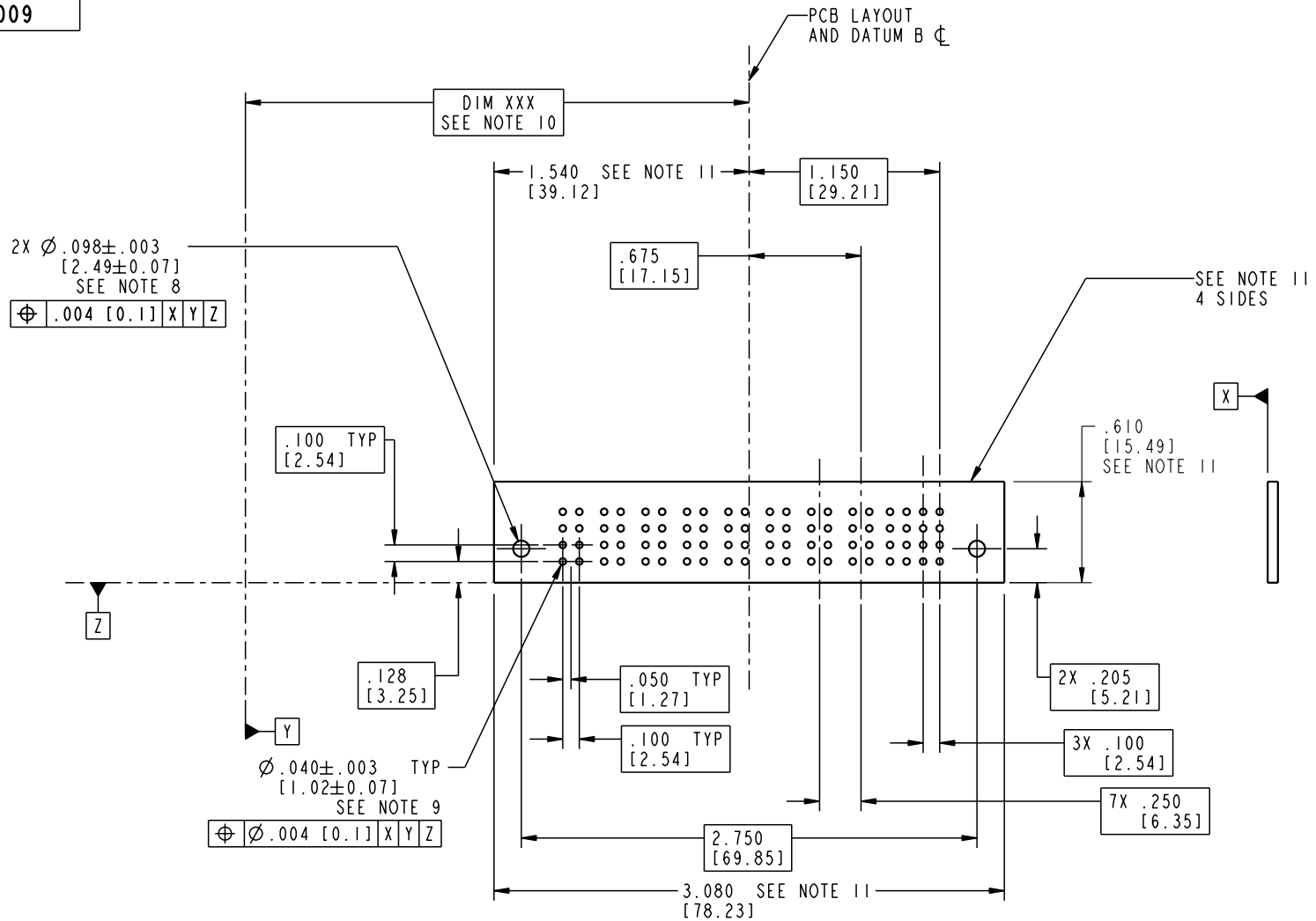
cage code 22526

Pro/E

Tous droits strictement réservés. Reproduction ou communication à des tiers interdite sous quelque forme que ce soit sans autorisation écrite du propriétaire. Propriété de c FCI. Droits de reproduction FCI.

All rights strictly reserved. Reproduction or issue to third parties in any form whatsoever is not permitted without written authority from the proprietor. Property of FCI. Copyright FCI.

PRODUCT NUMBER  
51751-009



mat'l code		SEE NOTE 2		tolerances unless otherwise specified		CUSTOMER		 www.fciconnect.com	
ltr	ecn no.	dr	date	linear	$XX \pm .01 / 0.X \pm 0.3$ $XXX \pm .005 / 0.XX \pm 0.13$ $XXXX \pm .0020 / 0.XXX \pm 0.051$	projection	title		
A				angles	$0^\circ \pm 2^\circ$		16S + 8P		
				dr	D. INGRAM 06/26/03	INCH/MM	product family		code
				enr	M. MOSTOLLER 06/26/03	scale	PwrBlade		213
				chr	M. MOSTOLLER 06/26/03	1:1	size dwg no		sheet
				appd	M. MOSTOLLER 06/23/06		A 51751-009		3 of 4
sheet index	revision sheet								

cage code 22526

Pro/E

Tous droits strictement réservés. Reproduction ou communication à des tiers interdite sous quelque forme que ce soit sans autorisation écrite du propriétaire. Propriété de c FCI. Droits de reproduction FCI.

All rights strictly reserved. Reproduction or issue to third parties in any form whatsoever is not permitted without written authority from the proprietor. Property of FCI. Copyright FCI.



PRODUCT NUMBER  
51751-009

NOTES:

1. DIMENSIONS AND TOLERANCES ARE IN ACCORDANCE WITH ASME Y14.5M, 1994 UNLESS OTHERWISE SPECIFIED.

CONNECTOR NOTES:

- 2 HOUSING MATERIAL: UL 94 V-0 GLASS FILLED  
HIGH-TEMP THERMOPLASTIC  
POWER CONTACT MATERIAL: COPPER ALLOY  
SIGNAL PIN MATERIAL: COPPER ALLOY
- 3. PLATING:  
SIGNAL PINS: 30u"/0.76um Au OVER 50u"/1.27um Ni  
POWER CONTACTS: 50u"/1.27um Ni UNDER ALL WITH 30u"/0.76um Au ON CONTACT AREA AND SnPb ON PCB INTERFACE

4 MANUFACTURER'S NAME, P/N, AND DATE CODE TO APPEAR ON THIS SURFACE.

5. PRODUCT SPECIFICATION GS-12-149.  
APPLICATION SPECIFICATION BUS-20-067.

6. PACKAGED IN TRAYS.

PCB NOTES:

7. ALL HOLE DIAMETERS ARE FINISHED HOLE SIZE.

8 MOUNTING HOLES, WHERE APPLICABLE, ARE UNPLATED.

9  $\varnothing .0453 \pm .0010$  [1.151  $\pm$  0.025] DRILLED HOLES PLATED WITH .0003 [0.008] MIN SnPb OVER .001 [0.03] TO .003 [0.08] Cu PLATING TO ACHIEVE  $\varnothing .040 \pm .003$  [1.02  $\pm$  .07] HOLE.

10 "DIM XXX" TO BE DETERMINED BY THE CUSTOMER.

11 CONNECTOR KEEP-OUT ZONE.

mat'l code		SEE NOTE 2		tolerances unless otherwise specified		CUSTOMER		 www.fciconnect.com	
ltr	ecn no.	dr	date	linear	projection	COPY		title	
A				$.XX \pm .01 / 0.X \pm 0.3$	$.XXX \pm .005 / 0.XX \pm 0.13$			16S + 8P	
				angles	$.XXX \pm .0020 / 0.XXX \pm 0.051$			VERTICAL SOLDER RECEPT	
				dr	$0^\circ \pm 2^\circ$	INCH/MM		product family PwrBlade code	
				enr	D. INGRAM 06/26/03	scale		size 213	
				chr	M. MOSTOLLER 06/26/03	1:1		sheet 4 of 4	
				appd	M. MOSTOLLER 06/23/06	A		51751-009	
sheet index	revision sheet								

1 | 2

3 |

4

A

A

B

B

1 | 2

Pro/E

3 |

cage code 22526

4