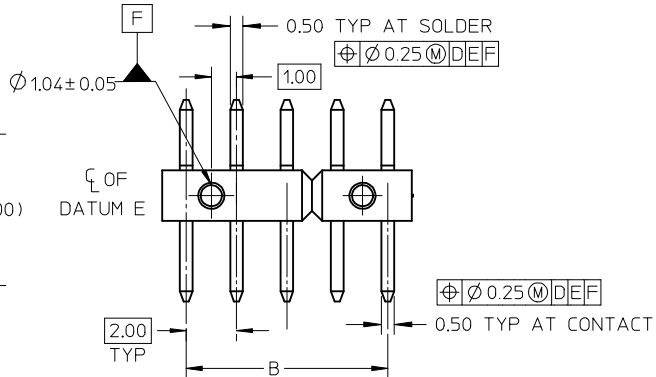
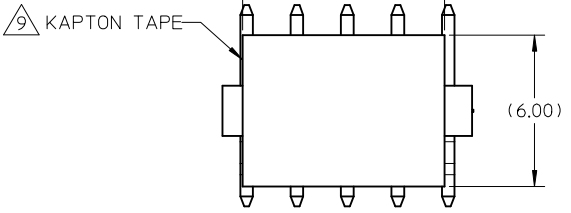
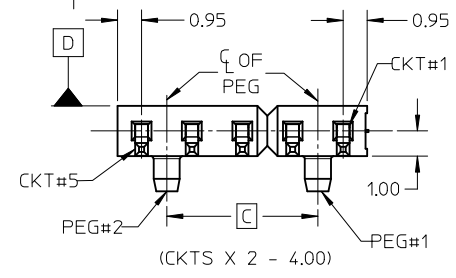


8	0.10 Z	02 - 10
	0.15 Z	11 - 19



NOTES:

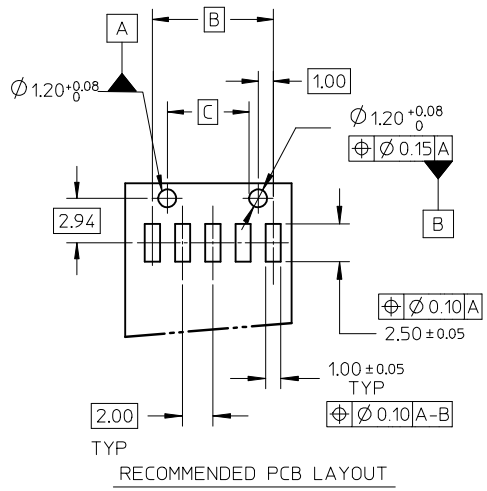
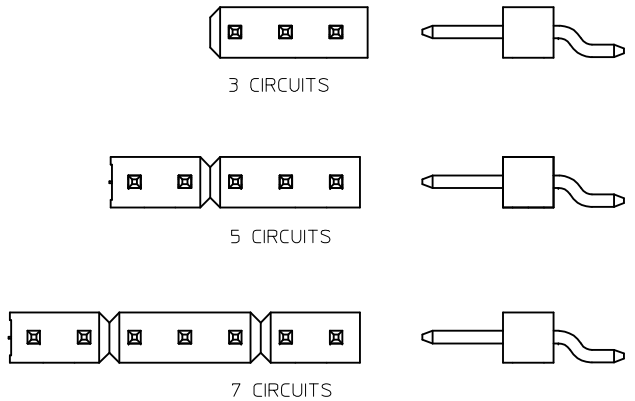
- MATERIAL:
HSG: LCP, GLASS-FILLED, UL94V-0, COLOR:BLACK
PIN: 0.50mm SQ, COPPER ALLOY
- PLATING:
(1) 2.54µm TIN OVERALL PLATING OVER NICKEL OVERALL
(2) 5.08µm TIN OVERALL PLATING OVER NICKEL OVERALL
- PACKAGING TYPE: SEE TABLE
- PACKAGING SPECIFICATION:
TRAY: PK-89990-487
TAPE & REEL: PK-89990-484
- PRODUCT SPEC PS-87761-100 APPLIES
- IRREGULAR CIRCUIT CUTOFF WITHIN BREAKAWAY SECTION IS PERMISSIBLE. MEASUREMENT AT BOTH ENDS, FROM CUT END TO THE CENTRELINE OF THE HOUSING CORE HOLE OF THE FIRST PIN REMAINS AT 0.95±0.20MM. CUTTING AND CHIPPING OF THE MAIN BODY IS NOT ACCEPTABLE.
- THE ABOVE CKT 5 IS FOR ILLUSTRATION PURPOSE ONLY
- COPLANARITY IS TO BE MEASURED BY RESTING THE SOLDER TAIL ON A GAUGE SURFACE
- KAPTON TAPE LOCATION IS CENTRED AT THE PART AS POSSIBLE.
- RECOMMENDED PCB BOARD THICKNESS: 1.60±0.10mm

EWRHSG MODIFICATION EC NO: S2009-0295 DR:WATSEE 2009/02/09 CHKD:SKANG 2009/02/10 APPR:MLONG 2009/02/11	QUALITY SYMBOLS ▽=0 Ⓢ=0	GENERAL TOLERANCES (UNLESS SPECIFIED)		DIMENSION STYLE MM ONLY		SCALE NTS	DESIGN UNITS METRIC	THIRD ANGLE PROJECTION			
		4 PLACES ± --- ± ---	3 PLACES ± --- ± ---	2 PLACES ± 0.2 ± ---	1 PLACE ± --- ± ---	DRAWN BY CWLAM	DATE 2007/12/04	TITLE 2MM SINGLE ROW HDR (ODD) SMT WITH PEG, BREAKAWAY			
		ANGULAR ± 3 °				CHECKED BY KWLEE	DATE 2007/12/17	APPROVED BY KWLEE			
		DRAFT WHERE APPLICABLE MUST REMAIN WITHIN DIMENSIONS				MATERIAL NO. SEE TABLE	DATE 2007/12/17	MOLEX INCORPORATED		DOCUMENT NO. SD-87858-022	SHEET NO. 1 OF 3

CKT SIZE	DIMENSION		
	A	B	C
03	5.90	4.00	-
05	9.90	8.00	6.00
07	13.90	12.00	10.00
09	17.90	16.00	14.00
11	21.90	20.00	18.00
13	25.90	24.00	22.00
15	29.90	28.00	26.00
17	33.90	32.00	30.00
19	37.90	36.00	34.00

PART NO. IN TAPE & REEL PACKAGING	CKT # SIZE	PART NO. IN TRAY PACKAGING	KAPTON TAPE	PEG	PLATING OPTION	VOID POSITION	DIMENSION		
							F	MATING END	SOLDER TAIL (P)
87858-0550	5	-	Y	N	1	----	8.00	3.20	2.80
87858-0750	7	-	Y	N	1	----	8.00	3.20	2.80
87858-0751	7	-	N	Y	1	----	8.00	3.20	2.80
87858-0760	7	-	Y	N	1	----	8.97	4.17	2.80

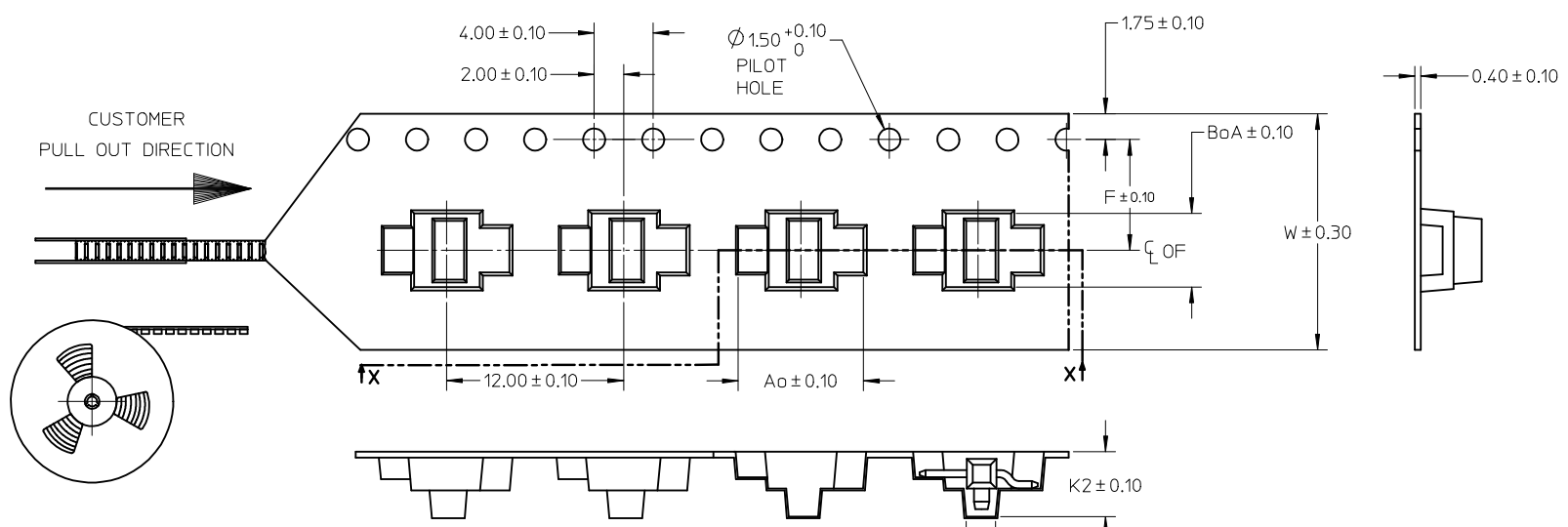
PART WITHOUT PEG CONFIGURATION



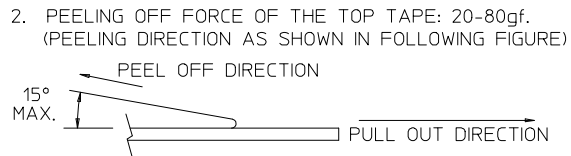
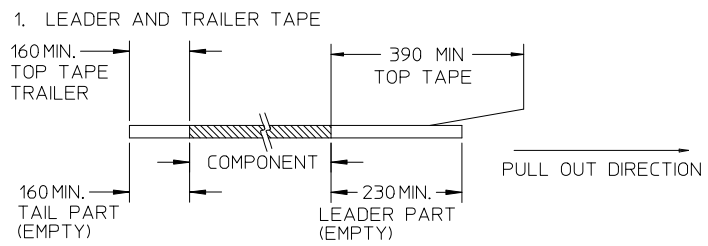
EWRHSG MODIFICATION EC NO: S2009-0295 DRWN:ATSEE 2009/02/09 CHKD:SKANG 2009/02/10 APPR:MLONG 2009/02/11	DESCRIPTION REV	QUALITY SYMBOLS	GENERAL TOLERANCES (UNLESS SPECIFIED) mm INCH 4 PLACES ± --- ± --- 3 PLACES ± --- ± --- 2 PLACES ± 0.2 ± --- 1 PLACE ± --- ± --- ANGULAR ± 3 °	DIMENSION STYLE	SCALE	DESIGN UNITS	THIRD ANGLE PROJECTION	
				MM ONLY	NTS	METRIC		
				DRAWN BY	DATE	TITLE		
				CWLAM	2007/12/04	2MM SINGLE ROW HDR (ODD) SMT WITH PEG, BREAKAWAY		
				CHECKED BY	DATE	MATERIAL NO.		
	KWLEE	2007/12/17	SEE TABLE					
	APPROVED BY	DATE	DOCUMENT NO.					
	KWLEE	2007/12/17	SD-87858-022					
			SHEET NO.					
			2 OF 3					
			THIS DRAWING CONTAINS INFORMATION THAT IS PROPRIETARY TO MOLEX INCORPORATED AND SHOULD NOT BE USED WITHOUT WRITTEN PERMISSION					

CKT	DIMENSION					PACKABLE QTY
	BoA	Ao	K2	F	W	
5	11.20	8.50	4.40	11.50	24.00	1200
7	15.20	8.50	4.40	11.50	24.00	1200

TAPE AND REEL INFORMATION



NOTES:



- 3. MATERIAL: BLACK P.S CONDUCTIVE
- 4. PACKAGING STANDARD IS AS PER EIA-481.
- 5. THE TAPE IS TREATED FOR ANTI-STATIC.

SECTION X-X

PART IN TAPE & REEL ORIENTATION (FOR REF. ONLY)

EWRHSG MODIFICATION EC NO: S2009-0295 DR:WATSEE 2009/02/09 CHK:D:SKANG 2009/02/10 APPR:MLONG 2009/02/11	QUALITY SYMBOLS	GENERAL TOLERANCES (UNLESS SPECIFIED)		DIMENSION STYLE	SCALE	DESIGN UNITS	THIRD ANGLE PROJECTION	
	▼=0 ∇=0	mm	INCH	MM ONLY	1:1	METRIC		
		4 PLACES ± --- ± ---	3 PLACES ± --- ± ---	2 PLACES ± 0.2 ± ---	DRAWN BY: CWLAM	DATE: 2007/12/04	TITLE: 2MM SINGLE ROW HDR (ODD) SMT WITH PEG, BREAKAWAY	
		1 PLACE ± --- ± ---	ANGULAR ± 3 °		CHECKED BY: KWLEE	DATE: 2007/12/17	MOLEX INCORPORATED	
		DRAFT WHERE APPLICABLE MUST REMAIN WITHIN DIMENSIONS		APPROVED BY: KWLEE	DATE: 2007/12/17	DOCUMENT NO. SD-87858-022	SHEET NO. 3 OF 3	
				MATERIAL NO. SEE TABLE	THIS DRAWING CONTAINS INFORMATION THAT IS PROPRIETARY TO MOLEX INCORPORATED AND SHOULD NOT BE USED WITHOUT WRITTEN PERMISSION			