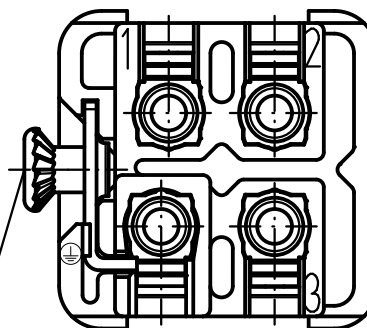
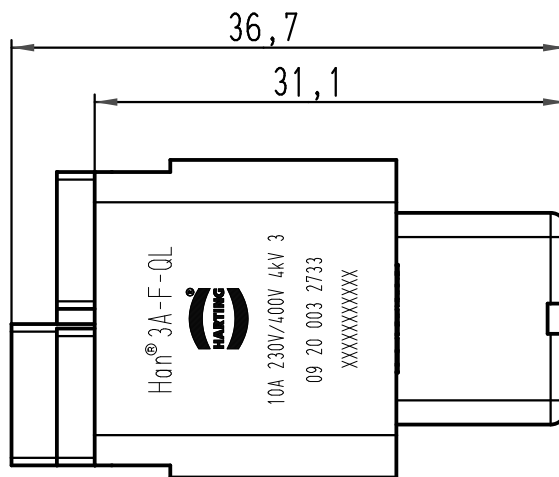
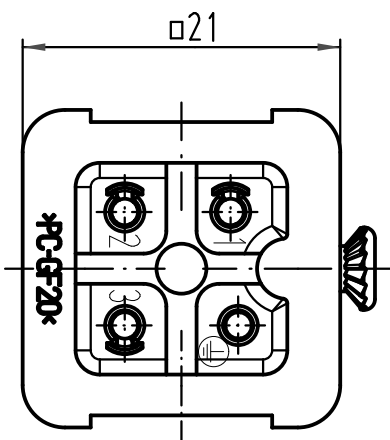


A

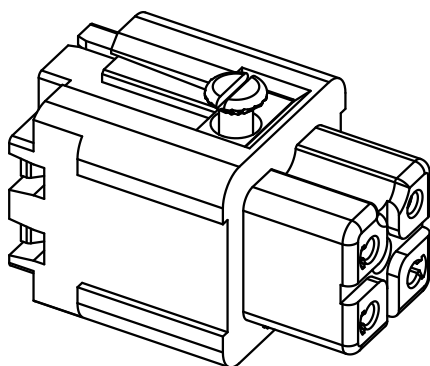
B

C

D



Befestigungsschraube
lose beigelegt/
*insert fixing screw
separately enclosed*



| | | | | | | |
|---|----------|-------------------|--------------------------------|------|--|---|
| All Dimensions in mm Original Size DIN A 4 | | Techn. Character. | | | Nicht tolerierte Masse/ Free size tolerances | |
| | | | Dat. | Name | Maßstab/ Scale 2:1 | Han 3A-F-QL <i>Buchseneinsatz/female insert</i> |
| | | Detail. | 20.08.09 | Ho | | |
| | | Insp. | | FER | | |
| | | Stand. | | | | |
| B | 24.09.10 | ML | HARTING Electric GmbH & Co. KG | | TB 09 20 003 2733 | Blatt/ page |
| A | | | D-32339 Espelkamp | | | |
| Mod. | Dat. | Name | | | Sub. | |