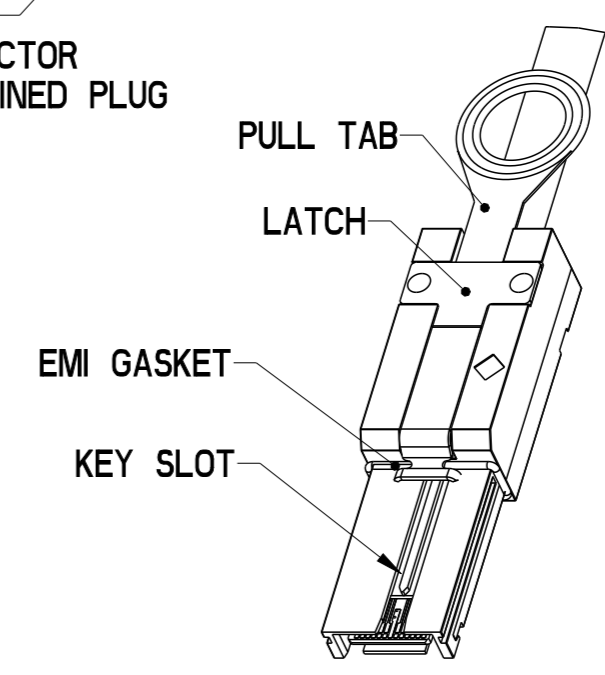
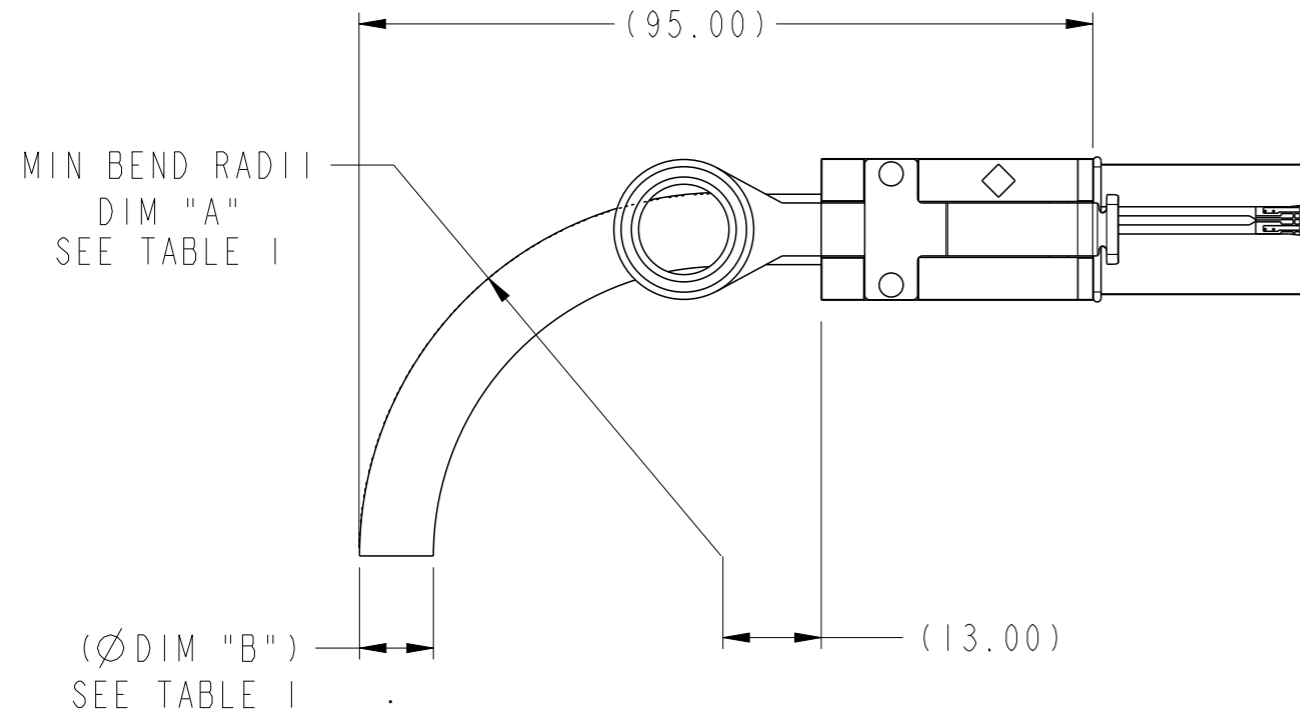


DETAIL A
KEY SLOTS #2 & #4 SHOWN
SCALE 2:1



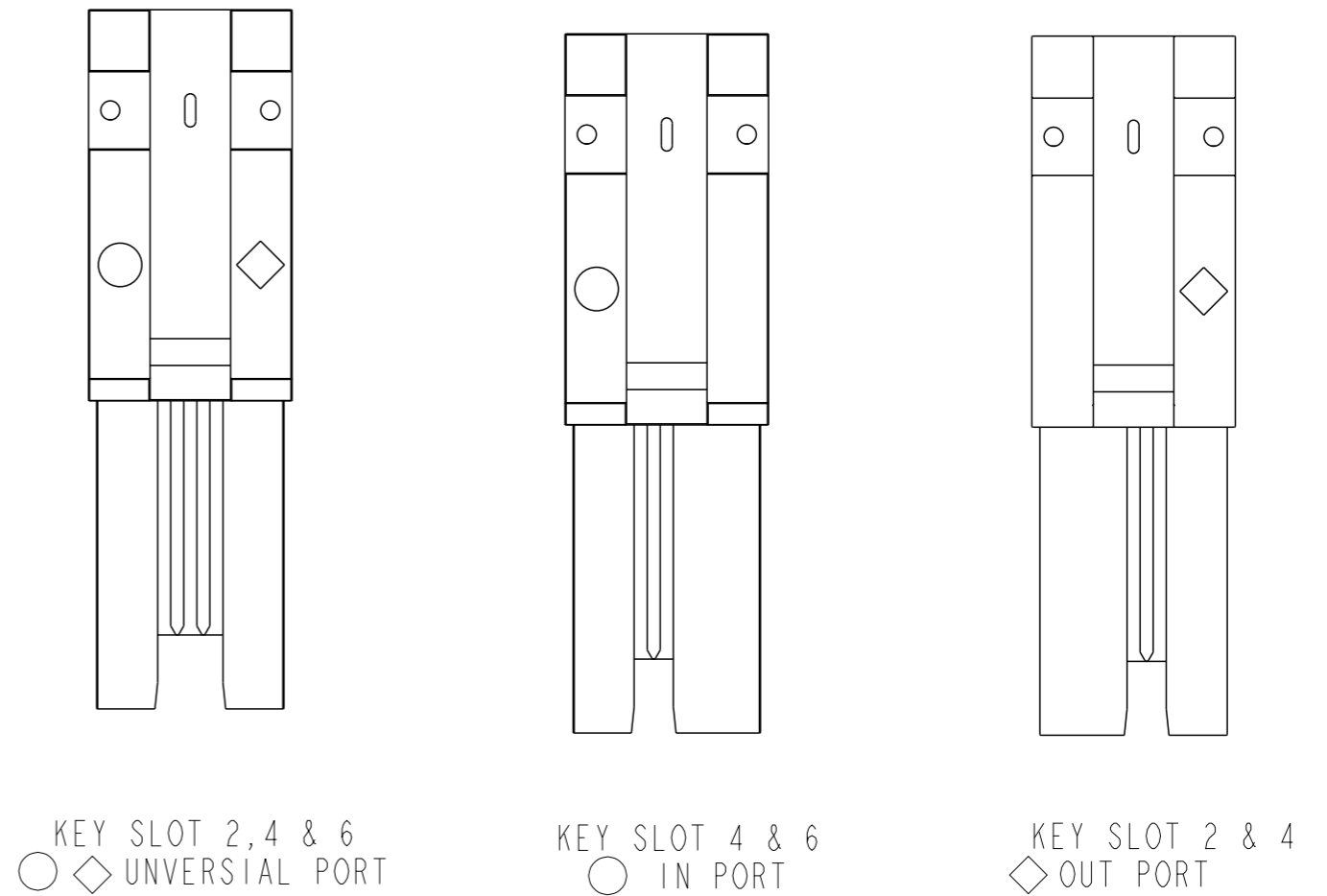
dr	Deborah Ingram	2010/06/03	projection 	MM 	size	A3	scale	1:1
eng	Tom Feng	2015/08/12			ecn no	ELX-N-21245-1		
chr	-	-			rel level	Released		
appr	Frank Mao	2015/08/12			product family	C&A		
		title MinisAS2.1, Untrained Assy, Plug to Plug			dwg no 10114976	rev C		
www.fci.com		cat. no.	-		Product - Customer Drw	sheet 1 of 6		



BEND RADIUS
(24 AWG SHOWN)

TABLE 1

CABLE	DESCRIPTION	DIM "A"	DIM "B"
24 AWG	NON-HF	R52.5	Ø10.2mm REF
26 AWG	NON-HF	R47.5	Ø9.5mm REF
28 AWG	NON-HF	R35.5	Ø8.0mm REF



MINI SAS 2.1 UNTRAINED KEYING OPTIONS

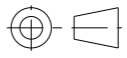

dr	Deborah Ingram	2010/06/03	projection 	size A3	scale 1:1	
eng	Tom Feng	2015/08/12				
chr	-	-				
appr	Frank Mao	2015/08/12	product family	C&A	rel level	Released
			title MiniSAS2.1, Untrained Assy, Plug to Plug		dwg no 10114976	rev C
www.fci.com			cat. no.	Product - Customer Drw		sheet 2 of 6



Copyright FCI.

TABLE 2 MINI SAS 2.1 UNTRAINED CABLE ASSEMBLY (NON-HF)

PRODUCT NUMBER SEE NOTE 4	DESCRIPTION	GAUGE	"DIM L" LENGTH	END P1 KEY SLOT	END P2 KEY SLOT
10114976-P010001LF	X4 SAS CABLE ASSEMBLY	28 AWG	1M	2, 4	4, 6
10114976-P020001LF	X4 SAS CABLE ASSEMBLY	28 AWG	2M	2, 4	4, 6
10114976-P030001LF	X4 SAS CABLE ASSEMBLY	28 AWG	3M	2, 4	4, 6
10114976-P040001LF	X4 SAS CABLE ASSEMBLY	28 AWG	4M	2, 4	4, 6
10114976-P050001LF	X4 SAS CABLE ASSEMBLY	28 AWG	5M	2, 4	4, 6
10114976-P060001LF	X4 SAS CABLE ASSEMBLY	28 AWG	6M	2, 4	4, 6
10114976-N040001LF	X4 SAS CABLE ASSEMBLY	26 AWG	4M	2, 4	4, 6
10114976-N050001LF	X4 SAS CABLE ASSEMBLY	26 AWG	5M	2, 4	4, 6
10114976-N060001LF	X4 SAS CABLE ASSEMBLY	26 AWG	6M	2, 4	4, 6
10114976-N070001LF	X4 SAS CABLE ASSEMBLY	26 AWG	7M	2, 4	4, 6
10114976-M060001LF	X4 SAS CABLE ASSEMBLY	24 AWG	6M	2, 4	4, 6
10114976-M070001LF	X4 SAS CABLE ASSEMBLY	24 AWG	7M	2, 4	4, 6
10114976-M080001LF	X4 SAS CABLE ASSEMBLY	24 AWG	8M	2, 4	4, 6
10114976-M090001LF	X4 SAS CABLE ASSEMBLY	24 AWG	9M	2, 4	4, 6
10114976-M100001LF	X4 SAS CABLE ASSEMBLY	24 AWG	10M	2, 4	4, 6
10114976-P005002LF	X4 SAS CABLE ASSEMBLY	28 AWG	0.5M	2, 4, 6	2, 4, 6
10114976-P006002LF	X4 SAS CABLE ASSEMBLY	28 AWG	0.6M	2, 4, 6	2, 4, 6
10114976-P012502LF	X4 SAS CABLE ASSEMBLY	28 AWG	1.25M	2, 4, 6	2, 4, 6
10114976-P015002LF	X4 SAS CABLE ASSEMBLY	28 AWG	1.5M	2, 4, 6	2, 4, 6
10114976-P010002LF	X4 SAS CABLE ASSEMBLY	28 AWG	1M	2, 4, 6	2, 4, 6
10114976-P020002LF	X4 SAS CABLE ASSEMBLY	28 AWG	2M	2, 4, 6	2, 4, 6
10114976-P030002LF	X4 SAS CABLE ASSEMBLY	28 AWG	3M	2, 4, 6	2, 4, 6
10114976-P035002LF	X4 SAS CABLE ASSEMBLY	28 AWG	3.5M	2, 4, 6	2, 4, 6
10114976-P040002LF	X4 SAS CABLE ASSEMBLY	28 AWG	4M	2, 4, 6	2, 4, 6
10114976-P050002LF	X4 SAS CABLE ASSEMBLY	28 AWG	5M	2, 4, 6	2, 4, 6
10114976-P060002LF	X4 SAS CABLE ASSEMBLY	28 AWG	6M	2, 4, 6	2, 4, 6
10114976-N040002LF	X4 SAS CABLE ASSEMBLY	26 AWG	4M	2, 4, 6	2, 4, 6
10114976-N050002LF	X4 SAS CABLE ASSEMBLY	26 AWG	5M	2, 4, 6	2, 4, 6
10114976-N060002LF	X4 SAS CABLE ASSEMBLY	26 AWG	6M	2, 4, 6	2, 4, 6
10114976-N070002LF	X4 SAS CABLE ASSEMBLY	26 AWG	7M	2, 4, 6	2, 4, 6
10114976-M060002LF	X4 SAS CABLE ASSEMBLY	24 AWG	6M	2, 4, 6	2, 4, 6
10114976-M070002LF	X4 SAS CABLE ASSEMBLY	24 AWG	7M	2, 4, 6	2, 4, 6
10114976-M080002LF	X4 SAS CABLE ASSEMBLY	24 AWG	8M	2, 4, 6	2, 4, 6
10114976-M090002LF	X4 SAS CABLE ASSEMBLY	24 AWG	9M	2, 4, 6	2, 4, 6
10114976-M100002LF	X4 SAS CABLE ASSEMBLY	24 AWG	10M	2, 4, 6	2, 4, 6

dr	Deborah Ingram	2010/06/03	projection	MM	size	A3	scale	1:1
eng	Tom Feng	2015/08/12				ecn no	ELX-N-21245-1	
chr	-	-	product family	C&A		rel level	Released	
appr	Frank Mao	2015/08/12					title	MinisAS2.1, Untrained
www.fci.com		cat. no.	-		Product - Customer Drw	sheet 3 of 6	rev	C

1

2

3

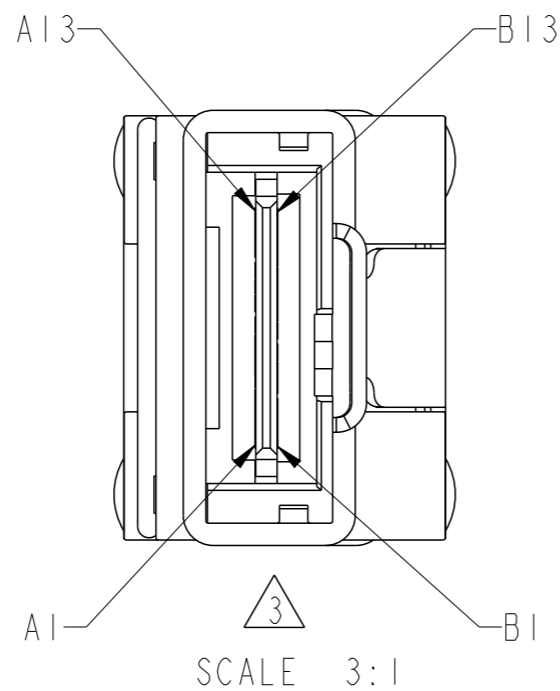
4

A

B

C

D



WIRING LIST SEE NOTE 7

	GND	A1	—	B1	GND
	Rx 0+	A2	←	B2	Tx 0+
	Rx 0-	A3	←	B3	Tx 0-
	GND	A4	—	B4	GND
	Rx 1+	A5	←	B5	Tx 1+
	Rx 1-	A6	←	B6	Tx 1-
	GND	A7	—	B7	GND
	Rx 2+	A8	←	B8	Tx 2+
	Rx 2-	A9	←	B9	Tx 2-
	GND	A10	—	B10	GND
	Rx 3+	A11	←	B11	Tx 3+
	Rx 3-	A12	←	B12	Tx 3-
	GND	A13	—	B13	GND
P1	GND	B1	—	A1	GND
	Tx 0+	B2	→	A2	Rx 0+
	Tx 0-	B3	→	A3	Rx 0-
	GND	B4	—	A4	GND
	Tx 1+	B5	→	A5	Rx 1+
	Tx 1-	B6	→	A6	Rx 1-
	GND	B7	—	A7	GND
	Tx 2+	B8	→	A8	Rx 2+
	Tx 2-	B9	→	A9	Rx 2-
	GND	B10	—	A10	GND
	Tx 3+	B11	→	A11	Rx 3+
	Tx 3-	B12	→	A12	Rx 3-
	GND	B13	—	A13	GND

A

B

C

D



Copyright FCI.

dr	Deborah Ingram	2010/06/03	projection	MM	size	A3	scale	1:1
eng	Tom Feng	2015/08/12			ecn no ELX-N-21245-1			
chr	-	-			rel level Released			
appr	Frank Mao	2015/08/12	product family C&A		rel level Released			
			title MinisAS2.1, Untrained Assy, Plug to Plug			dwg no 10114976		rev C
www.fci.com		cat. no.	-			Product - Customer Drw		sheet 4 of 6

2

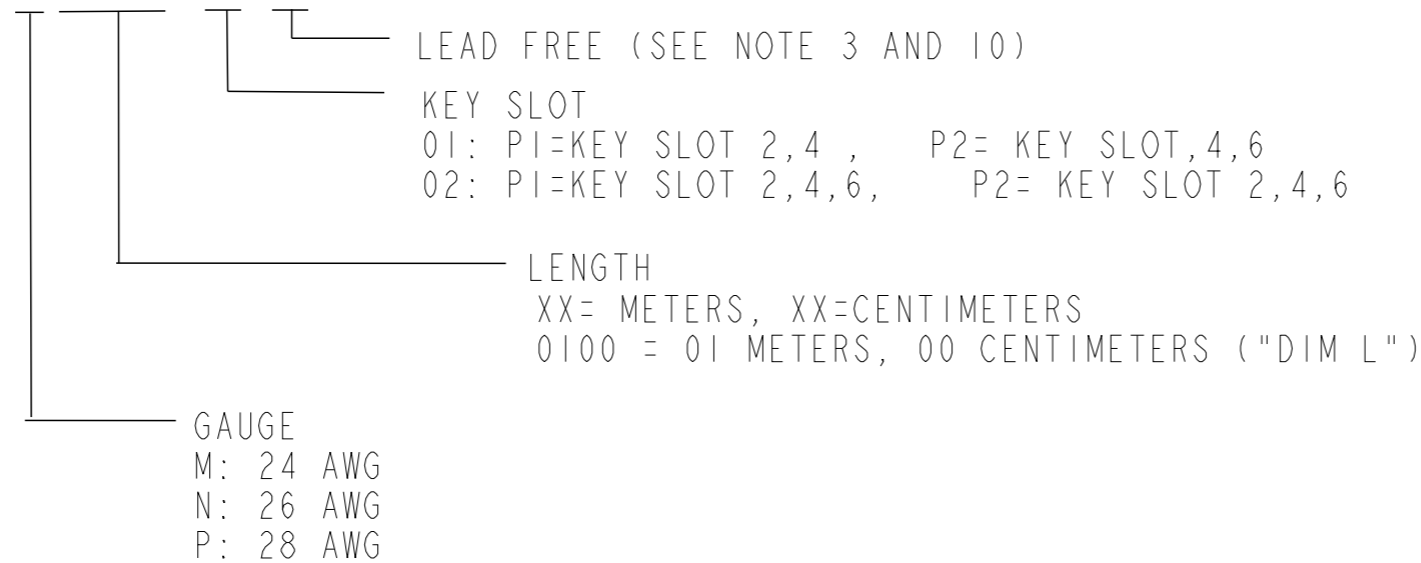
3

NOTES:

- ① - MATERIAL:
BACKSHELLS: ZINC DIECAST
PULL TAB: MOLDED THERMOPLASTIC
LATCH: STAINLESS STEEL
JET MELT: POLYAMIDE POLYMER
- 2 - ELECTRICAL PERFORMANCE PER CURRENT REVISION
OF SERIAL ATTACHED SCSI - 2.1 (SAS-2.1) T10/2125-D
- ③ - THIS PRODUCT MEETS THE RESTRICTION OF HAZARDOUS SUBSTANCES IN
ELECTRICAL AND ELECTRONIC EQUIPMENT (RoHS) DIRECTIVE (2011/65/EU)

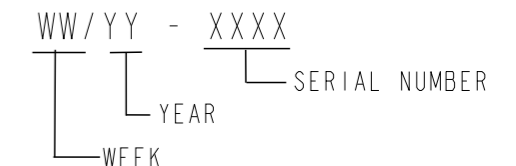
4 - PART NUMBER DESCRIPTION

10114976 - X XX XX XX LF



- ⑤ - UNLESS OTHERWISE SPECIFIED ASSEMBLED LENGTH TOLERANCE IS TO BE:
"DIM L" < 1 METER = ± 25.0mm
"DIM L" = 1 METER TO 10 METERS = ± 2% OF "DIM L"
"DIM L" > 10 METERS = +0.00/-4% OF "DIM L"
- ⑥ - UNLESS OTHERWISE SPECIFIED LABEL POSITION IS TO BE 50mm FROM REAR OF CONNECTOR.
LABEL DETAILS:
MANUFACTURER CODE OR NAME
CUSTOMER P/N OR FCI P/N
REVISION
DATE CODE (WW/YY FORMAT) - SERIAL NUMBER
COUNTRY ORIGIN

EXAMPLE SHOWN BELOW:



Copyright FCI.

dr	Deborah Ingram	2010/06/03	projection	MM	size	A3	scale	1:1
eng	Tom Feng	2015/08/12			ecn no	ELX-N-21245-1		
chr	-	-	product family	C&A	rel level	Released		
appr	Frank Mao	2015/08/12			www.fci.com	cat. no.	-	Product - Customer Drw
FCI		MiniSAS2.1, Untrained			dwg no	10114976		rev
		Assy, Plug to Plug						C

NOTES CONTINUED:

- ⑦ - ALL CABLE ASSEMBLIES SHALL BE 100% TESTED FOR CONTINUITY AS DEFINED IN WIRING LIST.
- 8 - UNLESS OTHERWISE SPECIFIED ALL CABLE ASSEMBLIES SHALL BE 100% HI-POT TESTED BY APPLYING 300V DC FOR A MINIMUM OF 10ms, UNLESS ACTIVE COMPONENTS ARE USED IN THIS ASSEMBLY.
- 9 - OTHER TESTING PERFORMED AS REQUIRED BY PRODUCT SPECIFICATION: GS-12-548.
- ⑩ - PACKAGING OF LEAD FREE PRODUCTS MEETS LABELING AND PACKAGING PER SPECIFICATION GS-14-920. PACKAGE CABLE ASSEMBLIES PER GS-14-1272.
- ⑪. THIS DIMENSION IS A FINISHED PRODUCT LENGTH.
- ③ 12. Raw cable is optional, which had been qualified by FCI and meet FCI product spec GS-12-548



Copyright FCI.

dr	Deborah Ingram	2010/06/03	projection 	MM ←→	size	A3	scale	1:1	
eng	Tom Feng	2015/08/12			ecn no	ELX-N-21245-1			
chr	-	-	product family	C&A	rel level				
appr	Frank Mao	2015/08/12			Released				
		title			MinisAS2.1, Untrained		dwg no	10114976	rev
www.fci.com		cat. no.			-		Product - Customer Drw		sheet 6 of 6