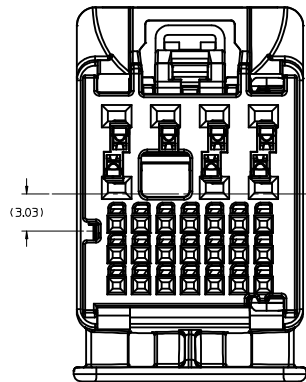
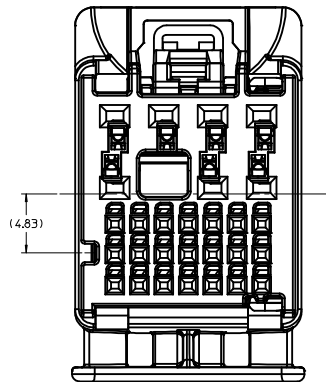


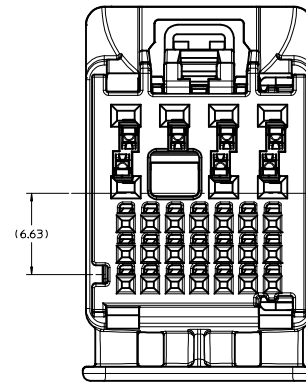
28WAY CONNECTOR ASSY
KEY 1
P/N 1600140001



28WAY CONNECTOR ASSY
KEY 2
P/N 1600140002



28WAY CONNECTOR ASSY
KEY 3
P/N 1600140003



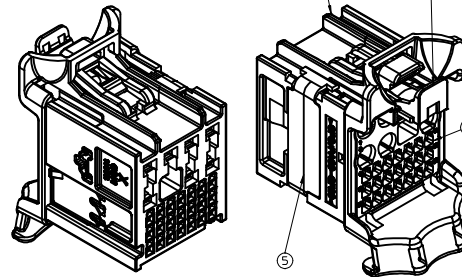
28WAY CONNECTOR ASSY
KEY 4
P/N 1600140004

- NOTES: VALID UNLESS OTHERWISE SPECIFIED
- GENERAL:
 - APPLICATION SPECIFICATION SEE: AS-160014-001
 - PRODUCT SPECIFICATION SEE: PS-160014-001
 - PACKAGING SPECIFICATION PER MOLEX DRAWING: PK-31302-266
 - PARTS MUST BE IN COMPLIANCE TO MOLEX CHEMICAL SUBSTANCES FOR PRODUCTS AND PACKAGING SPECIFICATION: ES-40000-5016
 - DATA MUST BE SUBMITTED UNDER THE MOLEX PART NUMBER TO IMDS (COMPANY ID#13255)
 - DESIGN - MATERIALS:
 - SEE BOM TABLE
 - DESIGN - GEOMETRY:
 - ALL GRAPHIC DATA IS BASIC (NO TOLERANCE) AND MUST BE TAKEN FROM THE DATA FILE AT ITS LATEST REVISION.
 - PRODUCT DESIGN MODEL NUMBER(S): SEE BOM TABLE
 - GEOMETRIC DIMENSIONS AND TOLERANCES PER ASME Y14.5M-2009
 - EDGES AND UNDIMENSIONED DETAILS PER ISO13715
 - CORNERS SHOWN AS SHARP TO BE R 0.2 MAX.
 - MARKED TEXT TO INCLUDE RECYCLING CODE, CAVITY ID, VENDOR IDENTIFICATION, AND CUSTOMER MATERIAL NUMBER.
 - LASER ETCHED DATE CODE
 - 1ST THROUGH 2ND DIGIT = CALENDAR YEAR
 - 3RD THROUGH 5TH DIGIT = 'DAY #' OF YEAR
 - 6TH THROUGH 7TH DIGIT = HOUR OF DAY
 - 8TH THROUGH 9TH DIGIT = MINUTE OF HOUR
 - 10TH THROUGH 11TH DIGIT = SECOND OF MINUTE
 - DESIGN - MANUFACTURING:
 - VISUAL DEFECTS SHALL MEET COSMETIC STANDARD PS-45499-002 (Class B)

MOLEX ASSEMBLY
PART NO.'S

1600140001	KEY 1
1600140002	KEY 2
1600140003	KEY 3
1600140004	KEY 4

ITEM	DESCRIPTION	COLOR	RECYCLING CODE	WEIGHT (GRAMS)	NO OF ITEMS REQUIRED
1	OUTER SHROUD - KEY 1	DARK GRAY	SPS/PA66-GF20	2.9	1
2	OUTER SHROUD - KEY 2	LT GREEN A	SPS/PA66-GF20	2.9	1
3	OUTER SHROUD - KEY 3	LT GRAY	SPS/PA66-GF20	2.9	1
4	OUTER SHROUD - KEY 4	BLACK	SPS/PA66-GF20	2.9	1
5	ISL	NATURAL	SPS-GF30	0.34	1 1 1 1 1
6	CPA	NATURAL	PA66-GF50	0.08	1 1 1 1 1
7	INNER HOUSING	STONE GRAY	SPS/PA-GF20	1.48	1 1 1 1 1



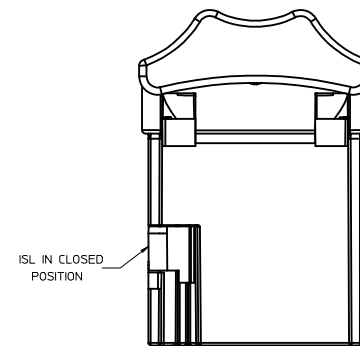
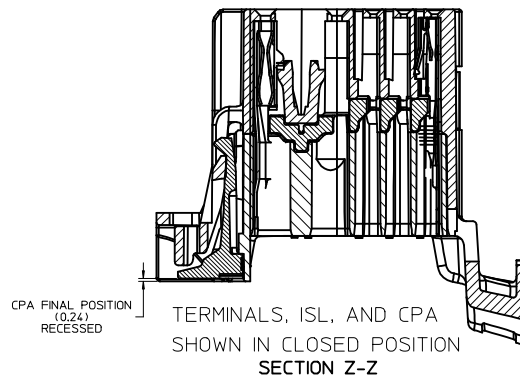
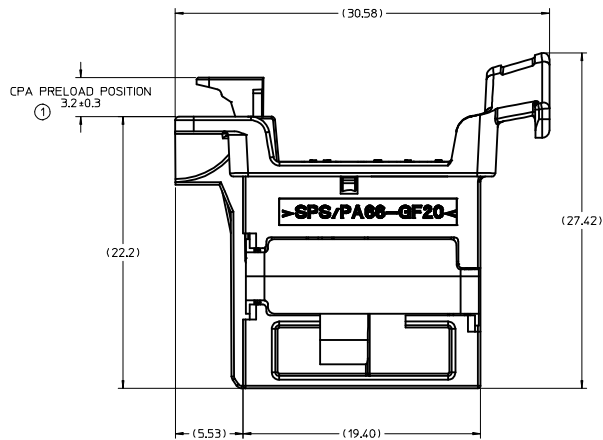
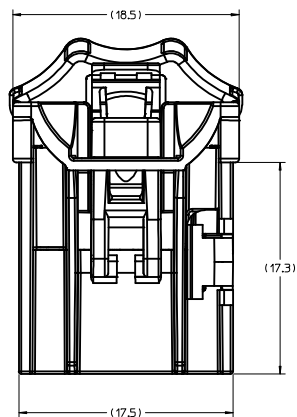
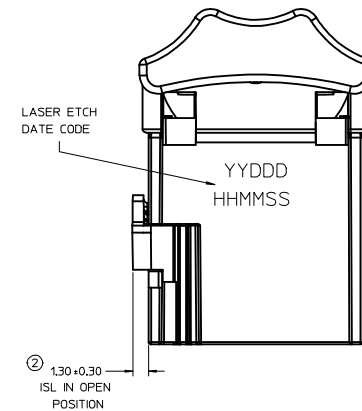
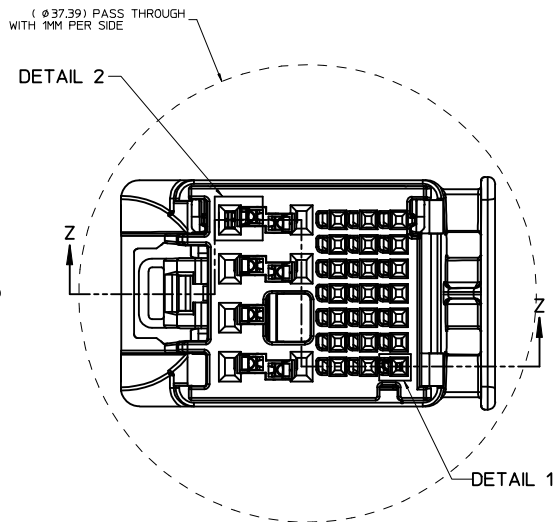
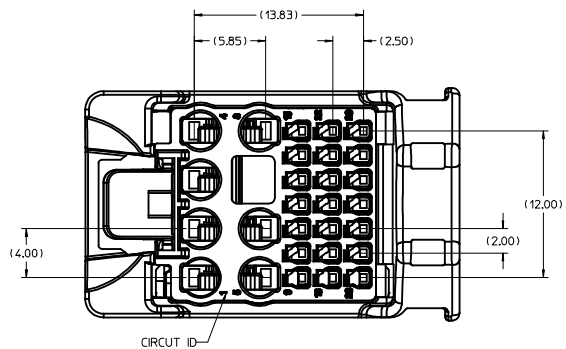
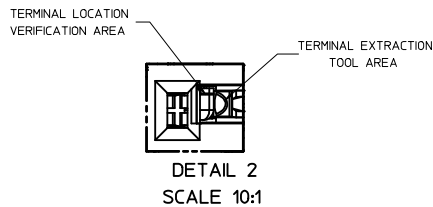
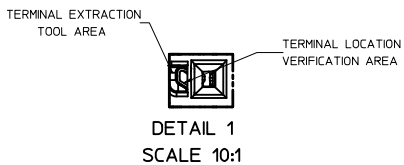
PART NUMBER	PLATING	SUPPLIER	WIRE GAGE (mm2)	TERMINAL FAMILY	WIRE SPECIFICATION
2-1703930-1	TIN PLATING	TE	0.22 - 0.35	NanoMOS SOCKET CONTACT (0.5 mm)	SAE/ J1128
1-1703930-1	TIN PLATING	TE	0.13 - 0.17	NanoMOS SOCKET CONTACT (0.5 mm)	THIN WALL INSULATION
13881789	TIN PLATING	DELPHI	0.35 - 0.5	TAXI TERM OCS 1.2	GMW 15626 INSULATION TYPE FLR (REGULAR THIN WALL)
13881788	TIN PLATING	DELPHI	0.75 - 0.8	TAXI TERM OCS 1.2	
SMSA-A031T-M1.2	TIN PLATING	JST	0.5 - 0.75	MSA 1.2mm TERMINAL	
SMSA-A041T-M1.2	TIN PLATING	JST	1.0 - 1.5	MSA 1.2mm TERMINAL	

A	UAU2017-0137 SAP # 10789287 JCONDON 08/13/2016
7	UAU2016-1182 SAP # 10762453 JCONDON 02/08/2016
6	UAU2015-1899 SAP # 10698159 JCONDON 06/17/2015
5	UAU2015-1606 SAP # 10685685 JCONDON 04/23/2015
4	UAU2015-0824 SAP # XXXXXX JCONDON 12/05/2014
3	UAU2014-1923 SAP # XXXXXXXX BSCUDDER 05/19/2014
2	UAU2014-1726 SAP # XXXXXXXX CBOWDEN 10/22/2013
1	UAU2014-0635 SAP # XXXXXXXX KDEKOSKI 10/09/2013

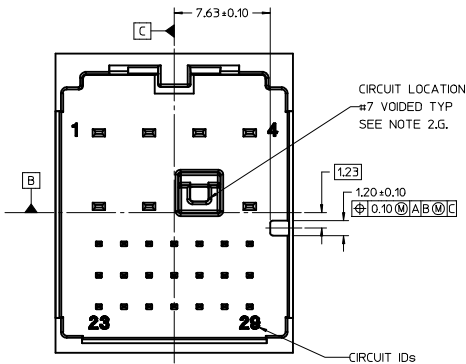
SEE REV COLUMN IEC NO. UAU2017-0137 DRAWN BY CONDON CHYD: APPROVALMAN 2016/08/16	QUALITY SYMBOLS ∇=0 ∇=0 ∇=0	GENERAL TOLERANCES (UNLESS SPECIFIED) mm INCH		DIMENSION STYLE MM ONLY	SCALE 5:1	DESIGN UNITS METRIC	THIRD ANGLE PROJECTION
		4 PLACES ± --- ± --- 3 PLACES ± --- ± --- 2 PLACES ± 0.3 ± --- 1 PLACE ± 0.3 ± --- 0 PLACE ± 0.3 ± ---	DRAWN BY DATE KDEKOSKI 2013/10/09 CHECKED BY DATE JCONDON 2013/12/06 APPROVED BY DATE	MATERIAL NO. CHARTED		DOCUMENT NO. SD-160014-0001	SHEET NO. 1 OF 2
DRAFT WHERE APPLICABLE MUST REMAIN WITHIN DIMENSIONS							
THIS DRAWING CONTAINS INFORMATION THAT IS PROPRIETARY TO MOLEX INCORPORATED AND SHOULD NOT BE USED WITHOUT WRITTEN PERMISSION							

28WAY STAK50H HYBRID
CONNECTOR ASSEMBLY

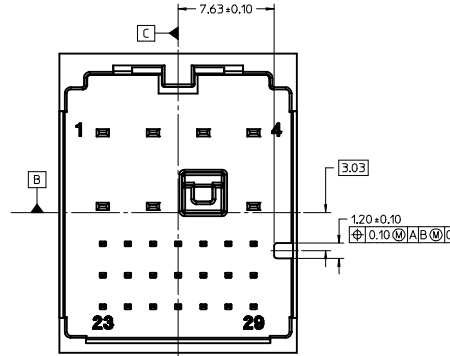




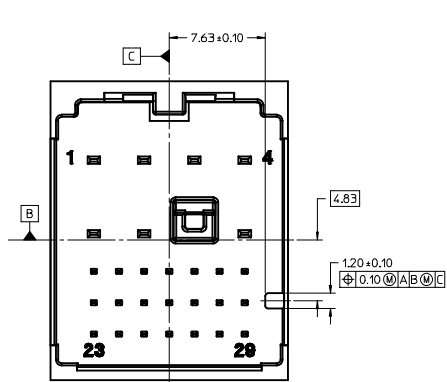
SEE SHEET 1 IEC NO. UAU2017-0137 DRAWN/CONDON CHKD: APPR:RBALMAN 2016/08/16	QUALITY SYMBOLS	GENERAL TOLERANCES (UNLESS SPECIFIED)	DIMENSION STYLE	SCALE	DESIGN UNITS	THIRD ANGLE PROJECTION	
	$\nabla=0$ $\nabla=0$ $\nabla=0$	4 PLACES ± --- ± --- 3 PLACES ± --- ± --- 2 PLACES ± 0.3 ± --- 1 PLACE ± 0.3 ± --- 0 PLACE ± 0.3 ± ---	MM ONLY INCH	DRAWN BY DATE KDEKOSKI 2013/10/09 CHECKED BY DATE JCONDON 2013/12/06 APPROVED BY DATE KDEKOSKI 2014/06/16	5:1	METRIC	TITLE 28WAY STAK50H HYBRID CONNECTOR ASSEMBLY
	ANGULAR ± DRAFT WHERE APPLICABLE MUST REMAIN WITHIN DIMENSIONS	MATERIAL NO.	SIZE	DOCUMENT NO.	SHEET NO. 2 OF 2		
	SEE SHEET 1 D	SEE SHEET 1 D	SEE SHEET 1 D	SD-160014-0001	THIS DRAWING CONTAINS INFORMATION THAT IS PROPRIETARY TO MOLEX INCORPORATED AND SHOULD NOT BE USED WITHOUT WRITTEN PERMISSION		



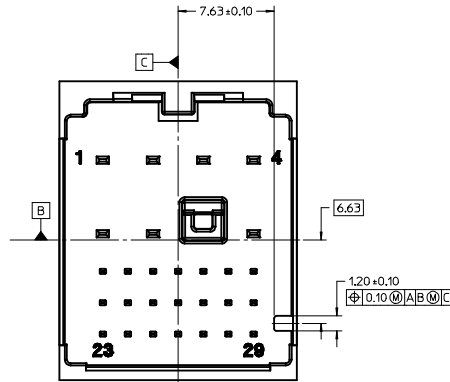
INTERFACE KEY #1
MATING CONNECTOR COLOR: DARK GRAY



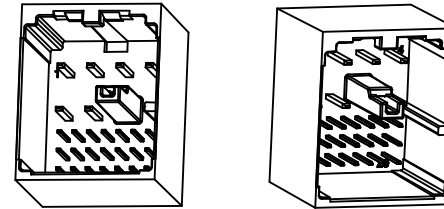
INTERFACE KEY #2
MATING CONNECTOR COLOR: LT GREEN A



INTERFACE KEY #3
MATING CONNECTOR COLOR: LIGHT GRAY



INTERFACE KEY #4
MATING CONNECTOR COLOR: BLACK

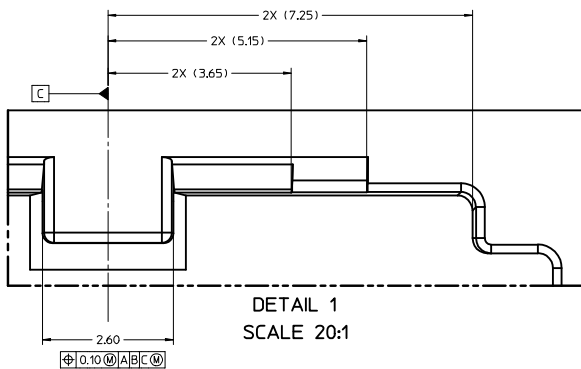


NOTES: VALID UNLESS OTHERWISE SPECIFIED

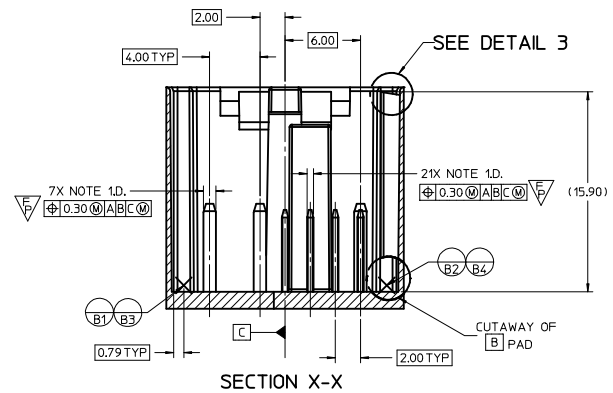
- DESIGN - MATERIALS:
 - RESIN MATERIAL: PBT-GF30 OR SPS-GF30 OR EQUIVALENT
 - PIN/BLADE MATERIAL: ACCORDING TO USCAR DRAWING EWCAP-001 NOTE B2.
 - PLATING: ACCORDING TO USCAR DRAWING EWCAP-001 TIN REFLOW WITH UNDERPLATE.
 - PIN GEOMETRY ACCORDING TO USCAR DRAWING EWCAP-001 (120-T002 & 050-T001)
- DESIGN - GEOMETRY:
 - ALL GRAPHIC DATA IS BASIC (NO TOLERANCE) AND MUST BE TAKEN FROM THE DATA FILE AT ITS LATEST REVISION.
 - PRODUCT DESIGN MODEL NUMBER(S): SEE BOM TABLE
 - GEOMETRIC DIMENSIONS AND TOLERANCES PER ASME Y14.5M-2009
 - GENERAL TOLERANCES:
 - LINEAR: PER DIN 16901 LINEAR CODE B FOR PRECISION ENGINEERING
 - ANGULAR: ±3°
 - EDGES AND UNDIMENSIONED DETAILS PER ISO13715
 - CORNERS SHOWN AS SHARP TO BE R 0.2 MAX.
 - CIRCUIT LOCATION #7 VOIDED FOR 28WAY INTERFACE
- DESIGN - MANUFACTURING:
 - DRAFT TO BE WITHIN TOLERANCE.

A1	UAU2016-1133 SAP # 10762453 JCONDON 02/02/2016
A	UAU2015-1973 SAP # 10701371 JCONDON 06/30/2015
6	UAU2015-1446 SAP # 10681629 JCONDON 03/25/2015
5	UAU2015-1212 SAP # 10674908 JCONDON 02/06/2015
4	UAU2015-0634 SAP # 10661788 JCONDON 10/22/2014
3	UAU2014-1679 SAP # XXXXXXXX BSCUDDER 04/28/2014
2	UAU2014-1221 SAP # XXXXXXXX MYOUNG01 01/21/2014
1	UAU2014-0715 SAP # XXXXXXXX MYOUNG01 11/14/2013

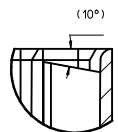
SEE REV COLUMN SEC NO: UAU2016-1982 DRAWN: JCONDON CHKD: APPR: KDEKOSKI REV: A1	QUALITY SYMBOLS	GENERAL TOLERANCES (UNLESS SPECIFIED)	DIMENSION STYLE MM ONLY	SCALE 5:1	DESIGN UNITS METRIC	THIRD ANGLE PROJECTION
	▽=0	mm INCH	DRAWN BY DATE MYOUNG01 2013/11/14	TITLE 28WAY STAK50H INTERFACE DRAWING	molex	DOCUMENT NO. SD-160014-002
	▽=0	4 PLACES ±--- ±---	CHECKED BY DATE JCONDON 2013/12/04	SHEET NO. 1 OF 3		
	▽=0	3 PLACES ±--- ±---	APPROVED BY DATE KDEKOSKI 2014/01/02			
▽=0	2 PLACES ±--- ±--- 1 PLACE ±--- ±--- 0 PLACE ±--- ±---	MATERIAL NO. N/A				
DRAFT WHERE APPLICABLE MUST REMAIN WITHIN DIMENSIONS			SIZE A1	THIS DRAWING CONTAINS INFORMATION THAT IS PROPRIETARY TO MOLEX INCORPORATED AND SHOULD NOT BE USED WITHOUT WRITTEN PERMISSION		



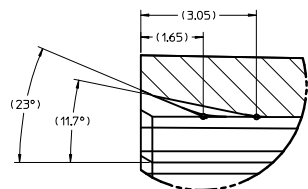
DETAIL 1
SCALE 20:1



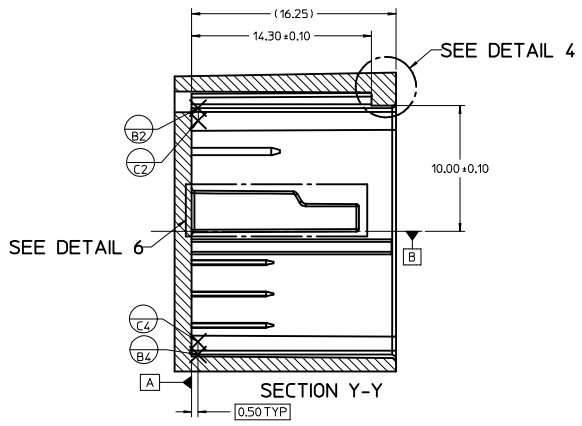
SECTION X-X



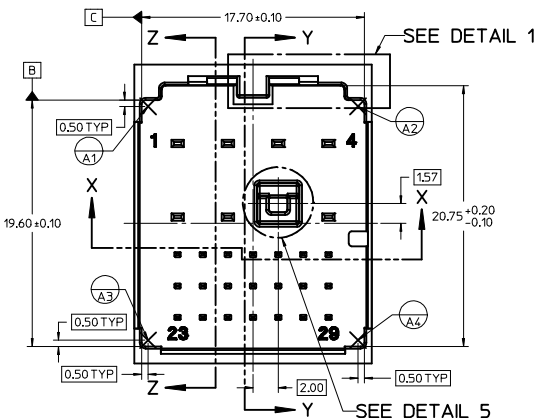
DETAIL 3
SCALE 15:1



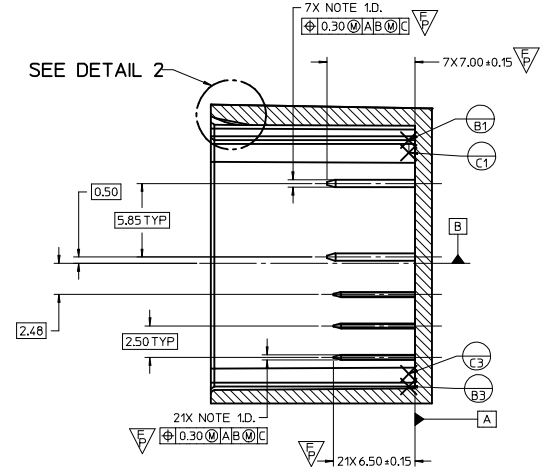
DETAIL 2
SCALE 15:1



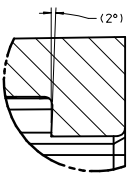
SECTION Y-Y



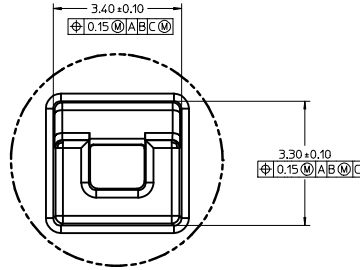
SECTION Z-Z



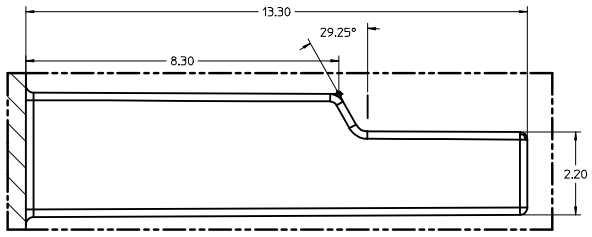
SECTION Z-Z



DETAIL 4
SCALE 15:1



DETAIL 5
SCALE 15:1

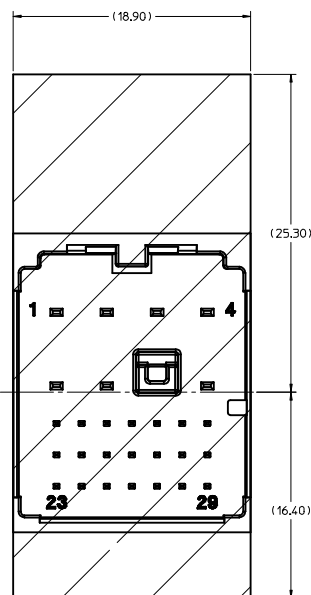
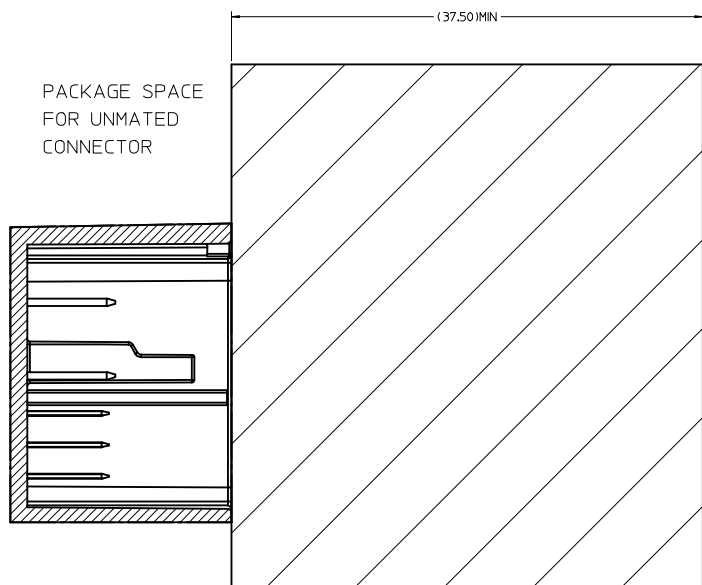


DETAIL 6
SCALE 15:1

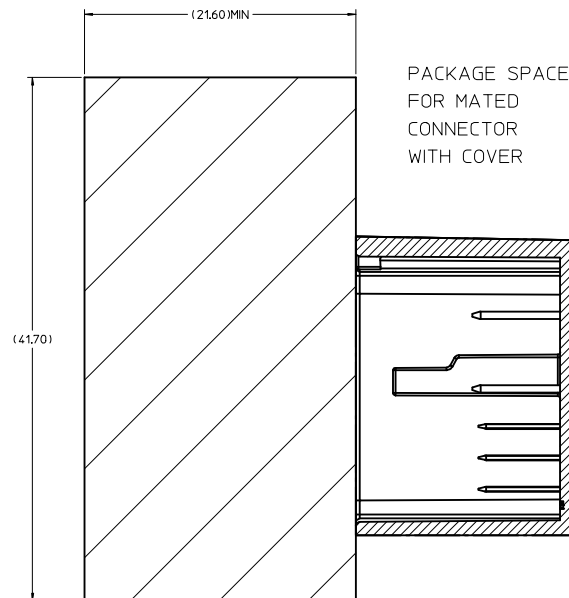
SEE SHEET 1 EC NO: UA02016-1062 DRAWN: JCONDON CHKD: APPR:KDEKOSKI 2016/03/24	QUALITY SYMBOLS	GENERAL TOLERANCES (UNLESS SPECIFIED)	DIMENSION STYLE	SCALE	DESIGN UNITS	THIRD ANGLE PROJECTION
	▽=0	4 PLACES ±	MM ONLY	5:1	METRIC	☑
	▽=0	3 PLACES ±	mm			
	▽=6	2 PLACES ±	INCH			
	DESCRIPTION	DRAG WHERE APPLICABLE MUST REMAIN WITHIN DIMENSIONS	DRAWN BY: MYOUNG01 CHECKED BY: JCONDON APPROVED BY: KDEKOSKI	DATE: 2013/11/14 DATE: 2013/12/04 DATE: 2014/01/02	TITLE: 28WAY STAK50H INTERFACE DRAWING	
		ANGULAR ±	MATERIAL NO. N/A	DOCUMENT NO. SD-160014-002		
			SIZE: A1	molex THIS DRAWING CONTAINS INFORMATION THAT IS PROPRIETARY TO MOLEX INCORPORATED AND SHOULD NOT BE USED WITHOUT WRITTEN PERMISSION		SHEET NO. 2 OF 3

PACKAGE SPACE FOR CONNECTOR

PACKAGE SPACE FOR UNMATED CONNECTOR



PACKAGE SPACE FOR MATED CONNECTOR WITH COVER



SEE SHEET 1 SEC NO: UA02016-1462 DRAWN: JCONDON CHKD: APPR:KDEKOSKI A1 2016/02/02 2016/03/24	QUALITY SYMBOLS	GENERAL TOLERANCES (UNLESS SPECIFIED)	DIMENSION STYLE	SCALE	DESIGN UNITS	THIRD ANGLE PROJECTION
	▽=0	mm	MM ONLY	5:1	METRIC	
	▽=0	INCH				
	▽=0	4 PLACES ±	DRAWN BY MYOUNG01	DATE 2013/11/14	TITLE 28WAY STAK50H INTERFACE DRAWING	
	▽=0	3 PLACES ±	CHECKED BY JCONDON	DATE 2013/12/04	molex	
▽=0	2 PLACES ±	APPROVED BY KDEKOSKI	DATE 2014/01/02	DOCUMENT NO. SD-160014-002	SHEET NO. 3 OF 3	
	1 PLACE ±			THIS DRAWING CONTAINS INFORMATION THAT IS PROPRIETARY TO MOLEX INCORPORATED AND SHOULD NOT BE USED WITHOUT WRITTEN PERMISSION		
	0 PLACE ±					