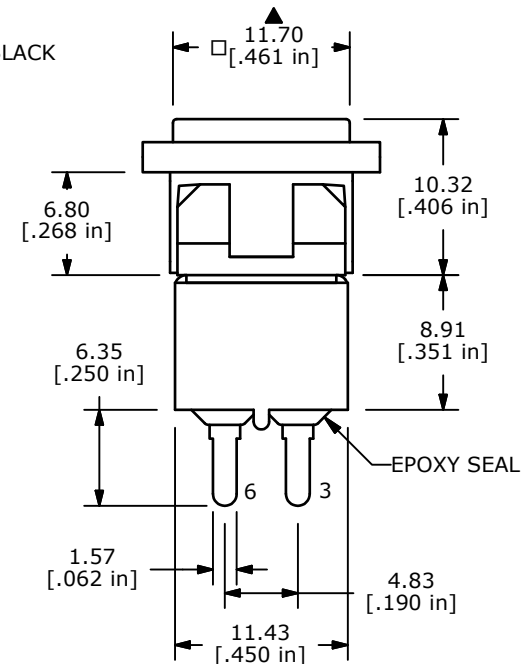
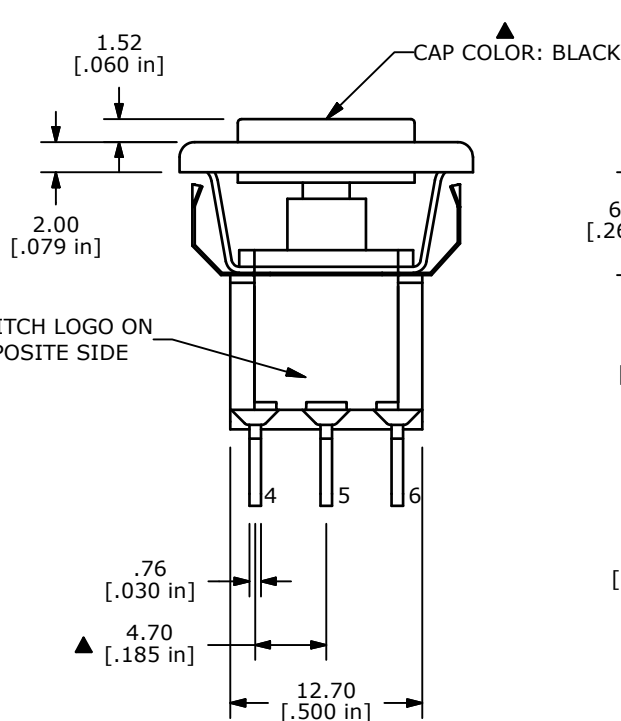
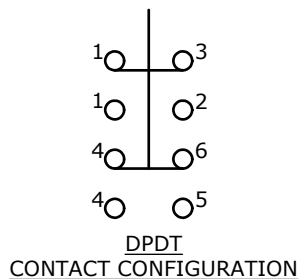


SWITCH FUNCTION	
POS. 1	POS. 2
ON	(ON)
1-3, 4-6	1-2, 4-5

(ON)=MOMENTARY

PANEL THICKNESS	( X ) DIM.
1.19 - 2.30	15.70
2.31 - 3.18	15.75 - 15.88



- NOTE:
- ALL DIMENSIONS IN MM [INCH]
  - GENERAL TOLERANCE: X.X=±0.4  
X.XX=±0.25
  - TERMINAL NUMBERS FOR REF ONLY
  - CONTACT MATERIAL: SILVER PLATED COPPER ALLOY
  - RATING: 1A @ 250VAC  
3A @ 120VAC OR 28VDC
  - ELECTRIC LIFE: 50,000 MAKE-AND-BREAK CYCLES AT FULL LOAD
  - INSULATION RESISTANCE: 1,000 MEGA-OHM MIN.
  - ACUATION FORCE: 300 ± 100gf
  - TRAVEL: 1.0 ± 0.2mm
  - CONTACT RESISTANCE: 20 mOHM MAX.  
TYPICAL @ 2-4 VDC
  - DIELECTRIC STRENGTH: 1,000 V RMS @ SEA LEVEL.
  - OPERATING TEMP.: -30°C to 85°C
  - ▲ DENOTES CRITICAL PARAMETER.
  - 2002/95/EC (ROHS) COMPLIANT.



REV	PCR NO	DESCRIPTION	DATE	BY
B	20057	DRAWING UPDATE / CLEAN-UP	7/27/11	BGL
A	16851	RELEASED FOR PRODUCTION	1/12/2007	TN

TITLE 700DP7M3QEAP2BLKBLK				
SCALE 2:1	DATE 1/12/2007	DR TN	DWG T711072	REV B

THE INFORMATION CONTAINED IN THIS DOCUMENT IS PROPRIETARY TO E-SWITCH AND IS NOT TO BE COPIED OR TRANSFERRED