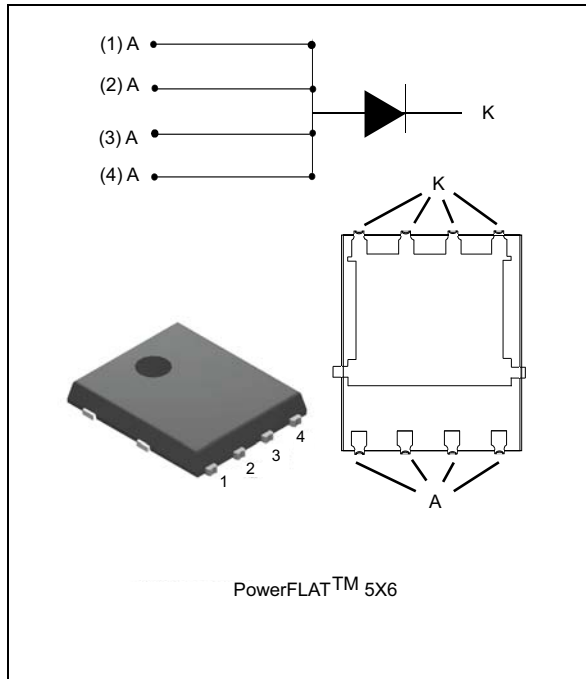


Automotive power Schottky rectifier

Datasheet - production data



Description

Schottky rectifier suited for switch mode power supply and high frequency DC to DC converters.

Packaged in PowerFLAT™ wettable flanks, this device is intended for use in low voltage, high frequency inverters, free-wheeling and polarity protection applications in automotive applications.

Its low profile was especially designed to be used in applications with space-saving constraints.

Table 1. Device summary

Symbol	Value
$I_{F(AV)}$	30 A
V_{RRM}	45 V
T_j (max.)	175 °C
V_F (typ.)	0.41 V

Features

- Low forward voltage drop
- Very small conduction losses
- Negligible switching losses
- Extremely fast switching
- Low thermal resistance
- Avalanche capability specified
- Thin package: 1 mm
- ECOPACK®2 compliant component
- AEC-Q101 qualified
- Wettable flanks for A.V.I. (Automatic visual inspection)
- PPAP capable

TM: PowerFLAT is a trademark of STMicroelectronics

1 Characteristics

Table 2. Absolute ratings (limiting values at 25 °C unless otherwise specified, anode terminals short circuited)

Symbol	Parameter	Value	Unit
V _{RRM}	Repetitive peak reverse voltage T _j = -40 °C to +175 °C	45	V
I _{F(RMS)}	Forward rms current	45	A
I _{F(AV)}	Average forward current T _c = 130 °C, δ = 0.5	30	A
I _{FSM}	Surge non repetitive forward current t _p = 10 ms sinusoidal	380	A
P _{ARM}	Repetitive peak avalanche power t _p = 10 μs T _j = 125 °C	900	W
T _{stg}	Storage temperature range	-65 to +175	°C
T _j	Operating junction temperature ⁽¹⁾	-40 to +175	°C

1. $\frac{dP_{tot}}{dT_j} < \frac{1}{R_{th(j-a)}}$ condition to avoid thermal runaway for a diode on its own heatsink.

For pulse time duration deratings, please refer to Figure 3. More details regarding the avalanche energy measurements and diode validation in the avalanche are provided in the STMicroelectronics Application notes AN1768, "Admissible avalanche power of schottky diodes" and AN2025, "Converter improvement using Schottky rectifier avalanche specification".

Table 3. Thermal resistance

Symbol	Parameter	Max. value	Unit
R _{th(j-c)}	Junction to case	2.0	°C/W

Table 4. Static electrical characteristics (anode terminals short circuited)

Symbol	Parameter	Test conditions		Min.	Typ.	Max.	Unit
$I_R^{(1)}$	Reverse leakage current	$T_j = 25\text{ °C}$	$V_R = V_{RRM}$	-	-	300	μA
		$T_j = 125\text{ °C}$		-	20	80	mA
$V_F^{(1)}$	Forward voltage drop	$T_j = 25\text{ °C}$	$I_F = 15\text{ A}$	-	-	0.56	V
		$T_j = 125\text{ °C}$		-	0.41	0.46	
		$T_j = 25\text{ °C}$	$I_F = 30\text{ A}$	-	-	0.68	
		$T_j = 125\text{ °C}$		-	0.50	0.56	

1. Pulse test $t_p = 380\text{ }\mu\text{s}$, $\delta < 2\%$

To evaluate the conduction losses, use the following equation:

$$P = 0.43 \times I_{F(AV)} + 0.00433 \times I_F^2(RMS)$$

For more information, please refer to the following application notes related to the power losses.

- AN604 (Calculation of conduction losses in a power rectifier)
- AN4021 (Calculation of reverse losses in a power diode)

Figure 1. Average forward power dissipation versus average forward current

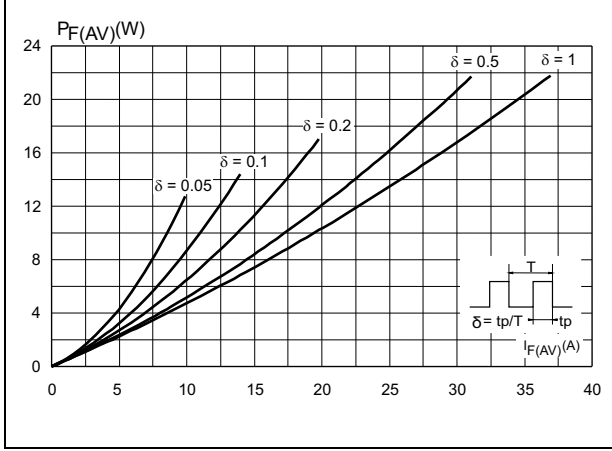


Figure 2. Average forward current versus ambient temperature ($\delta = 0.5$)

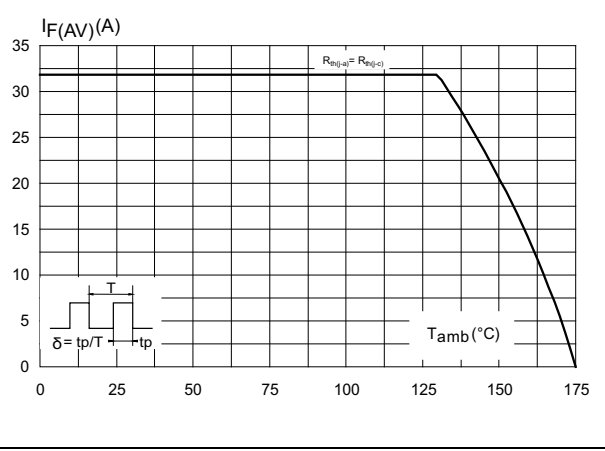


Figure 3. Normalized avalanche power derating versus pulse duration

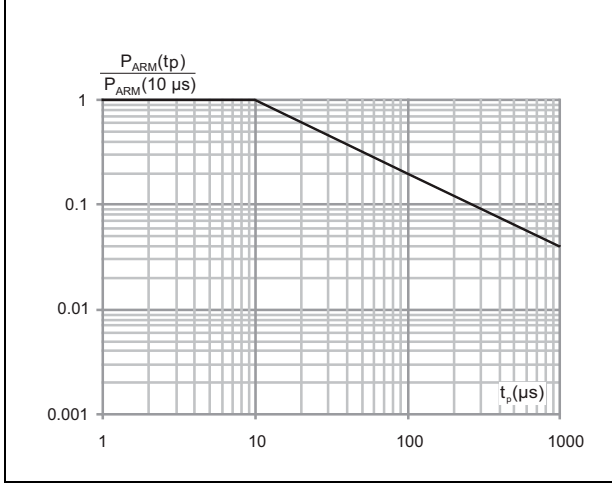


Figure 4. Relative variation of thermal impedance, junction to case, versus pulse duration

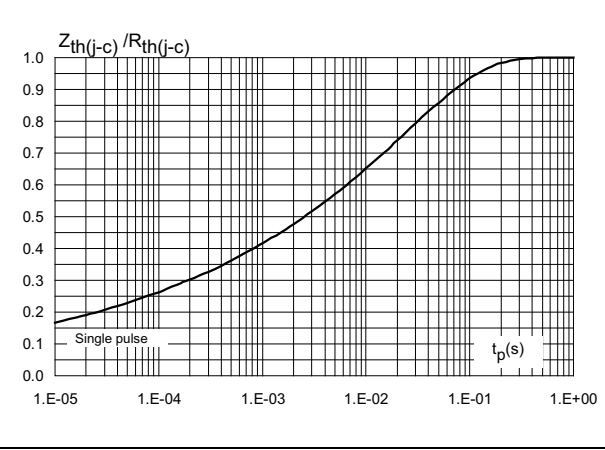


Figure 5. Reverse leakage current versus reverse reverse voltage applied (typical values)

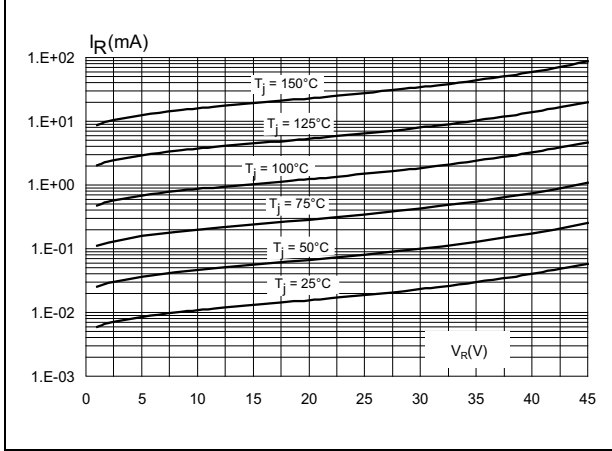


Figure 6. Junction capacitance versus reverse voltage applied (typical values)

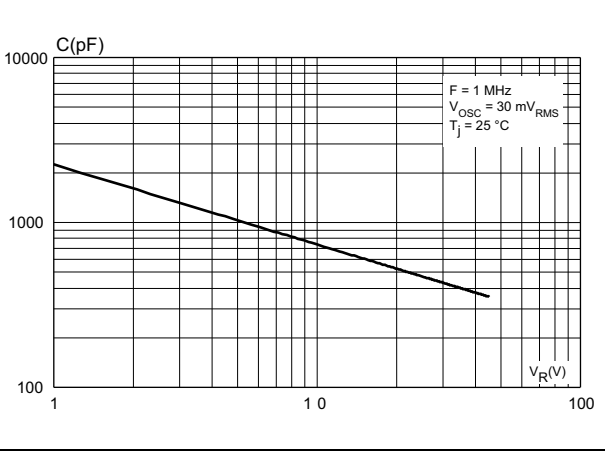


Figure 7. Forward voltage drop versus forward current

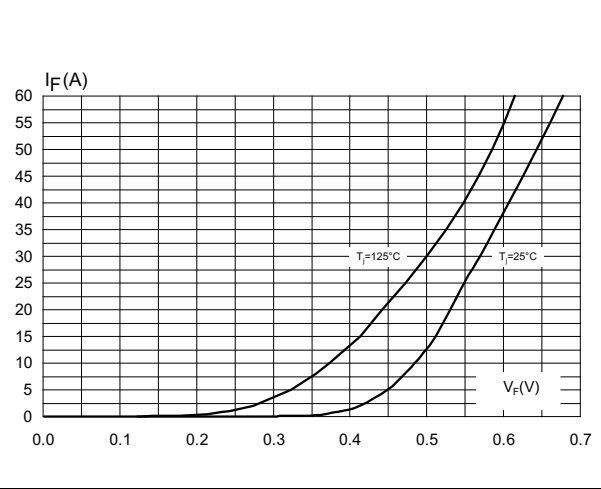
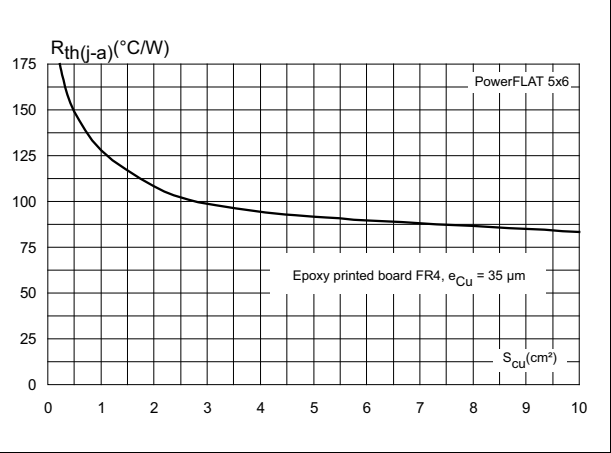


Figure 8. Thermal resistance, junction to ambient, versus copper surface under tab (typical values)



2 Package information

- Epoxy meets UL94,V0
- Lead-free package

In order to meet environmental requirements, ST offers these devices in different grades of ECOPACK® packages, depending on their level of environmental compliance. ECOPACK® specifications, grade definitions and product status are available at: www.st.com. ECOPACK® is an ST trademark.

2.1 PowerFLAT 5x6 package information

Figure 9. PowerFLAT 5x6 package outline

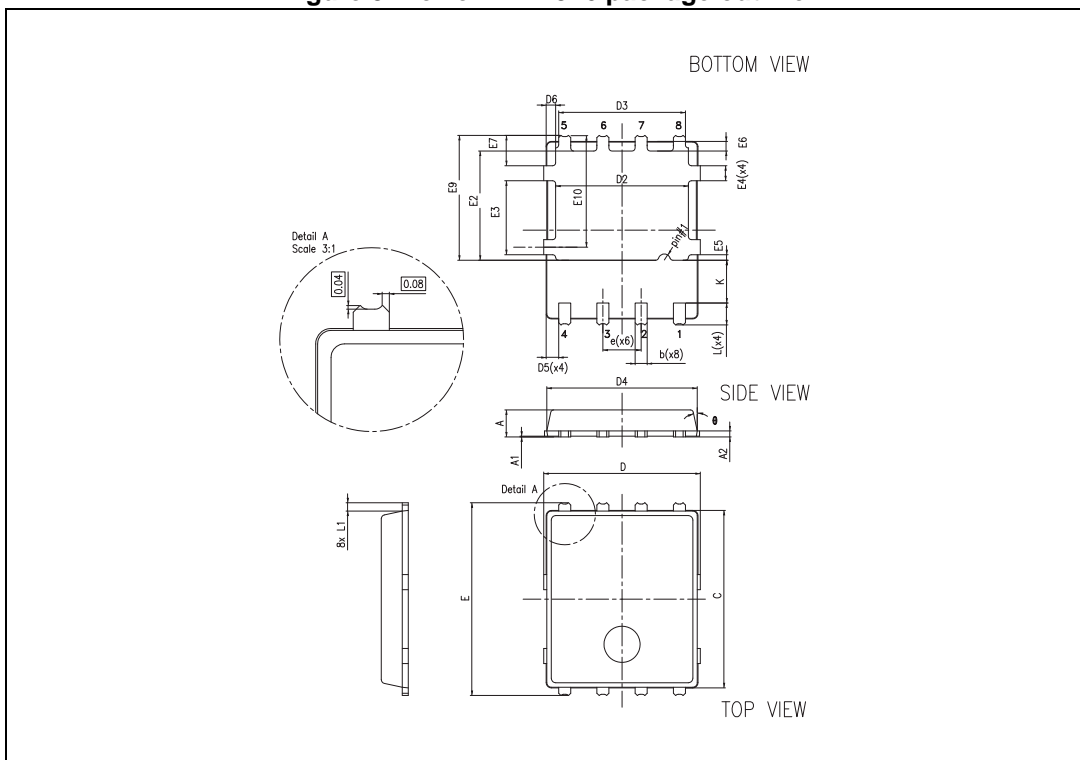


Table 5. PowerFLAT 5x6 package mechanical data

Ref.	Dimensions					
	Millimeters			Inches ⁽¹⁾		
	Typ.	Min.	Max.	Typ.	Min.	Max.
A		0.80	1.00		0.031	0.039
A1		0.02	0.05		0.0008	0.0020
A2	0.25			0.0098		
b		0.30	0.50		0.0118	0.0197
C	6.00	5.80	6.10	0.2362	0.2283	0.2402
D	5.20	5.00	5.40	0.2047	0.1969	0.2126
D2		4.15	4.45		0.1634	0.1752
D3	4.20	4.05	4.35	0.1654	0.1594	0.1713
D4	5.0	4.80	5.10	0.1969	0.1890	0.2008
D5	0.4	0.25	0.55	0.0157	0.0099	0.0217
D6	0.3	0.15	0.45	0.0118	0.0059	0.0177
e	1.27			0.05		
E	6.40	6.20	6.60	0.2520	0.2441	0.2598
E2		3.50	3.70		0.1378	0.1457
E3		2.35	2.55		0.0925	0.1004
E4		0.40	0.60		0.0157	0.0236
E5		0.08	0.28		0.0031	0.0110
E6	0.325	0.20	0.45	0.0128	0.0079	0.0177
E7	1.00	0.85	1.15	0.0394	0.0335	0.0453
E9	4.20	4.00	4.40	0.1654	0.1575	0.1732
E10	3.70	3.55	3.85	0.1457	0.1398	0.1516
K		1.275	1.575		0.0502	0.0620
L	0.825	0.725	0.925	0.0325	0.0285	0.0364
L1	0.275	0.175	0.375	0.0108	0.0069	0.0148
diam.		0	12		0	0.4724

1. Values in inches are converted from mm and rounded to 4 decimal digits.

Figure 10. Tape and reel outline

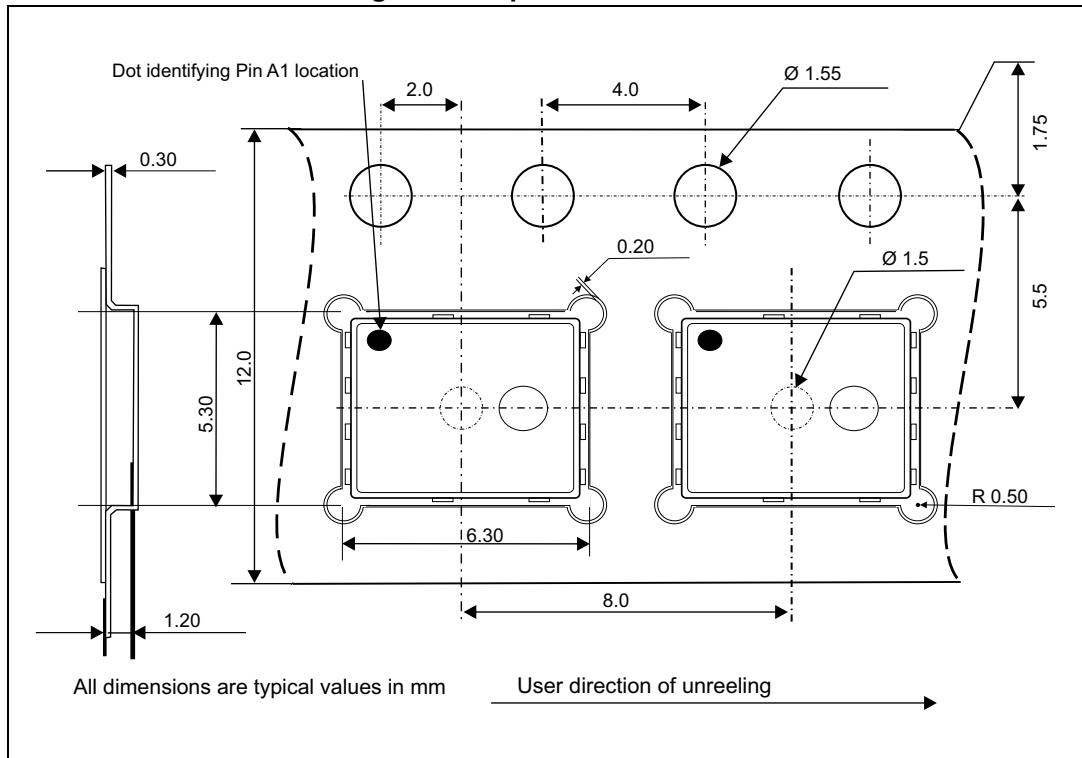
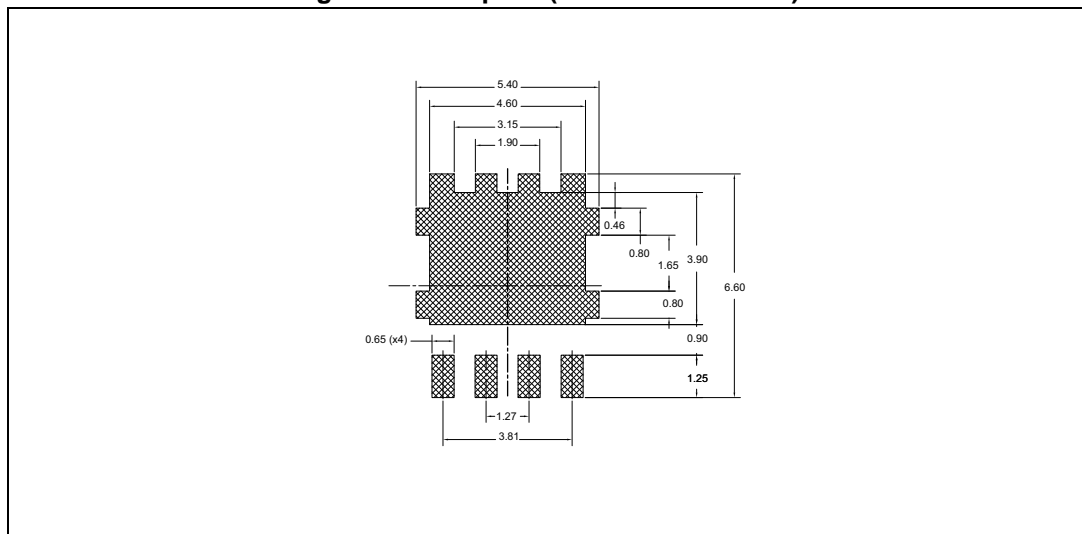


Figure 11. Footprint (dimensions in mm)



3 Ordering information

Table 6. Ordering information

Order code	Marking	Package	Weight	Base qty.	Delivery mode
STPS3045DJFY-TR	S30Y45	PowerFLAT 5x6 wetable flank	95 mg	3000	Tape and reel

4 Revision history

Table 7. Document revision history

Date	Revision	Changes
12-Jul-2016	1	Initial release.

IMPORTANT NOTICE – PLEASE READ CAREFULLY

STMicroelectronics NV and its subsidiaries ("ST") reserve the right to make changes, corrections, enhancements, modifications, and improvements to ST products and/or to this document at any time without notice. Purchasers should obtain the latest relevant information on ST products before placing orders. ST products are sold pursuant to ST's terms and conditions of sale in place at the time of order acknowledgement.

Purchasers are solely responsible for the choice, selection, and use of ST products and ST assumes no liability for application assistance or the design of Purchasers' products.

No license, express or implied, to any intellectual property right is granted by ST herein.

Resale of ST products with provisions different from the information set forth herein shall void any warranty granted by ST for such product.

ST and the ST logo are trademarks of ST. All other product or service names are the property of their respective owners.

Information in this document supersedes and replaces information previously supplied in any prior versions of this document.

© 2016 STMicroelectronics – All rights reserved