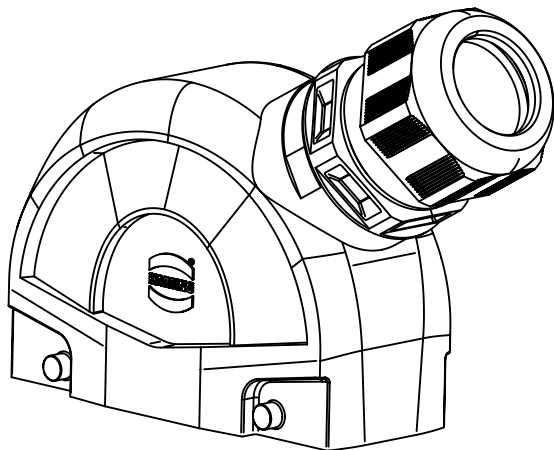
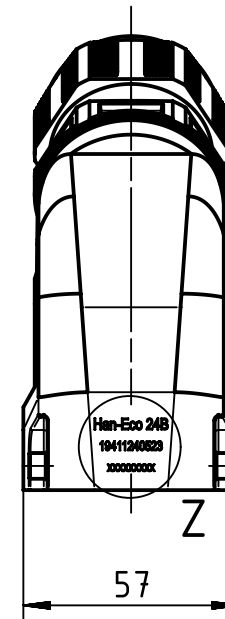
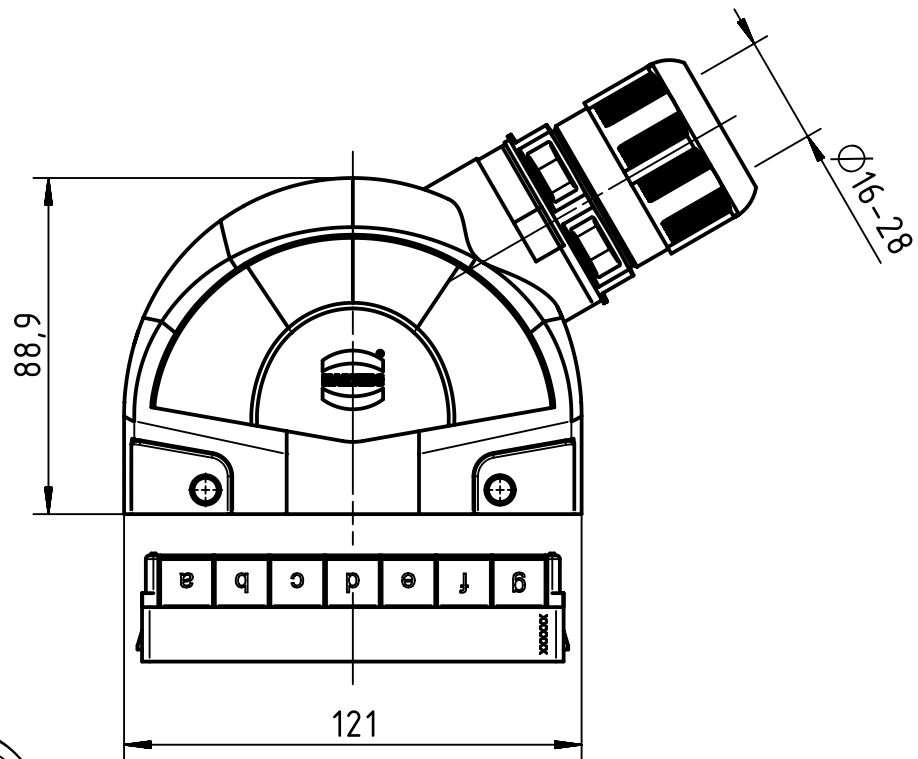
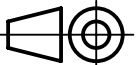



Z (1:1)

Han-Eco 24B
19411240523
xxxxxxxx



 All Dimensions in mm Original Size DIN A4	Scale	Free size tol.			Ref.
	1:2				Sub.
 All rights reserved Department EL PD - DE	Created by	Inspected by	Standardisation	Date	State
	DICK	HERBRECHTSME	TIEMANNA	2016-02-29	Final Release
HARTING Electric GmbH & Co. KG D-32339 Espelkamp	Title				Doc-Key / ECM-Nr. 100186824/UGD/008/A 500000096768
	Type	Number			
	TB	19 41 124 0523			Rev. A Page 1/1