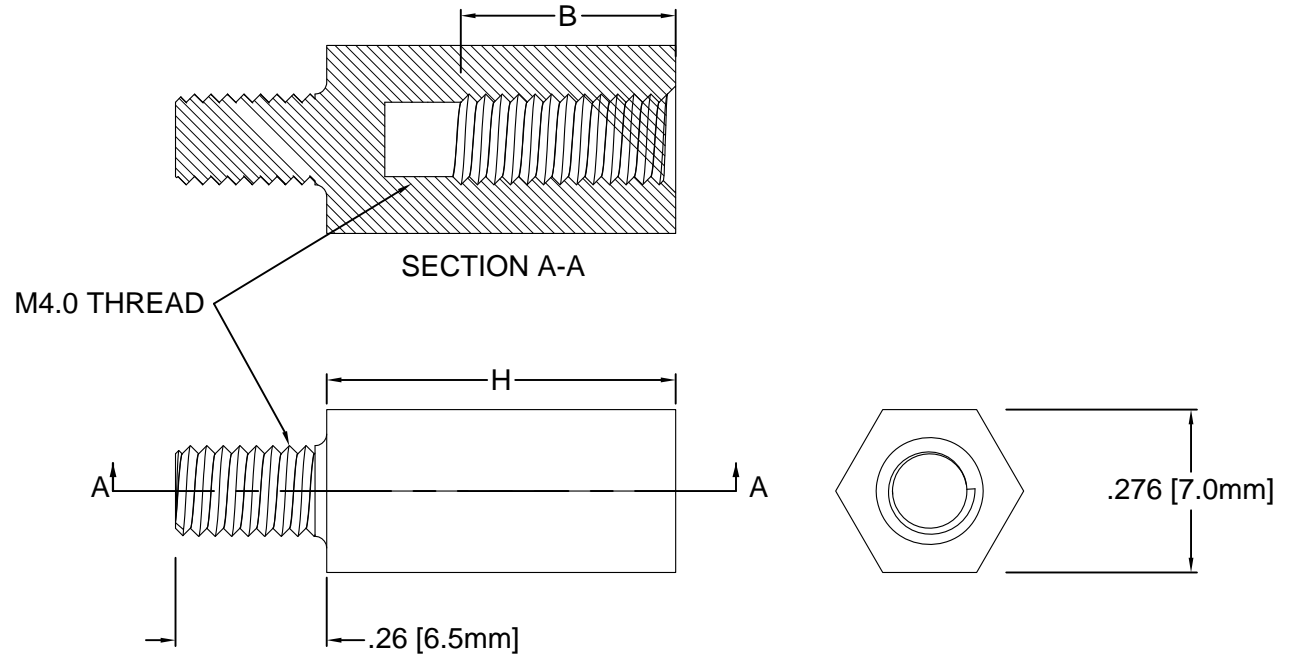
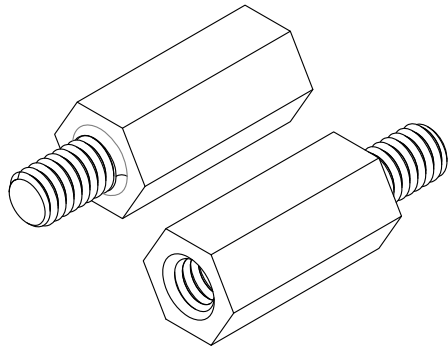



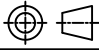
REV.	DESCRIPTION	DATE	APPROVED
A	Engineering Release	06/30/14	J. C.
B	Revised Typo	04/01/15	J. C.
C	Engineering Update w/o Changes	05/25/16	J. C.



SERIES P/N	"H" IN (MM)	"B" IN (MM)
MSB4.0-06SP	0.236 (6)	0.16 (4)
MSB4.0-08SP	0.315 (8)	0.21 (5)
MSB4.0-10SP	0.394 (10)	0.22 (6)
MSB4.0-12SP	0.472 (12)	0.23 (6)
MSB4.0-13SP	0.512 (13)	0.25 (6)
MSB4.0-14SP	0.551 (14)	0.26 (7) MIN.
MSB4.0-15SP	0.591 (15)	0.26 (7) MIN.
MSB4.0-16SP	0.630 (16)	0.26 (7) MIN.
MSB4.0-17SP	0.669 (17)	0.26 (7) MIN.
MSB4.0-19SP	0.748 (19)	0.26 (7) MIN.
MSB4.0-20SP	0.787 (20)	0.26 (7) MIN.
MSB4.0-25SP	0.984 (25)	0.26 (7) MIN.
MSB4.0-27SP	1.063 (27)	0.26 (7) MIN.
MSB4.0-30SP	1.181 (30)	0.26 (7) MIN.
MSB4.0-34SP	1.339 (34)	0.26 (7) MIN.
MSB4.0-35SP	1.378 (35)	0.26 (7) MIN.
MSB4.0-40SP	1.575 (40)	0.26 (7) MIN.

**ORDERING INFORMATION:  
MSB4.0-XXSP**

SERIES  
SCREW SIZE IN MM  
HEIGHT IN MM

STANDARD TOLERANCE (UNLESS OTHERWISE SPECIFIED)		 4 THOMAS, IRVINE, CA. 92618 TEL: (949) 951-8808 FAX: (949) 951-3974	
DECIMALS	ANGULAR		
.X ± .1	X° ± 1°	 <b>TITLE:</b> M4 BOARD-TO-BOARD SPACER	
.XX ± .01			
.XXX ± .005			
DESIGNED: <b>A. Wright</b>	DATE: <b>06/30/14</b>	<b>PART NO:</b> MSB4.0-XXSP	REVISION: <b>C</b>
CHECKED: <b>B. Oliver</b>	DATE: <b>06/30/14</b>	<b>CAGE CODE :</b> 32559	<b>SHEET #</b> 1 OF 1
CAD GENERATED DOCUMENT. DO NOT MEASURE DRAWING.			

**2. TOLERANCE "H" DIMENSION:**

0.236 - 0.786 (5.0 - 19.9mm)±0.012(0.3mm)  
 0.787 - 1.575 (20.0 - 40.0mm)±0.016(0.4mm)

**1. MATERIAL: NYLON 6/6, UL 94V-2, NATURAL.**