

5

4

3

2

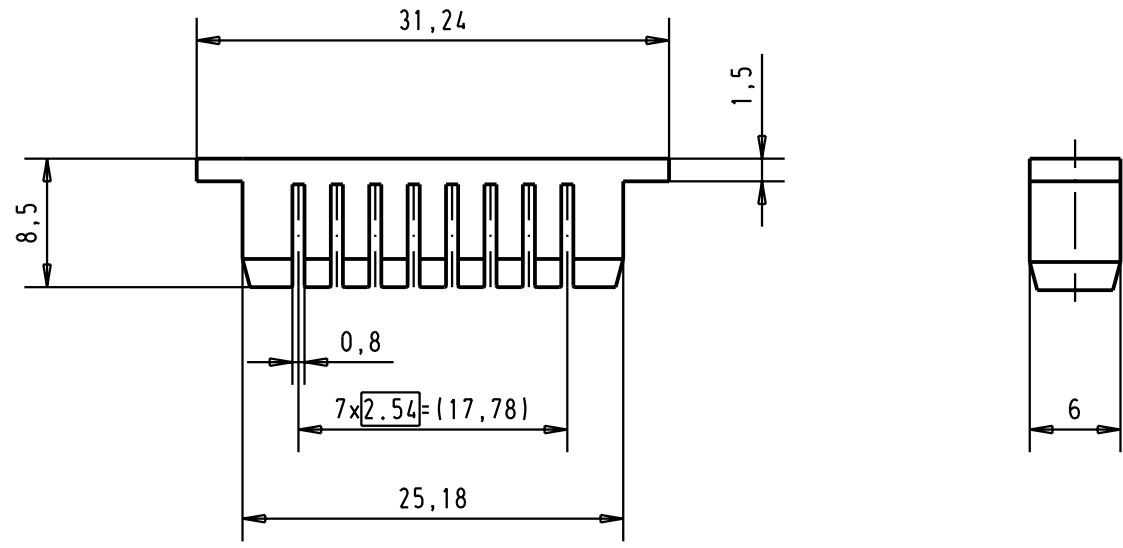
1

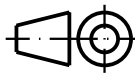

D

C

B

A



				DoI.	Name	 All Dim. in mm Orig. Size DIN A 4	SEK Modular insert 16 poles	Maßstab/ Scale
			Detail.	25-APR-02	CV			2:1
			Insp.					
			Stand.					
29778	25-APR-02	CV	HARTING EURL F-95972 Paris				TB 09990000516	Blatt/ Page 1 /
Mod.	DoI.	Name					Sub.	