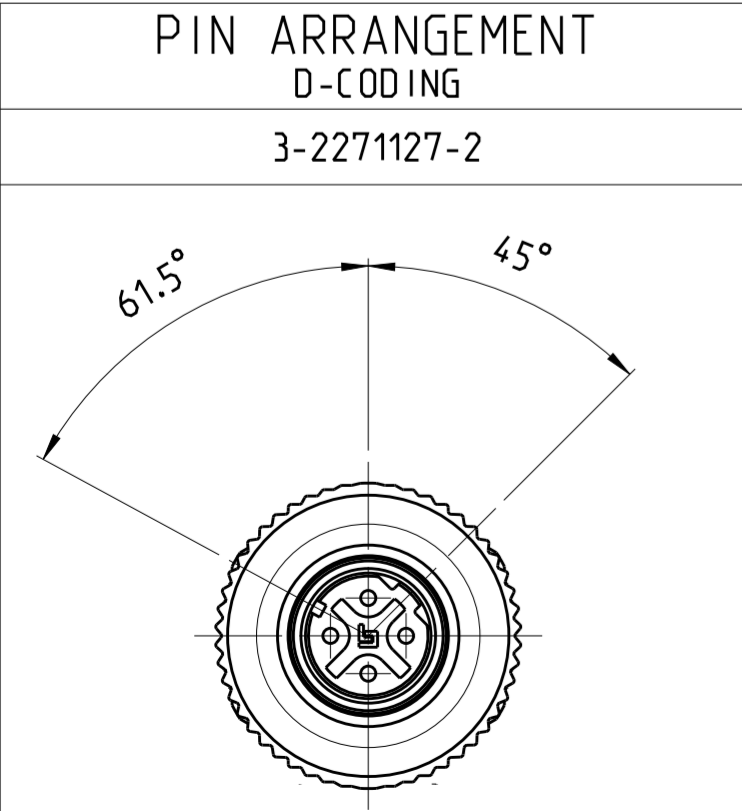
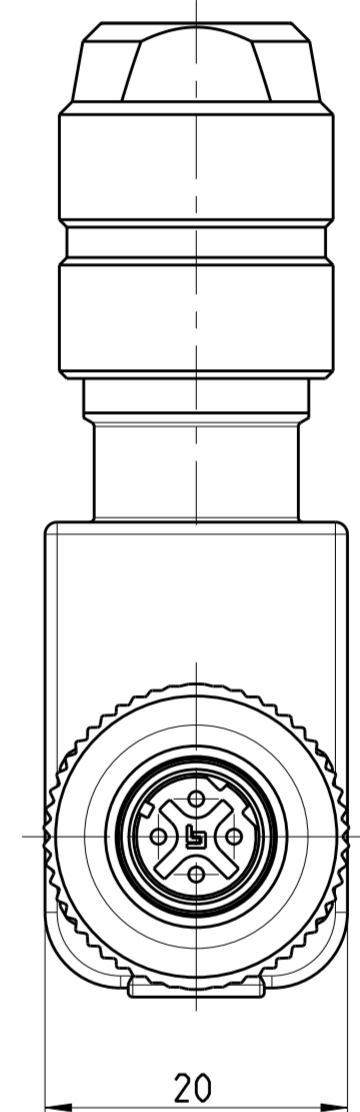
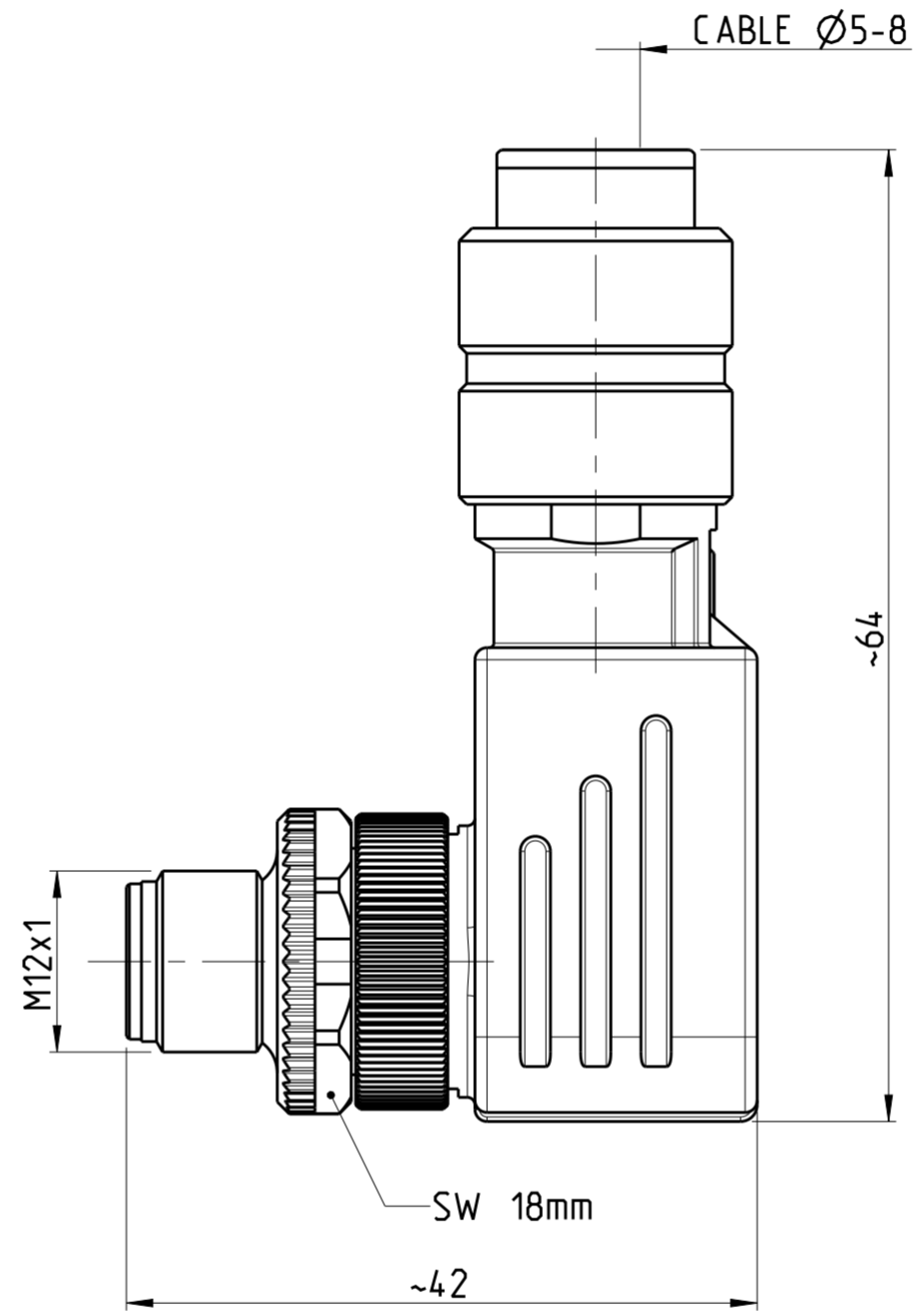
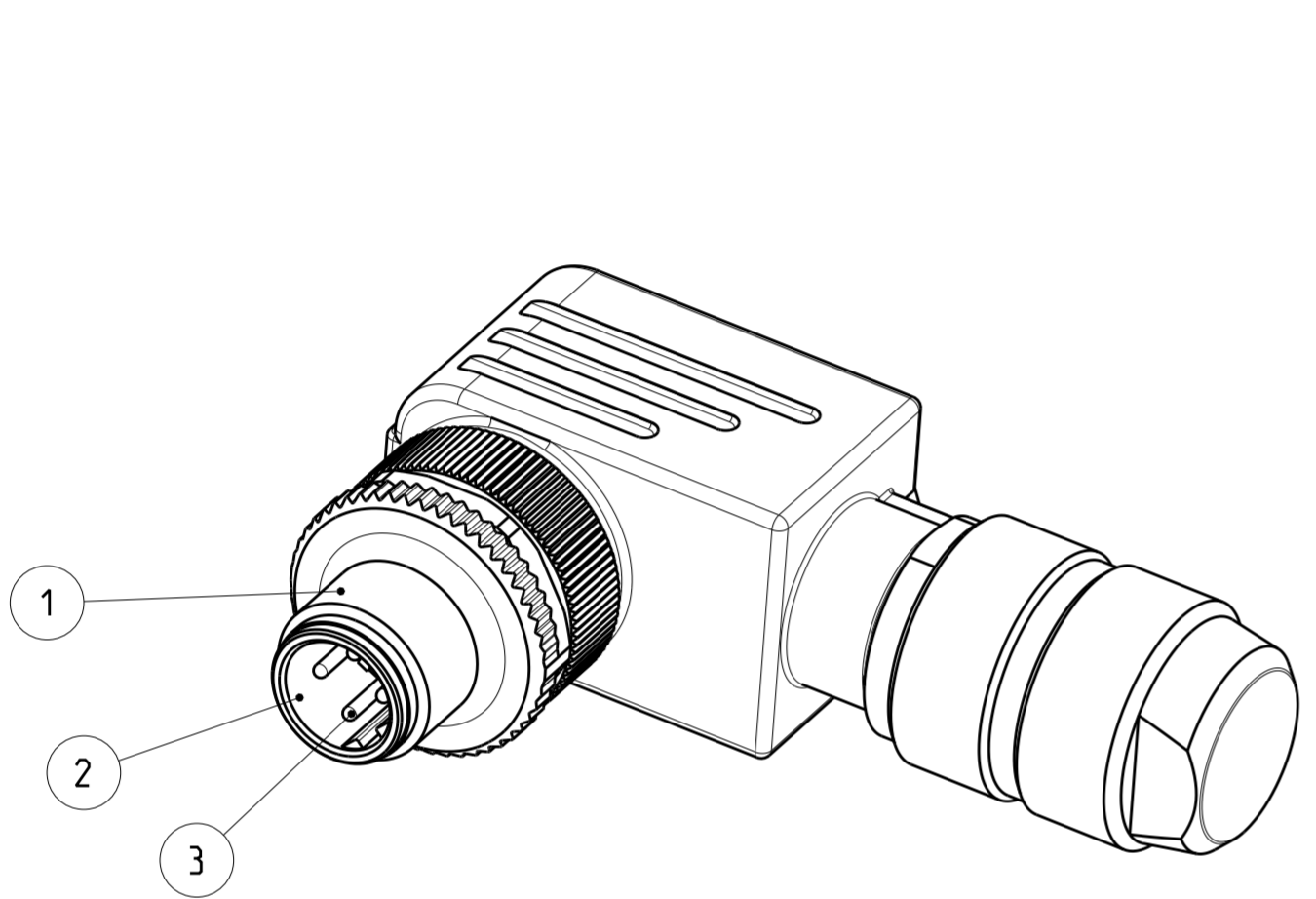


PROJECT NR.:		REVISIONS			
PRJ-14-00000805		ÄNDERUNGEN	DATE	DWN	APVD
P	LTR	DESCRIPTION			
		BESCHREIBUNG			
	A2	DESCRIPTION CORRECTED FROM SOLDER TO SCREW TERMINAL IN TITLE BLOCK	13NOV2014	CR	JK

1 MATERIAL: ITEM NO. 1: HOUSING - ZINC DIECASTING, NICKEL PLATED
 ITEM NO. 2: CONTACT BODY - PA
 ITEM NO. 3: CONTACT - CuZn (brass)
 CONTACT FINISH - Au (gold)

- 2 ALL DIMENSIONS ARE FOR NOMINAL REFERENCE ONLY UNLESS OTHERWISE STATED
- 3 MEASUREMENT REFERENCE ONLY
- 4 PACKAGING: 1 PIECE IN A BAG



TECHNICAL DATA	3-2271127-2
RATED VOLTAGE	250V
RATED IMPULSE VOLTAGE	2500V
POLLUTION DEGREE	3
OVERVOLTAGE CATEGORY	II
MATERIAL GROUP	III
RATED CURRENT	4A
VOLUME RESISTIVITY	≤ 3mΩ
DEGREE OF PROTECTION	IP67
UPPER TEMPERATURE	+85°C
LOWER TEMPERATURE	-40°C

18 / 0.75mm ²	⚠	4	3-2271127-2
WIRES AWG / mm ²	MATERIAL	NUMBER OF POLES	TE-PART-NO.

DIESE ZEICHNUNG IST EIN KONTROLLIERTES DOKUMENT. BEMASSUNGEN UND TOLERANZEN GEMAESS GPS (ISO STANDARDS).		DWN YASHKUMAR 16MAY2014
THIS DRAWING IS A CONTROLLED DOCUMENT. DIMENSIONING AND TOLERANCING PER GPS (ISO STANDARDS).		CHK M.STRELOW 16MAY2014
DIMENSIONS: MASSEINHEITEN: (MM)		APVD C.SCHREITLINGER 16MAY2014
TOLERANCES UNLESS OTHERWISE SPECIFIED: ALLGEMEINTOLERANZEN		NAME
0 PLC ±	1 PLC ±	PRODUCT SPEC
2 PLC ±	3 PLC ±	108-19483
4 PLC ±	ANGLES/WINKEL ±	APPLICATION SPEC
FINISH/OBERFLAECHE/FARBE		114-32127
MATERIAL	WEIGHT GEWICHT	Customer Drawing
		Customer Drawing

TE Connectivity		NAME	
		M12 MALE 90 DEG ANGLED FIELD INSTALLABLE, SHIELDED CONNECTOR, SCREW TERMINALS, D-CODING	
SIZE	CAGE CODE	DRAWING NO. ZEICHNUNGS-NR.	RESTRICTED TO NUR FÜR
A2	00779	G-2271127	-
SCALE MASSSTAB	2:1	SHEET BLATT	1 OF 1
/KUNDENZEICHNUNG		REV	A2

SIZE ISO 14405 (E)