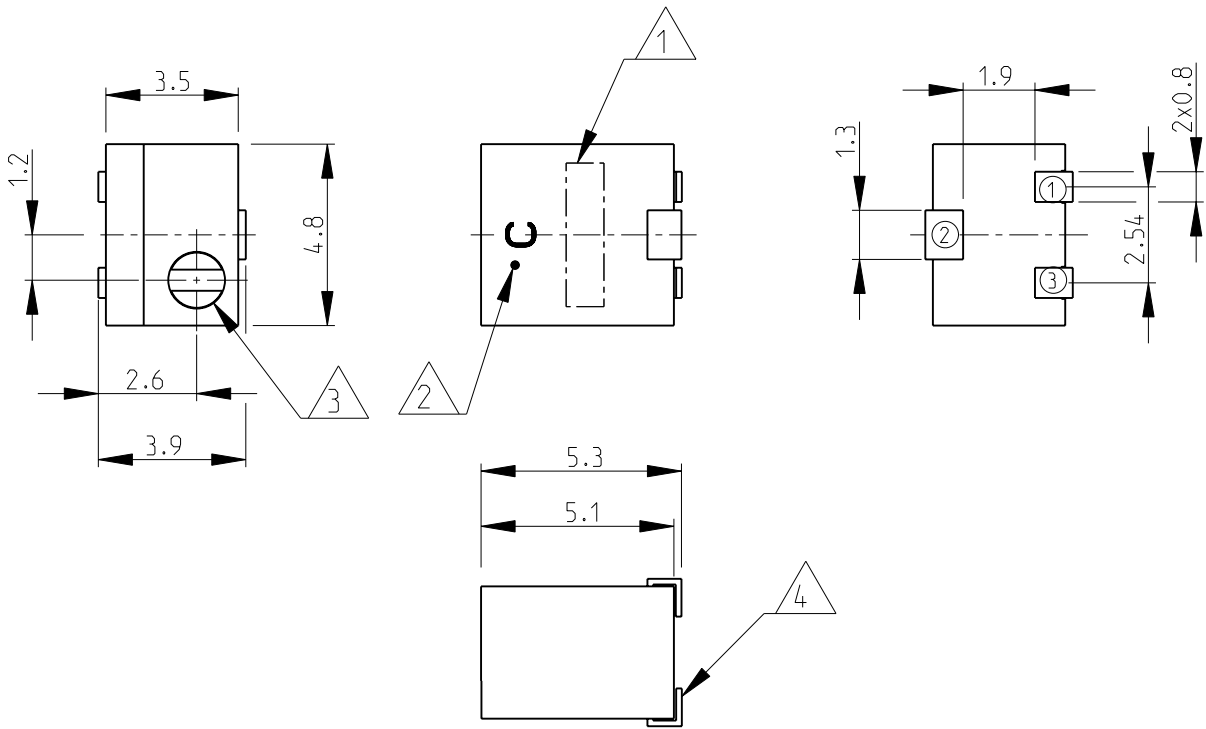


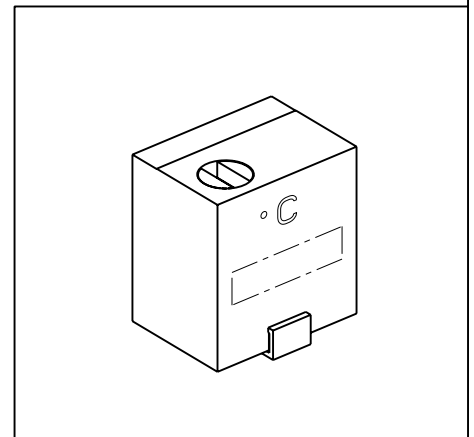
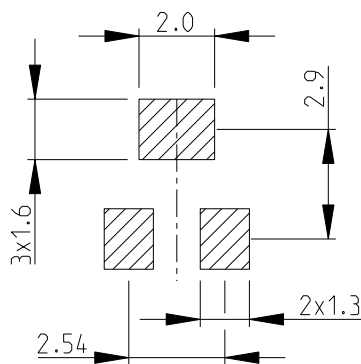
LOC	DIST	REVISIONS					
E	B	P	LTR	DESCRIPTION	DATE	DWN	APVD
			BA	NEW RELEASE	01-DEC-08	SM	St.P



- ① RESISTANCE/DATE CODE
- ② LEAD-FREE IDENTIFICATION MARK
- ③ TOP ADJUSTMENT SLOT:  
Ø1.5; WIDTH- 0.56; DEPTH- 0.5
- ④ THICKNESS- 0.15mm

5 FOR FURTHER INFORMATION SEE DATA SHEET FOR 3240 SERIES-SMD PROFESSIONAL TRIMMERS

RoHS Compliant



2008

RELEASED FOR PUBLICATION

THIS DRAWING IS UNPUBLISHED.

BY TYCO ELECTRONICS CORPORATION. ALL RIGHTS RESERVED.

DIMENSIONS: mm	DWN	01-DEC-08	MATERIAL	FINISH			
	SUBHASH.M		-	-			
TOLERANCES UNLESS OTHERWISE SPECIFIED:	CHK	01-DEC-08	Tyco Electronics Corporation Dorcan, Swindon, SN3 5HH				
	PRAKASH.S						
0 PLC ±0.2	APVD	01-DEC-08	NAME SMD PROFESSIONAL TRIMMERS SERIES 3240W				
1 PLC ±0.1	STEPHEN.P						
2 PLC ±-	PRODUCT SPEC	-	SIZE	CAGE CODE	DRAWING NO	RESTRICTED TO	
3 PLC ±-	APPLICATION SPEC	-	A 4	00779	©= 1623924	-	
4 PLC ±-			WEIGHT	0.2g Approx.			
ANGLES ±5°			CUSTOMER DRAWING		SCALE	SHEET 1 OF 1	REV BA