

Description

The 9FGL02 devices are 3.3V members of IDT's 3.3V Full-Featured PCIe family. The devices have 2 output enables for clock management and support 2 different spread spectrum levels in addition to spread off. The 9FGL02 supports PCIe Gen1-4 Common Clocked architectures (CC) and PCIe Separate Reference no-Spread (SRnS) and Separate Reference Independent Spread (SRIS) clocking architectures. The 9FGL02P1 can be programmed with a user-defined power up default SMBus configuration.

Recommended Application

PCIe Gen1-4 clock generation for Riser Cards, Storage, Networking, JBOD, Communications, Access Points

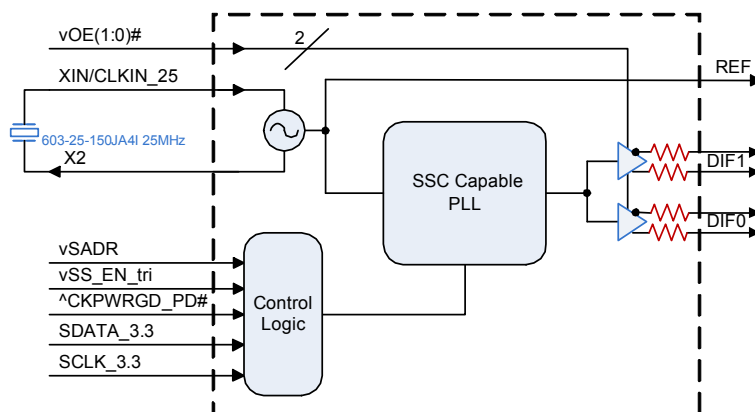
Output Features

- 2 – 100 MHz Low-Power HCSL (LP-HCSL) DIF pairs
 - 9FGL0241 default Z_{OUT} = 100Ω
 - 9FGL0251 default Z_{OUT} = 85Ω
 - 9FGL02P1 factory programmable defaults
- 1 - 3.3V LVCMOS REF output w/Wake-On-LAN (WOL) support
- Easy AC-coupling to other logic families, see IDT application note [AN-891](#)

Key Specifications

- PCIe Gen1-2-3-4 CC-compliant
- PCIe Gen2-3 SRIS-compliant
- DIF cycle-to-cycle jitter <50ps
- DIF output-to-output skew <50ps
- DIF 12k-20M phase jitter is <2ps rms when SSC is off
- REF phase jitter is <300fs rms (SSC off) and < 1.5ps RMS (SSC on)
- ±100ppm frequency accuracy on all clocks

Block Diagram

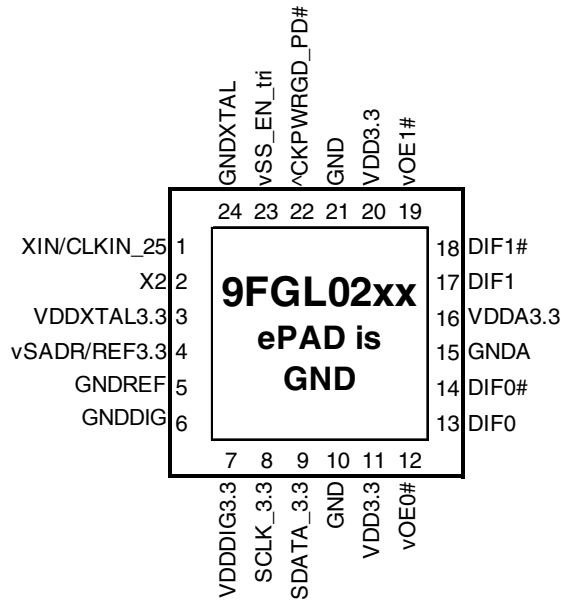


Features/Benefits

- Direct connection to 100Ω (xx41) or 85Ω (xx51) transmission lines; saves 8 resistors compared to standard PCIe devices
- 112mW typical power consumption (@3.3V); eliminates thermal concerns
- SMBus-selectable features allows optimization to customer requirements:
 - control input polarity
 - control input pull up/downs
 - slew rate for each output
 - 33, 85 or 100Ω output impedance for each output
 - spread spectrum amount
 - input frequency
- 41 and 51 devices contain default configuration; SMBus interface not required for device operation
- P1 device allows factory programming of customer-defined input/output frequencies and SMBus power up default; allows exact optimization to customer requirements
- OE# pins; support DIF power management
- 8MHz - 40MHz input frequency with 9FGL02P1 device (25MHz default); flexibility
- Pin/SMBus selectable 0%, -0.25% or -0.5% spread on DIF outputs; minimize EMI and phase jitter for each application
- DIF outputs blocked until PLL is locked; clean system start-up
- Two selectable SMBus addresses; multiple devices can easily share an SMBus segment
- Space saving 24-pin 4x4mm VFQFPN; minimal board space

Note: Resistors default to internal on 41/51 devices. P1 devices have programmable default impedances on an output-by-output basis.

Pin Configuration



24-pin VFQFPN, 4x4 mm, 0.5mm pitch

^ prefix indicates internal 120KOhm pull up resistor
v prefix indicates internal 120KOhm pull down resistor

SMBus Address Selection Table

	SADR	Address	+ Read/Write Bit
State of SADR on first application of CKPWRGD_PD#	0	1101000	x
	1	1101010	x

Power Management Table

CKPWRGD_PD#	SMBus OE bit	DIF		REF
		True O/P	Comp. O/P	
0	X	Low ¹	Low ¹	Hi-Z ²
1	1	Running	Running	Running
1	1	Disabled ¹	Disabled ¹	Running
1	0	Disabled ¹	Disabled ¹	Disabled ⁴

- The output state is set by B11[1:0] (Low/Low default)
- REF is Hi-Z until the 1st assertion of CKPWRGD_PD# high. After this, when CKPWRGD_PD# is low, REF is disabled unless Byte3[5]=1, in which case REF is running..
- Input polarities defined at default values for 9FGLxx41/xx51.
- See SMBus description for Byte 3, bit 4

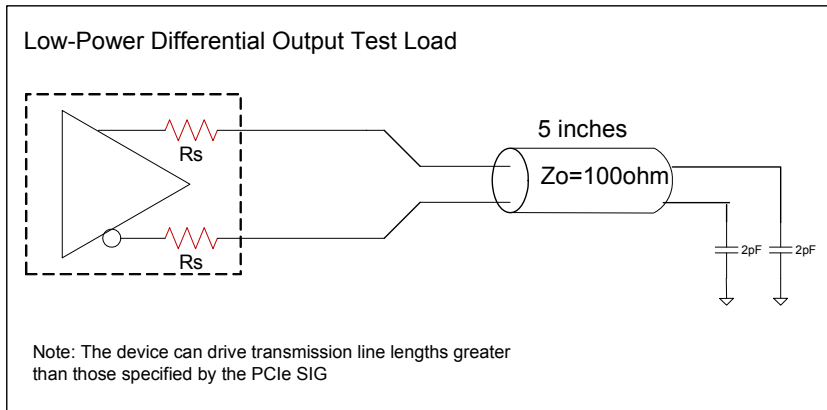
Power Connections

Pin Number		Description
VDD	GND	
3	5,24	XTAL, REF
7	6	Digital Power
11,20	10,21,25	DIF outputs
16	15	PLL Analog

Pin Descriptions

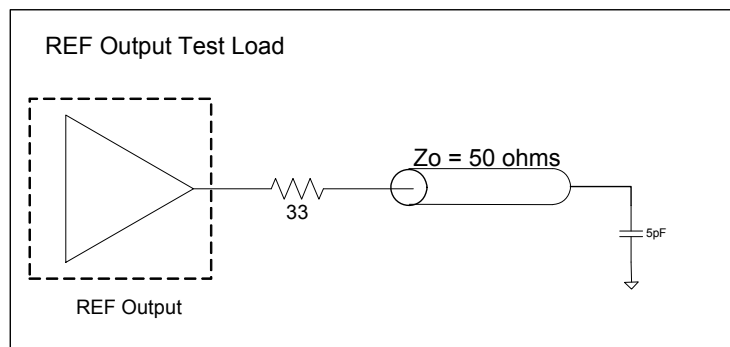
Pin#	Pin Name	Type	Pin Description
1	XIN/CLKIN_25	IN	Crystal input or Reference Clock input. Nominally 25MHz.
2	X2	OUT	Crystal output.
3	VDDXTAL3.3	PWR	Power supply for XTAL, nominal 3.3V
4	vSADR/REF3.3	LATCHED I/O	Latch to select SMBus Address/3.3V LVCMOS copy of X1/REFIN pin
5	GNDREF	GND	Ground pin for the REF outputs.
6	GNDDIG	GND	Ground pin for digital circuitry
7	VDDDIG3.3	PWR	3.3V digital power (dirty power)
8	SCLK_3.3	IN	Clock pin of SMBus circuitry, 3.3V tolerant.
9	SDATA_3.3	I/O	Data pin for SMBus circuitry, 3.3V tolerant.
10	GND	GND	Ground pin.
11	VDD3.3	PWR	Power supply, nominal 3.3V
12	vOE0#	IN	Active low input for enabling DIF pair 0. This pin has an internal pull-down. 1 =disable outputs, 0 = enable outputs
13	DIF0	OUT	Differential true clock output
14	DIF0#	OUT	Differential Complementary clock output
15	GND	GND	Ground pin for the PLL core.
16	VDDA3.3	PWR	3.3V power for the PLL core.
17	DIF1	OUT	Differential true clock output
18	DIF1#	OUT	Differential Complementary clock output
19	vOE1#	IN	Active low input for enabling DIF pair 1. This pin has an internal pull-down. 1 =disable outputs, 0 = enable outputs
20	VDD3.3	PWR	Power supply, nominal 3.3V
21	GND	GND	Ground pin.
22	^CKPWRGD_PD	IN	Input notifies device to sample latched inputs and start up on first high assertion. Low enters Power Down Mode, subsequent high assertions exit Power Down Mode. This pin has internal pull-up resistor.
23	vSS_EN_tri	LATCHED IN	Latched select input to select spread spectrum amount at initial power up : 1 = -0.5% spread, M = -0.25%, 0 = Spread Off
24	GNDXTAL	GND	GND for XTAL
25	ePAD	GND	Connect to ground

Test Loads



Terminations

Device	Zo (Ω)	Rs (Ω)
9FGL0241	100	None needed
9FGL0251	100	7.5
9FGL02P1	100	Prog.
9FGL0241	85	N/A
9FGL0251	85	None needed
9FGL02P1	85	Prog.



Alternate Terminations

The 9FGL family can easily drive LVPECL, LVDS, and CML logic. See [“AN-891 Driving LVPECL, LVDS, and CML Logic with IDT's "Universal" Low-Power HCSL Outputs”](#) for details.

Absolute Maximum Ratings

Stresses above the ratings listed below can cause permanent damage to the 9FGL02. These ratings, which are standard values for IDT commercially rated parts, are stress ratings only. Functional operation of the device at these or any other conditions above those indicated in the operational sections of the specifications is not implied. Exposure to absolute maximum rating conditions for extended periods can affect product reliability. Electrical parameters are guaranteed only over the recommended operating temperature range.

PARAMETER	SYMBOL	CONDITIONS	MIN	TYP	MAX	UNITS	NOTES
Supply Voltage	VDDx		-0.5		4.6	V	1,2
Input Voltage	V _{IN}		-0.5		V _{DD} +0.5	V	1,3
Input High Voltage, SMBus	V _{IHSMB}	SMBus clock and data pins			3.9	V	1
Storage Temperature	T _s		-65		150	°C	1
Junction Temperature	T _j				125	°C	1
Input ESD protection	ESD prot	Human Body Model	2500			V	1

¹Guaranteed by design and characterization, not 100% tested in production.

²Operation under these conditions is neither implied nor guaranteed.

³Not to exceed 4.6V.

Electrical Characteristics–SMBus Parameters

T_A = T_{AMB}; Supply Voltages per normal operation conditions, See Test Loads for Loading Conditions

PARAMETER	SYMBOL	CONDITIONS	MIN	TYP	MAX	UNITS	NOTES
SMBus Input Low Voltage	V _{ILSMB}	V _{DD} SMB = 3.3V			0.8	V	
SMBus Input High Voltage	V _{IHSMB}	V _{DD} SMB = 3.3V	2.1		3.6	V	
SMBus Output Low Voltage	V _{OLSMB}	@ I _{PULLUP}			0.4	V	
SMBus Sink Current	I _{PULLUP}	@ V _{OL}	4			mA	
Nominal Bus Voltage	V _{DD} SMB		2.7		3.6	V	
SCLK/SDATA Rise Time	t _{RSMB}	(Max V _{IL} - 0.15) to (Min V _{IH} + 0.15)			1000	ns	1
SCLK/SDATA Fall Time	t _{FSMB}	(Min V _{IH} + 0.15) to (Max V _{IL} - 0.15)			300	ns	1
SMBus Operating Frequency	f _{SMB}	SMBus operating frequency			500	kHz	2

¹Guaranteed by design and characterization, not 100% tested in production.

²The device must be powered up for the SMBus to function.

Electrical Characteristics–Input/Supply/Common Parameters–Normal Operating Conditions

$T_A = T_{AMB}$; Supply Voltages per normal operation conditions, See Test Loads for Loading Conditions

PARAMETER	SYMBOL	CONDITIONS	MIN	TYP	MAX	UNITS	NOTES
Supply Voltage	VDD _{xxx}	Supply voltage for core, analog and single-ended LVCMOS outputs.	3.135	3.3	3.465	V	
Ambient Operating Temperature	T_{AMB}	Commercial range	0	25	70	°C	
		Industrial range	-40	25	85	°C	
Input High Voltage	V_{IH}	Single-ended inputs, except SMBus	0.75 V_{DDx}		$V_{DDx} + 0.3$	V	
Input Low Voltage	V_{IL}		-0.3		0.25 V_{DDx}	V	
Input High Voltage	V_{IHtri}	Single-ended tri-level inputs ('_tri' suffix)	0.75 V_{DDx}		$V_{DD} + 0.3$	V	
Input Mid Voltage	V_{IMtri}		0.4 V_{DDx}	0.5 V_{DDx}	0.6 V_{DDx}	V	
Input Low Voltage	V_{ILtri}		-0.3		0.25 V_{DDx}	V	
Input Current	I_{IN}		Single-ended inputs, $V_{IN} = GND$, $V_{IN} = VDD$	-5		5	uA
Input Current	I_{INP}	Single-ended inputs $V_{IN} = 0 V$; Inputs with internal pull-up resistors $V_{IN} = VDD$; Inputs with internal pull-down resistors	-50		50	uA	
Input Frequency	F_{in}	XTAL, or X1 input	8	25	40	MHz	4
Pin Inductance	L_{pin}				7	nH	1
Capacitance	C_{IN}	Logic Inputs, except DIF_IN	1.5		5	pF	1
	C_{OUT}	Output pin capacitance			6	pF	1
Clk Stabilization	T_{STAB}	From V_{DD} Power-Up and after input clock stabilization or de-assertion of PD# to 1st clock		0.34	1.8	ms	1,2
SS Modulation Frequency	f_{MOD}	Allowable Frequency (Triangular Modulation)	30	31.6	33	kHz	1
OE# Latency	$t_{LATO\#}$	DIF start after OE# assertion DIF stop after OE# deassertion	1		3	clocks	1,3
Tdrive_PD#	t_{DRVPD}	DIF output enable after PD# de-assertion		28	300	us	1,3
Tfall	t_F	Fall time of single-ended control inputs			5	ns	1,2
Trise	t_R	Rise time of single-ended control inputs			5	ns	1,2

¹ Guaranteed by design and characterization, not 100% tested in production.

² Control input must be monotonic from 20% to 80% of input swing.

³ Time from deassertion until outputs are >200 mV

⁴ The 9FGLxxP1 devices can be programmed for various input frequencies from 8 to 40MHz. The 9FGLxx41/51 devices use 25MHz.

Electrical Characteristics–DIF Low-Power HCSL Outputs

TA = T_{AMB}; Supply Voltages per normal operation conditions, See Test Loads for Loading Conditions

PARAMETER	SYMBOL	CONDITIONS	MIN	TYP	MAX	UNITS	NOTES
Slew rate	Trf	Scope averaging on, fast setting	1.9	2.7	4	V/ns	2,3
		Scope averaging, slow setting	1	2.0	3	V/ns	2,3
Crossing Voltage (abs)	V _{cross_abs}	Scope averaging off	250	405	550	mV	1,4,5
Crossing Voltage (var)	Δ-V _{cross}	Scope averaging off		14	140	mV	1,4,9
Avg. Clock Period Accuracy	T _{PERIOD_AVG}		-100	0	+2600	ppm	2,10,13
Absolute Period	T _{PERIOD_ABS}	Includes jitter and Spread Spectrum Modulation	9.847	10	10.203	ns	2,6
Jitter, Cycle to cycle	t _{cyC-cyc}			37	50	ps	2,15
Voltage High	V _{HIGH}		660	766	850	mV	1
Voltage Low	V _{LOW}		-150	21	150		1
Absolute Max Voltage	V _{max}			797	1150	mV	1,7,15
Absolute Min Voltage	V _{min}		-300	-22			1,8,15
Duty Cycle	t _{DC}		45	49.4	55	%	2
Slew rate matching	ΔTrf			8	20	%	1,14
Skew, Output to Output	t _{sk3}	Averaging on, V _T = 50%		21	50	ps	2

¹ Measured from single-ended waveform.

² Measured from differential waveform.

³ Measured from -150 mV to +150 mV on the differential waveform (derived from REFCLK+ minus REFCLK-). The signal must be monotonic through the measurement region for rise and fall time. The 300 mV measurement window is centered on the differential zero crossing.

⁴ Measured at crossing point where the instantaneous voltage value of the rising edge of REFCLK+ equals the falling edge of REFCLK-.

⁵ Refers to the total variation from the lowest crossing point to the highest, regardless of which edge is crossing. Refers to all crossing points for this measurement.

⁶ Defines as the absolute minimum or maximum instantaneous period. This includes cycle to cycle jitter, relative PPM tolerance, and spread spectrum modulation.

⁷ Defined as the maximum instantaneous voltage including overshoot.

⁸ Defined as the minimum instantaneous voltage including undershoot.

⁹ Defined as the total variation of all crossing voltages of Rising REFCLK+ and Falling REFCLK-. This is the maximum allowed variance in V_{CROSS} for any particular system.

¹⁰ Refer to Section 4.3.7.1.1 of the PCI Express Base Specification, Revision 3.0 for information regarding PPM considerations.

¹¹ System board compliance measurements must use the test load. REFCLK+ and REFCLK- are to be measured at the load capacitors CL. Single ended probes must be used for measurements requiring single ended measurements. Either single ended probes with math or differential probe can be used for differential measurements. Test load CL = 2 pF.

¹² T_{STABLE} is the time the differential clock must maintain a minimum ±150 mV differential voltage after rising/falling edges before it is allowed to droop back into the VRB ±100 mV differential range.

¹³ PPM refers to parts per million and is a DC absolute period accuracy specification. 1 PPM is 1/1,000,000th of 100.000000 MHz exactly or 100 Hz. For 300 PPM, then we have an error budget of 100 Hz/PPM * 300 PPM = 30 kHz. The period is to be measured with a frequency counter with measurement window set to 100 ms or greater. The ±300 PPM applies to systems that do not employ Spread Spectrum Clocking, or that use common clock source. For systems employing Spread Spectrum Clocking, there is an additional 2,500 PPM nominal shift in maximum period resulting from the 0.5% down spread resulting in a maximum average period specification of +2,800 PPM.

¹⁴ Matching applies to rising edge rate for REFCLK+ and falling edge rate for REFCLK-. It is measured using a ±75 mV window centered on the median cross point where REFCLK+ rising meets REFCLK- falling. The median cross point is used to calculate the voltage thresholds the oscilloscope is to use for the edge rate calculations. The Rise Edge Rate of REFCLK+ should be compared to the Fall Edge Rate of REFCLK-; the maximum allowed difference should not exceed 20% of the slowest edge rate.

¹⁵ At default SMBus amplitude settings.

Electrical Characteristics—Filtered Phase Jitter Parameters - PCIe Common Clocked (CC) Architectures

T_{AMB} = over the specified operating range. Supply Voltages per normal operation conditions, See Test Loads for Loading Conditions

PARAMETER	SYMBOL	CONDITIONS	MIN	TYP	MAX	INDUSTRY LIMIT	UNITS	Notes
Phase Jitter	$t_{jphPCIeG1-CC}$	PCIe Gen 1		20	25	86	ps (p-p)	1,2,3
	$t_{jphPCIeG2-CC}$	PCIe Gen 2 Lo Band 10kHz < f < 1.5MHz (PLL BW of 5-16MHz or 8-5MHz, CDR = 5MHz)		0.5	0.6	3	ps (rms)	1,2
		PCIe Gen 2 High Band 1.5MHz < f < Nyquist (50MHz) (PLL BW of 5-16MHz or 8-5MHz, CDR = 5MHz)		1.3	1.6	3.1	ps (rms)	1,2
	$t_{jphPCIeG3-CC}$	PCIe Gen 3 (PLL BW of 2-4MHz or 2-5MHz, CDR = 10MHz)		0.36	0.50	1	ps (rms)	1,2
	$t_{jphPCIeG4-CC}$	PCIe Gen 4 (PLL BW of 2-4MHz or 2-5MHz, CDR = 10MHz)		0.36	0.50	0.5	ps (rms)	1,2

¹ Applies to all outputs.

² Based on PCIe Base Specification Rev4.0 version 0.7draft. See <http://www.pcisig.com> for latest specifications.

³ Sample size of at least 100K cycles. This figures extrapolates to 108ps pk-pk @ 1M cycles for a BER of 1-12.

Electrical Characteristics—Filtered Phase Jitter Parameters - PCIe Separate Reference Independent Spread (SRIS) Architectures³

T_{AMB} = over the specified operating range. Supply Voltages per normal operation conditions, See Test Loads for Loading Conditions

PARAMETER	SYMBOL	CONDITIONS	MIN	TYP	MAX	INDUSTRY LIMIT	UNITS	Notes
Phase Jitter, PLL Mode	$t_{jphPCIeG2-SRIS}$	PCIe Gen 2 (PLL BW of 16MHz, CDR = 5MHz)		0.7	1.1	2	ps (rms)	1,2
	$t_{jphPCIeG3-SRIS}$	PCIe Gen 3 (PLL BW of 2-4MHz or 2-5MHz, CDR = 10MHz)		0.5	0.65	0.7	ps (rms)	1,2

¹ Applies to all outputs.

² Based on PCIe Base Specification Rev3.1a. These filters are different than Common Clock filters. See <http://www.pcisig.com> for latest specifications. There is a proposal to reduce the PCIe Gen3 limit to 0.5ps.

³ As of PCIe Base Specification Rev4.0 draft 0.7, SRIS is not currently defined for Gen1 or Gen4.

Electrical Characteristics—DIF LP-HCSL Output Unfiltered Phase Jitter Parameters

$T_A = T_{AMB}$: Supply Voltages per normal operation conditions, See Test Loads for Loading Conditions

PARAMETER	SYMBOL	CONDITIONS	MIN	TYP	MAX	INDUSTRY LIMIT	UNITS
Phase Jitter, 12k-20M	$t_{jph12k20M}$	100MHz outputs with REF output enabled SSC Off		1.5	2	N/A	ps (rms)

Electrical Characteristics–Current Consumption

TA = T_{AMB}; Supply Voltages per normal operation conditions, See Test Loads for Loading Conditions

PARAMETER	SYMBOL	CONDITIONS	MIN	TYP	MAX	UNITS	NOTES
Operating Supply Current	I _{DDAOP}	VDDA, All outputs active @100MHz		13	16	mA	
	I _{DDOP}	All VDD, except VDDA, All outputs active @100MHz		21	30	mA	
Wake-on-LAN Current (Power down state and Byte 3, bit 5 = '1')	I _{DDAPD}	VDDA, DIF outputs off, REF output running		0.7	1.5	mA	1
	I _{DDPD}	All VDD, except VDDA, DIF outputs off, REF output running		8.8	14	mA	1
Powerdown Current (Power down state and Byte 3, bit 5 = '0')	I _{DDAPD}	VDDA, all outputs off		0.7	1.5	mA	
	I _{DDPD}	All VDD, except VDDA, all outputs off		4.7	8	mA	

¹ This is the current required to have the REF output running in Wake-on-LAN mode (Byte 3, bit 5 = 1)

Electrical Characteristics– REF

TA = T_{AMB}; Supply Voltages per normal operation conditions, See Test Loads for Loading Conditions

PARAMETER	SYMBOL	CONDITIONS	MIN	TYP	MAX	UNITS	Notes
Long Accuracy	ppm	see Tperiod min-max values	0			ppm	1,2
Clock period	T _{period}	REF output	40			ns	2
High output Voltage	V _{HIGH}	I _{OH} = -2mA	0.8xV _{DDREF}			V	
Low output Voltage	V _{LOW}	I _{OL} = 2mA			0.2xV _{DDREF}	V	
Rise/Fall Slew Rate	t _{rf1}	Byte 3 = 1F, V _{OH} = 0.8*VDD, V _{OL} = 0.2*VDD	0.5	0.9	1.2	V/ns	1
	t _{rf1}	Byte 3 = 5F, V _{OH} = 0.8*VDD, V _{OL} = 0.2*VDD	1.0	1.5	2.0	V/ns	1,3
	t _{rf1}	Byte 3 = 9F, V _{OH} = 0.8*VDD, V _{OL} = 0.2*VDD	1.5	2.2	2.6	V/ns	1
	t _{rf1}	Byte 3 = DF, V _{OH} = 0.8*VDD, V _{OL} = 0.2*VDD	2.0	2.9	3.2	V/ns	1
Duty Cycle	d _{t1X}	V _T = VDD/2 V	45	50.2	55	%	1,4
Duty Cycle Distortion	d _{tcd}	V _T = VDD/2 V	-1	0	0	%	1,5
Jitter, cycle to cycle	t _{jcy-cyc}	V _T = VDD/2 V		70	150	ps	1,4
Noise floor	t _{jdBc1k}	1kHz offset		-145	-135	dBc	1,4
	t _{jdBc10k}	10kHz offset to Nyquist		-150	-140	dBc	1,4
Jitter, phase	t _{jphREF}	12kHz to 5MHz, DIF SSC Off		0.13	0.3	ps (rms)	1,4
	t _{jphREF}	12kHz to 5MHz, DIF SSC On		1.5	2	ps (rms)	1,4

¹Guaranteed by design and characterization, not 100% tested in production.

² All Long Term Accuracy and Clock Period specifications are guaranteed assuming that REF is trimmed to 25.00 MHz

³ Default SMBus Value

⁴ When driven by a crystal.

⁵ When driven by an external oscillator via the X1 pin, X2 should be floating.

General SMBus Serial Interface Information

How to Write

- Controller (host) sends a start bit
- Controller (host) sends the write address
- IDT clock will **acknowledge**
- Controller (host) sends the beginning byte location = N
- IDT clock will **acknowledge**
- Controller (host) sends the byte count = X
- IDT clock will **acknowledge**
- Controller (host) starts sending Byte N through Byte N+X-1
- IDT clock will **acknowledge** each byte **one at a time**
- Controller (host) sends a Stop bit

Index Block Write Operation			
Controller (Host)			IDT (Slave/Receiver)
T	starT bit		
Slave Address			
WR	WRite		
			ACK
Beginning Byte = N			ACK
			ACK
Data Byte Count = X			ACK
		X Byte	ACK
O			O
O			O
O			O
Byte N + X - 1			ACK
P	stoP bit		

Note: SMBus Read/Write Address is Latched on SADR pin. Unless otherwise indicated, default values are for the xx41 and xx51. P1 devices are fully factory programmable.

How to Read

- Controller (host) will send a start bit
- Controller (host) sends the write address
- IDT clock will **acknowledge**
- Controller (host) sends the beginning byte location = N
- IDT clock will **acknowledge**
- Controller (host) will send a separate start bit
- Controller (host) sends the read address
- IDT clock will **acknowledge**
- IDT clock will send the data byte count = X
- IDT clock sends Byte N+X-1
- IDT clock sends **Byte 0 through Byte X (if X_(H) was written to Byte 8)**
- Controller (host) will need to acknowledge each byte
- Controller (host) will send a not acknowledge bit
- Controller (host) will send a stop bit

Index Block Read Operation			
Controller (Host)			IDT (Slave/Receiver)
T	starT bit		
Slave Address			
WR	WRite		
			ACK
Beginning Byte = N			ACK
			ACK
RT	Repeat starT		
Slave Address			
RD	ReaD		
			ACK
			Data Byte Count=X
ACK		X Byte	Beginning Byte N
ACK			O
O			O
O			O
O			Byte N + X - 1
N	Not acknowledge		
P	stoP bit		

SMBus Table: Output Enable Register

Byte 0	Name	Control Function	Type	0	1	Default
Bit 7	Reserved					X
Bit 6	Reserved					X
Bit 5	Reserved					X
Bit 4	Reserved					X
Bit 3	Reserved					X
Bit 2	DIF OE1	Output Enable	RW	Low/Low	Pin Control	1
Bit 1	DIF OE0	Output Enable	RW	Low/Low	Pin Control	1
Bit 0	Reserved					X

1. A low on these bits will override the OE# pin and force the differential output to the state indicated by B11[1:0] (Low/Low default).

SMBus Table: Spread Spectrum and Vhigh Control Register

Byte 1	Name	Control Function	Type	0	1	Default
Bit 7	SSEN RB1	SS Enable Readback Bit1	R	00' for SS_EN_tri = 0, '01' for SS_EN_tri = 'M', '11 for SS_EN_tri = '1'		Latch
Bit 6	SSEN RB1	SS Enable Readback Bit0	R			Latch
Bit 5	SSEN_SWCNTRL	Enable SW control of SS	RW	SS controlled by latch (B1[7:6]).	Values in B1[4:3] control SS amount.	0
Bit 4	SSENSW1	SS Enable Software Ctl Bit1	RW ¹	00' = SS Off, '01' = -0.25% SS, '10' = Reserved, '11' = -0.5% SS		0
Bit 3	SSENSW0	SS Enable Software Ctl Bit0	RW ¹			0
Bit 2	Reserved					X
Bit 1	AMPLITUDE 1	Controls Output Amplitude	RW	00 = 0.6V	01 = 0.68V	1
Bit 0	AMPLITUDE 0		RW	10 = 0.75V	11 = 0.85V	0

1. Spread must be selected OFF or ON with the hardware latch pin. These bits should not be used to turn spread ON or OFF after power up. These bits can be used to change the spread amount, and B1[5] must be set to a 1 for these bits to have any effect on the part. If These bits are used to turn spread OFF or ON, the system will need to be reset.

SMBus Table: DIF Slew Rate Control Register

Byte 2	Name	Control Function	Type	0	1	Default
Bit 7	Reserved					X
Bit 6	Reserved					X
Bit 5	Reserved					X
Bit 4	Reserved					X
Bit 3	Reserved					X
Bit 2	SLEWRATESEL DIF1	Adjust Slew Rate of DIF1	RW	Slow Setting	Fast Setting	1
Bit 1	SLEWRATESEL DIF0	Adjust Slew Rate of DIF0	RW	Slow Setting	Fast Setting	1
Bit 0	Reserved					X

Note: See "Low-Power HCSL Outputs" table for slew rates.

SMBus Table: REF Control Register

Byte 3	Name	Control Function	Type	0	1	Default
Bit 7	REF	Slew Rate Control	RW	00 = Slowest	01 = Slow	0
Bit 6			RW	10 = Fast	11 = Faster	1
Bit 5	REF Power Down Function	Wake-on-Lan Enable for REF	RW	REF disabled in Power Down	REF runs in Power Down	0
Bit 4	REF OE	REF Output Enable	RW	Disabled	Enabled	1
Bit 3	Reserved					X
Bit 2	Reserved					X
Bit 1	Reserved					X
Bit 0	Reserved					X

Byte 4 is Reserved

SMBus Table: Revision and Vendor ID Register

Byte 5	Name	Control Function	Type	0	1	Default
Bit 7	RID3	Revision ID	R	B rev = 0001		0
Bit 6	RID2		R			0
Bit 5	RID1		R			0
Bit 4	RID0		R			1
Bit 3	VID3	VENDOR ID	R	0001 = IDT		0
Bit 2	VID2		R			0
Bit 1	VID1		R			0
Bit 0	VID0		R			1

SMBus Table: Device Type/Device ID

Byte 6	Name	Control Function	Type	0	1	Default
Bit 7	Device Type1	Device Type	R	00 = FGx, 01 = DBx, 10 = DMx, 11= DBx w/oPLL		0
Bit 6	Device Type0		R			0
Bit 5	Device ID5	Device ID	R	00010 binary or 02 hex		0
Bit 4	Device ID4		R			0
Bit 3	Device ID3		R			0
Bit 2	Device ID2		R			0
Bit 1	Device ID1		R			1
Bit 0	Device ID0		R			0

SMBus Table: Byte Count Register

Byte 7	Name	Control Function	Type	0	1	Default
Bit 7		Reserved				X
Bit 6		Reserved				X
Bit 5		Reserved				X
Bit 4	BC4	Byte Count Programming	RW	Writing to this register will configure how many bytes will be read back, default is = 8 bytes.		0
Bit 3	BC3		RW			1
Bit 2	BC2		RW			0
Bit 1	BC1		RW			0
Bit 0	BC0		RW			0

Bytes 8 and 9 are Reserved

SMBus Table: PLL MN Enable, PD_Restore

Byte 10	Name	Control Function	Type	0	1	Default
Bit 7	Reserved	Reserve bit, leave at default	RW	Reserved	Reserved	0
Bit 6	Power-Down (PD) Restore	Restore Default Config. In PD	RW	Clear Config in PD	Keep Config in PD	1
Bit 5		Reserved				X
Bit 4		Reserved				X
Bit 3		Reserved				X
Bit 2		Reserved				X
Bit 1		Reserved				X
Bit 0		Reserved				X

SMBus Table: Stop State Control

Byte 11	Name	Control Function	Type	0	1	Default
Bit 7		Reserved				X
Bit 6		Reserved				X
Bit 5		Reserved				X
Bit 4		Reserved				X
Bit 3		Reserved				X
Bit 2		Reserved				X
Bit 1	STP[1]	True/Complement DIF Output Disable State	RW	00 = Low/Low	10 = High/Low	0
Bit 0	STP[0]		RW	01 = HiZ/HiZ	11 = Low/High	0

SMBus Table: Impedance Control

Byte 12	Name	Control Function	Type	0	1	Default
Bit 7	DIF0_imp[1]	DIF0 Zout	RW	00=33 \downarrow DIF Zout	10=100 \uparrow DIF Zout	See Note
Bit 6	DIF0_imp[0]	DIF0 Zout	RW	01=85 \downarrow DIF Zout	11 = Reserved	
Bit 5		Reserved				X
Bit 4		Reserved				X
Bit 3		Reserved				X
Bit 2		Reserved				X
Bit 1		Reserved				X
Bit 0		Reserved				X

SMBus Table: Impedance Control

Byte 13	Name	Control Function	Type	0	1	Default
Bit 7		Reserved				X
Bit 6		Reserved				X
Bit 5		Reserved				X
Bit 4		Reserved				X
Bit 3	DIF1_imp[1]	DIF1 Zout	RW	00=33 \downarrow DIF Zout	10=100 \uparrow DIF Zout	See Note
Bit 2	DIF1_imp[0]	DIF1 Zout	RW	01=85 \downarrow DIF Zout	11 = Reserved	
Bit 1		Reserved				X
Bit 0		Reserved				X

SMBus Table: Pull-up Pull-down Control

Byte 14	Name	Control Function	Type	0	1	Default
Bit 7	OE0_pu/pd[1]	OE0 Pull-up(PuP)/ Pull-down(Pdwn) control	RW	00=None	10=Pup	0
Bit 6	OE0_pu/pd[0]		RW	01=Pdwn	11 = Pup+Pdwn	1
Bit 5		Reserved				X
Bit 4		Reserved				X
Bit 3		Reserved				X
Bit 2		Reserved				X
Bit 1		Reserved				X
Bit 0		Reserved				X

SMBus Table: Pull-up Pull-down Control

Byte 15	Name	Control Function	Type	0	1	Default
Bit 7		Reserved				0
Bit 6		Reserved				1
Bit 5		Reserved				0
Bit 4		Reserved				1
Bit 3	OE1_pu/pd[1]	OE1 Pull-up(PuP)/ Pull-down(Pdwn) control	RW	00=None	10=Pup	0
Bit 2	OE1_pu/pd[0]		RW	01=Pdwn	11 = Pup+Pdwn	1
Bit 1		Reserved				0
Bit 0		Reserved				1

SMBus Table: Pull-up Pull-down Control

Byte 16	Name	Control Function	Type	0	1	Default
Bit 7		Reserved				0
Bit 6		Reserved				0
Bit 5		Reserved				1
Bit 4		Reserved				0
Bit 3		Reserved				0
Bit 2		Reserved				1
Bit 1	CKPWRGD_PD_pu/pd[1]	CKPWRGD_PD Pull-up(PuP)/ Pull-down(Pdwn) control	RW	00=None	10=Pup	1
Bit 0	CKPWRGD_PD_pu/pd[0]		RW	01=Pdwn	11 = Pup+Pdwn	0

Byte 17 is Reserved

SMBus Table: Polarity Control

Byte 18	Name	Control Function	Type	0	1	Default
Bit 7		Reserved				0
Bit 6		Reserved				0
Bit 5	OE1_polarity	Sets OE1 polarity	RW	Enabled when Low	Enabled when High	0
Bit 4		Reserved				0
Bit 3	OE0_polarity	Sets OE0 polarity	RW	Enabled when Low	Enabled when High	0
Bit 2		Reserved				0
Bit 1		Reserved				0
Bit 0		Reserved				0

SMBus Table: Polarity Control

Byte 19	Name	Control Function	Type	0	1	Default
Bit 7		Reserved				0
Bit 6		Reserved				0
Bit 5		Reserved				0
Bit 4		Reserved				0
Bit 3		Reserved				0
Bit 2		Reserved				0
Bit 1		Reserved				0
Bit 0	CKPWRGD_PD	Determines CKPWRGD_PD polarity	RW	Power Down when Low	Power Down when High	0

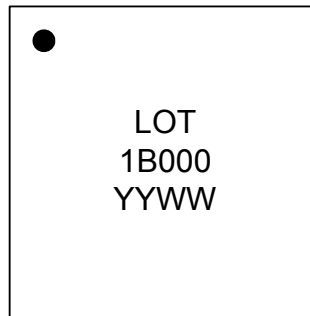
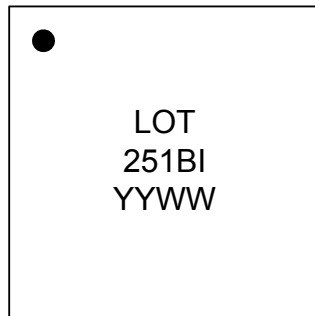
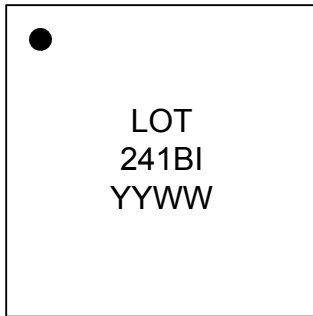
Recommended Crystal Characteristics (3225 package)

PARAMETER	VALUE	UNITS	NOTES
Frequency	25	MHz	1
Resonance Mode	Fundamental	-	1
Frequency Tolerance @ 25°C	±20	PPM Max	1
Frequency Stability, ref @ 25°C Over Operating Temperature Range	±20	PPM Max	1
Temperature Range (commercial)	0~70	°C	1
Temperature Range (industrial)	-40~85	°C	1
Equivalent Series Resistance (ESR)	50	Ω Max	1
Shunt Capacitance (C _O)	7	pF Max	1
Load Capacitance (C _L)	8	pF Max	1
Drive Level	0.3	mW Max	1
Aging per year	±5	PPM Max	1

Notes:

1. FOX 603-25-150.

Marking Diagrams



Notes:

1. "LOT" is the lot sequence number.
2. "YYWW" is the last two digits of the year and week that the part was assembled.
3. Line 2: truncated part number
4. "I" denotes industrial temperature range device.
5. "P" denotes factory programmable defaults

Thermal Characteristics

PARAMETER	SYMBOL	CONDITIONS	PKG	TYP VALUE	UNITS	NOTES
Thermal Resistance	θ_{JC}	Junction to Case	NLG24	62	°C/W	1
	θ_{Jb}	Junction to Base		5.4	°C/W	1
	θ_{JA0}	Junction to Air, still air		50	°C/W	1
	θ_{JA1}	Junction to Air, 1 m/s air flow		43	°C/W	1
	θ_{JA3}	Junction to Air, 3 m/s air flow		39	°C/W	1
	θ_{JA5}	Junction to Air, 5 m/s air flow		38	°C/W	1

¹ePad soldered to board

Package Outline and Package Dimensions (NLG24)

TOP VIEW

SIDE VIEW

BOTTOM VIEW

DETAIL "A"

REVISIONS

REV	DESCRIPTION	DATE	APPROVED
00	INITIAL RELEASE	10/15/08	RAC
01	ADD LAND PATTERN	11/19/10	JG

NOTES :

- DIMENSIONING AND TOLERANCING CONFORM TO ASME Y14.5M - 1994.
- ALL DIMENSIONS ARE IN MILLIMETERS. θ IS IN DEGREES.
- N IS THE TOTAL NUMBER OF TERMINALS.
- DIMENSION b APPLIES TO METALLIZED TERMINAL AND IS MEASURED BETWEEN 0.15 AND 0.30mm FROM TERMINAL TIP. IF THE TERMINAL HAS THE OPTIONAL RADIUS ON THE OTHER END OF THE TERMINAL, THE DIMENSION b SHOULD NOT BE MEASURED IN THAT RADIUS AREA. ND AND NE REFER TO THE NUMBER OF TERMINALS ON EACH D AND E SIDE RESPECTIVELY.
- MAX. PACKAGE WARRAGE IS 0.05 mm.
- MAXIMUM ALLOWABLE BURRS IS 0.076 mm IN ALL DIRECTIONS.
- PIN #1 ID ON TOP WILL BE LASER MARKED.
- BILATERAL COPLANARITY ZONE APPLIES TO THE EXPOSED HEAT SINK SLUG AS WELL AS THE TERMINALS.
- THIS DRAWING CONFORMS TO JEDEC REGISTERED OUTLINE MO-220 PULLBACK (L1) MAYBE PRESENT
- PULLBACK DESIGN OPTION IS FOR 0.50mm NOMINAL LANDLENGTH ONLY.

TOLERANCES UNLESS SPECIFIED

SYMBOL	MIN.	NOM.	MAX.	UNIT
θ	0.80	0.90	1.0	DEG
A1	0.00	0.02	0.05	mm
A3	0	0.20	REF.	mm
\ominus	0	0.20	MIN.	mm
K	0	0.20	MIN.	mm
D	0	4.0	BSC	mm
E	0	4.0	BSC	mm
L1	0	0.15	MAX	mm

APPROVALS

APPROVALS	DATE	TITLE
DRAWN ∂ AKG	10/15/08	NL/NLG24 PACKAGE OUTLINE
CHECKED		4.0 x 4.0 mm BODY 0.5 mm PITCH OFN

SIZE DRAWING No. PSC-4192

DO NOT SCALE DRAWING

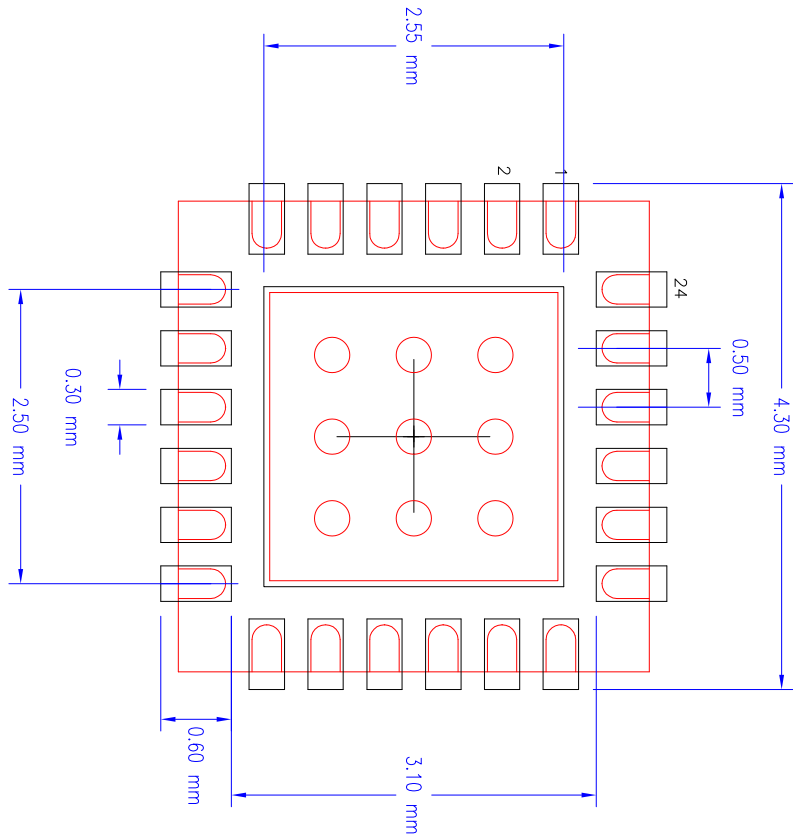
www.IDT.com

8024 Silver Creek Valley Road
San Jose, CA 95138
PHONE: (408) 284-8200
FAX: (408) 284-8591

REV 01

SHEET 1 of 2

Package Outline and Package Dimensions (NLG24), cont.



NLG24 RECOMMENDED FOOTPRINT 2.45 mm SQ EPAD

REVISIONS			
REV	DESCRIPTION	DATE	APPROVED
00	INITIAL RELEASE	11/19/10	JG
01	ADD LAND PATTERN	11/19/10	JG

TOLERANCES UNLESS SPECIFIED	
DECIMAL	± ANGULAR
XXX	4
XXXX	
XXXXX	
APPROVALS	DATE
DRAWN <i>JP</i>	11/19/10
CHECKED	
SIZE	DRAWING No.
C	PSC-4192
DO NOT SCALE DRAWING	
SHEET 2 OF 2	

6024 Silver Creek Valley Road
San Jose, CA 95138
PHONE: (408) 294-8000
FAX: (408) 294-8591

TITLE NLG24 PACKAGE OUTLINE
 4.0 x 4.0 mm BODY
 0.5 mm PITCH VQFPN

Ordering Information

Part / Order Number	Shipping Packaging	Package	Temperature
9FGL0241BKILF	Trays	24-pin VFQFPN	-40 to +85° C
9FGL0241BKILFT	Tape and Reel	24-pin VFQFPN	-40 to +85° C
9FGL0251BKILF	Trays	24-pin VFQFPN	-40 to +85° C
9FGL0251BKILFT	Tape and Reel	24-pin VFQFPN	-40 to +85° C
9FGL02P1BxxxKILF	Trays	24-pin VFQFPN	-40 to +85° C
9FGL02P1BxxxKILFT	Tape and Reel	24-pin VFQFPN	-40 to +85° C

“LF” suffix to the part number are the Pb-Free configuration and are RoHS compliant.

“B” is the device revision designator (will not correlate with the datasheet revision).

“xxx” is a unique factory assigned number to identify a particular default configuration.

Revision History

Rev.	Issue Date	Initiator	Description	Page #
C	4/20/2016	RDW	<ol style="list-style-type: none"> 1. Removed VDDIO reference, this part does not have the feature 2. Clarified that the 9FGL04P device has 8MHz to 40MHz input frequency range, and that the 9FGL0441/0451 use a 25MHz input. 3. Updated max IDD for case WOL mode from 11mA to 14mA. 4. Corrected Stop State Control bit decode in Byte 11 5. Updated Amplitude Control Bit Decode in Byte 1 	
D	6/3/2016	RDW	<ol style="list-style-type: none"> 1. Update electrical tables for B rev production release 2. Added PCIe SRIS and PCIe Gen4 CC to phase jitter tables. 3. Updated front page text. 4. Removed '000' blank device from ordering information. 5. Updated Byte0 wording for clarity 6. Updated Byte1[1:0] descriptions. 	Various
E	6/22/2016	RDW	1. Updated electrical tables with final data from PE/TE	Various
F	10/18/2016	RDW	1. Removed IDT crystal part number	
G	11/30/2016	RDW	1. Updated Byte 1 and its footnote for clarity.	11



Corporate Headquarters
6024 Silver Creek Valley Road
San Jose, CA 95138 USA
www.IDT.com

Sales
1-800-345-7015 or 408-284-8200
Fax: 408-284-2775
www.IDT.com/go/sales

Tech Support
www.idt.com/go/support

DISCLAIMER Integrated Device Technology, Inc. (IDT) and its subsidiaries reserve the right to modify the products and/or specifications described herein at any time and at IDT's sole discretion. All information in this document, including descriptions of product features and performance, is subject to change without notice. Performance specifications and the operating parameters of the described products are determined in the independent state and are not guaranteed to perform the same way when installed in customer products. The information contained herein is provided without representation or warranty of any kind, whether express or implied, including, but not limited to, the suitability of IDT's products for any particular purpose, an implied warranty of merchantability, or non-infringement of the intellectual property rights of others. This document is presented only as a guide and does not convey any license under intellectual property rights of IDT or any third parties.

IDT's products are not intended for use in applications involving extreme environmental conditions or in life support systems or similar devices where the failure or malfunction of an IDT product can be reasonably expected to significantly affect the health or safety of users. Anyone using an IDT product in such a manner does so at their own risk, absent an express, written agreement by IDT.

Integrated Device Technology, IDT and the IDT logo are registered trademarks of IDT. Product specification subject to change without notice. Other trademarks and service marks used herein, including protected names, logos and designs, are the property of IDT or their respective third party owners.

Copyright ©2016 Integrated Device Technology, Inc.. All rights reserved.