

DO NOT SCALE

DIMENSIONS IN mm

METRIC

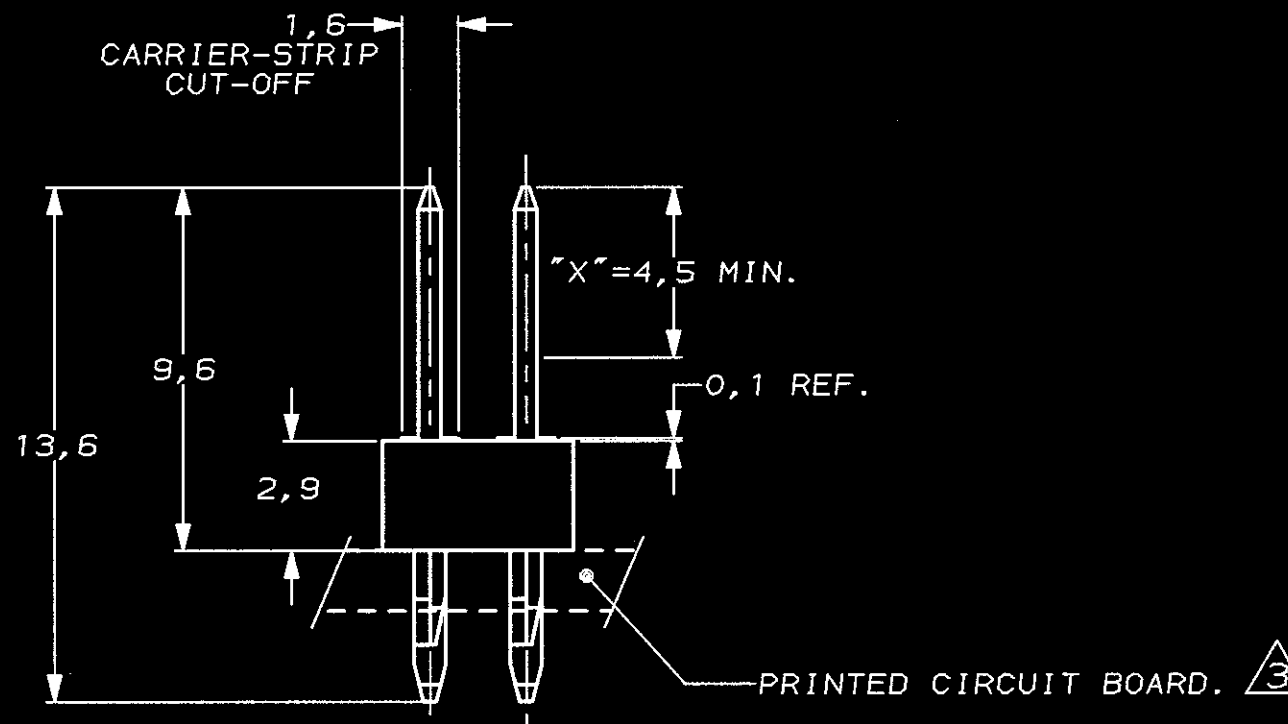
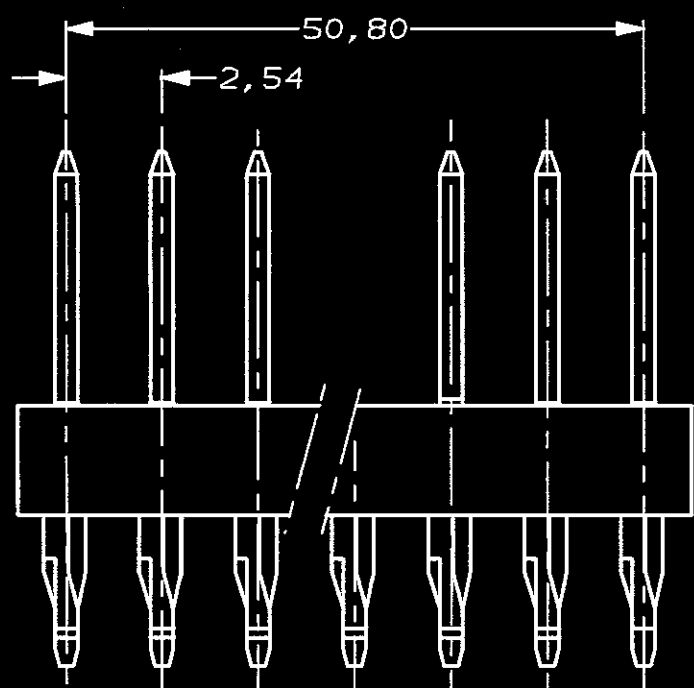
THIRD ANGLE

PROJECTION



NOTES:

- 1 CONTACT/HOUSING RETENTION FORCE > 1,5 N.
- 2 MATERIAL HOUSING: GREEN GLASSFILLED POLYESTER  
MATERIAL CONTACT: PHOSPHOR BRONZE
- △ ACTION PIN SUITABLE FOR 1,6mm P.C. BOARD THICKNESS
- 4 PLATING:  
AREA "X" Au-PLATED 0,76µm THICKNESS  
ACTION-PIN AREA SnPb PLATED 1,27µm THICKNESS  
UNDERCOATING 1,27µm Ni ALL OVER



P.C.B. HOLE DIM. ACTION PIN	
DRILLED HOLE	:1,15 ±0,025 mm
FIN. HOLE	:0,94 to 1,09 mm
AFTER REFLOW	:0,91 to 1,09 mm
Cu-thks	:0,025 to 0,075 mm
SnPb-thks	:0,004 to 0,010 mm

		FINISH		MATERIAL		PARTNUMBER	
-	-	-	-	-	-	CUSTOMER DRAWING FOR REFERENCE ONLY WILL NOT BE UPDATED	
-	-	-	-	-	-	© COPYRIGHT 19- BY AMP HOLLAND B.V. ALL INTERNATIONAL RIGHTS RESERVED. AMP PRODUCTS MAY BE COVERED BY U.S. AND FOREIGN AND/OR PATENTS PENDING.	
-	-	-	-	-	-	THIS DRAWING IS UNPUBLISHED RELEASED FOR PUBLICATION ,19	
-	-	-	-	-	-	AMP HOLLAND B.V. 's-Hertogenbosch, The Netherlands.	
-	-	-	-	-	-	NAME	
0	EH-1396-95	D.C.	RdB	16.11.95	AMP MODU MOD II HEADER, 21 POS. WITH ACTION PIN AND STAGGERED LOADING		
LTR.	REVISION RECORD	DR.	CHK.	DATE			
DR.	B. AMPCHROER	CHK.	R. BLJECK	APP.	-	DWG. No.	REV. LTR.
DATE:	16.11.95	DATE:	16.11.95	DATE:	-	C-188828	0
						SHEET	A3
						1 OF 1	