

CGJ4C2C0G1H222J060AA

TDK Item Description : CGJ4C2C0G1H222JT***

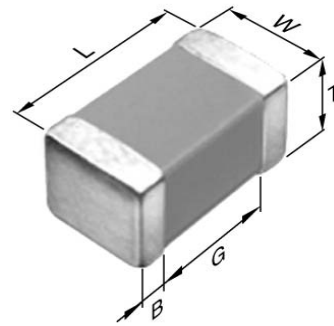


Application & Main Feature

High Reliability Grade (General (Up to 50V))

Series

CGJ4(2012) [EIA CC0805]



Dimensions

- L 2.00mm +/-0.2mm
- W 1.25mm +/-0.2mm
- T 0.60mm +/-0.15mm
- B 0.20mm Min.
- G 0.50mm Min.

Temperature Characteristic

C0G (-55 to 125 degC 0+/-30ppm/degC)

Rated Voltage

1H (50Vdc)

Capacitance

2.2nF

Capacitance Tolerance

J (+/-5%)

Q Factor

1000 Min.

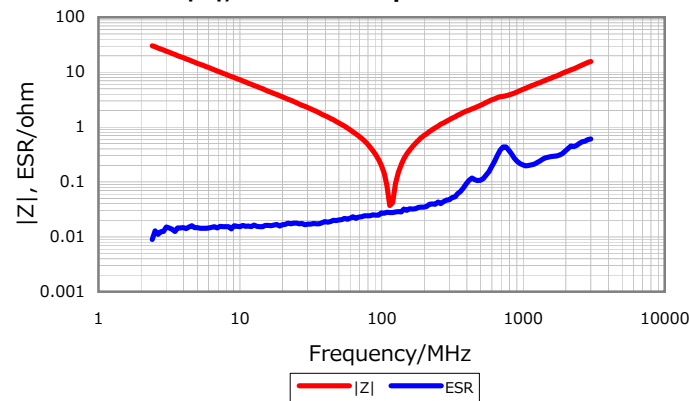
Insulation Resistance

10Gohm Min.

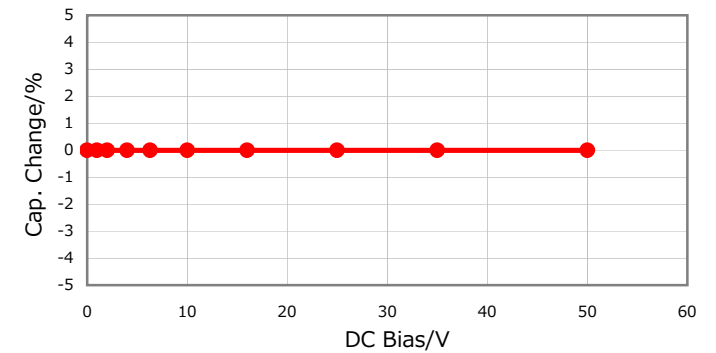
AEC-Q200

Yes

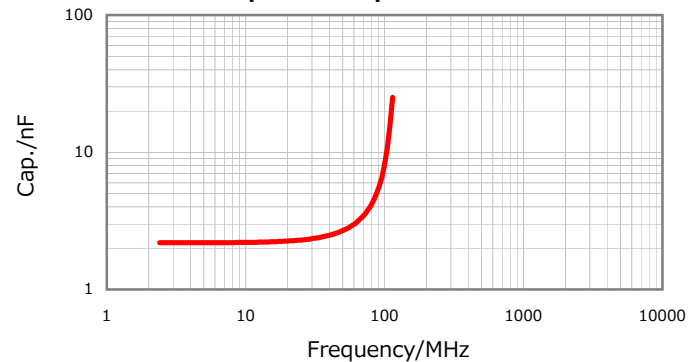
|Z|, ESR vs. Freq. Characteristics



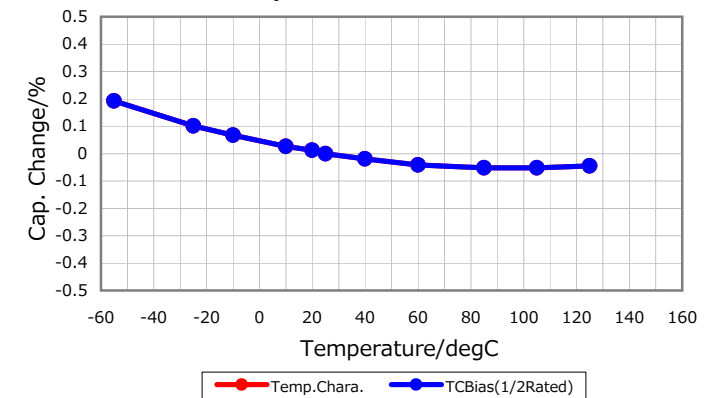
DC Bias Characteristic



Cap. vs. Freq. Characteristic



Temperature Characteristics



Characterization Sheet (Multilayer Ceramic Chip Capacitors)



All specifications are subject to change without notice.

January 4, 2016