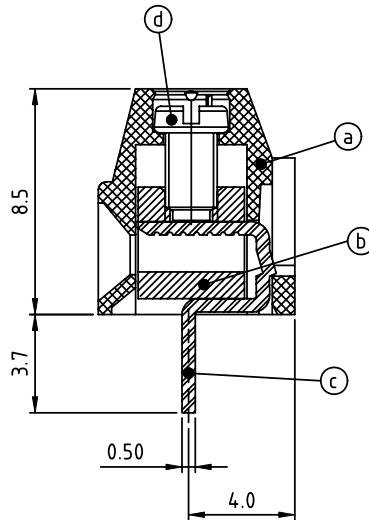
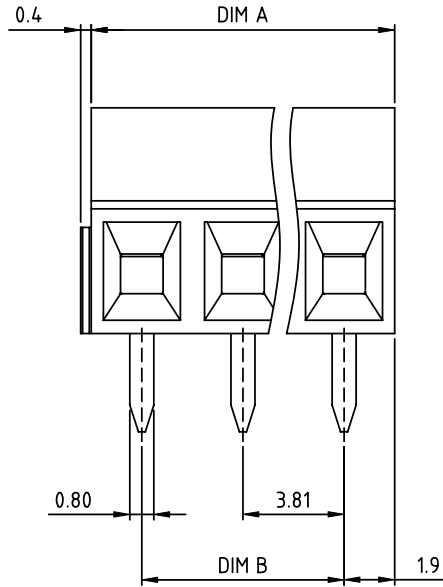
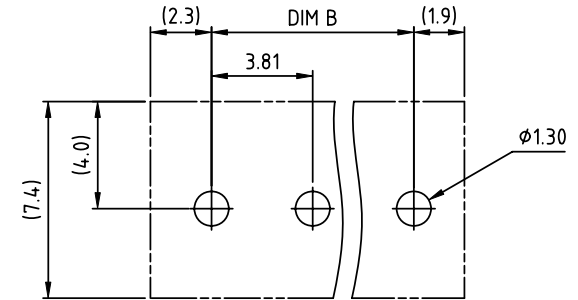
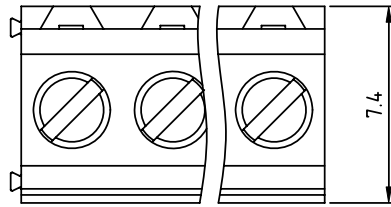


PRODUCT NUMBER	PITCH
Y0xx21x000J0G	3.81 mm



RECOMMENDED P.C.B LAYOUT  
TOP VIEW

Material:

- Item ① Terminal housing : Thermoplastic (UL 94V-0)
- Item ② Clamp : Brass, Ni plated
- Item ③ solder pin : Brass, Tin plated
- Item ④ Terminal screw : Steel Zinc plating "-" slot type

Electrical cULus / TUV

- Voltage rating: 300V / 300V
- Current rating: 10A / 12A
- Wire range: 0.2~1.5mm<sup>2</sup>
- Solid wire(AWG): 16-24
- Stranded wire(AWG): 16-24
- Torque: 1.7 Lb.in / 0.2Nm (stackable type: 1.5Kgf cm)
- Screw: M2
- Wire strip length: 5-6mm
- Withstanding Voltage: 1.6KV / 1.25KV
- Operating temperature: -40°C to +115°C
- Soldering temperature: 260°C±5°C/5 Sec
- Safety Approval:

PART NO.: YO xx 2 1 x 0 00J0 G

Dimension

Dim A = N×3.81
Dim B = (N-1)×3.81

N = Number of poles

Poles	Tolerance
2P-5P	±0.15
6P-12P	±0.30
13P-24P	±0.40

Solid Block	No. of poles	Color	RoHS compliant (lead<4%) In copper Alloy
0	2	Black (RAL9005)	
02	2 poles	Red (RAL3001/D)	
03	3 poles	Orange(RAL2011/P)	
...	...	4 Yellow(RAL1018/A)	
5	5 poles	Green(RAL6018/T)	
6	6 poles	Blue (RAL5015/A)	
8	8 poles	Grey(RAL7035/D)	
9	9 poles	White(RAL1102)	
C	24 poles	Green(RAL6018/U)	

mat'l. code		surface ASME Y14.5	tolerance ASME Y14.5	projection	product family
ltr ecn no dr date		tolerances unless otherwise specified			TERMINAL BLOCK
		angles	X.±0.5	MM	title
		X*±1°	X.X±0.3		TERMINAL BLOCK
			X.XX±0.1	scale	RISING CLAMP, 180D WIRE INLET
		dr	EVIN ZHONG 040714		dwg no
		enrg	EVIN ZHONG 040714		sheet 1 of 1
		chr	HANKE FENG 040714		size
		appd	SHI JUN 040714		A4
sheet index	revision sheet	A	1	type CUSTOMER Drawing	