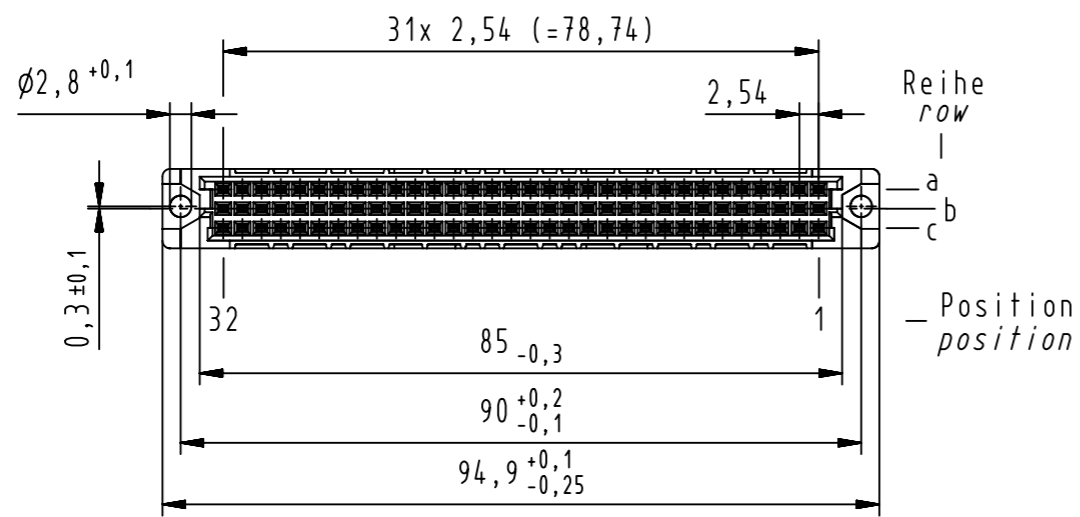
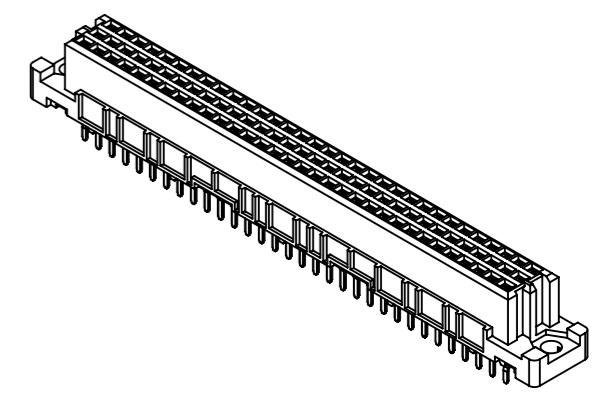
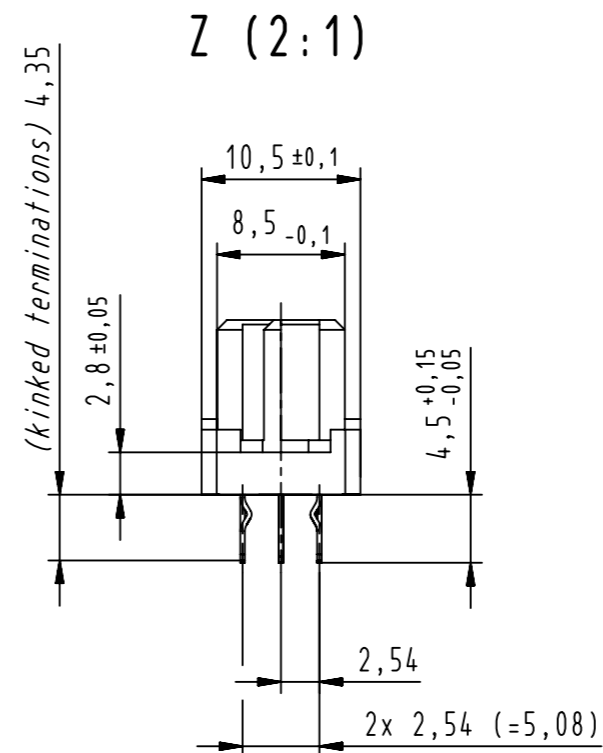
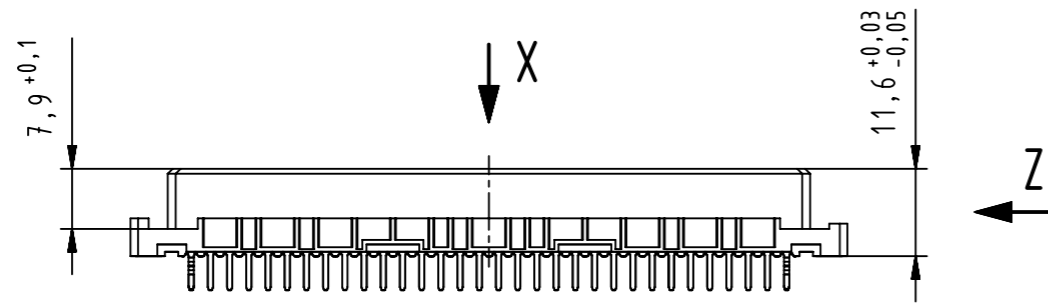


92 Einlöt Kontakte  
4 kinked Einlöt Kontakte  
92 solder contacts  
4 kinked solder contacts

- ☒ = Einlöt Kontakt  
= solder-contact
- = kinked Einlöt Kontakt  
= kinked solder contact
- = Kontaktposition nicht belegt  
= position without contact



09 03 296 6845 222	2
Bestell-Nr. part-no.	Anforderungsstufe performance level

① weitere Informationen siehe: DS 09 03 212 00 01  
further information see: DS 09 03 212 00 01

	All Dimensions in mm Original Size DIN A3	Scale 1:1	Free size tol. complementary IEC 60603-2	Ref. Sub.
	All rights reserved	Created by LEHNERT	Inspected by TADJE	Standardisation HOFFMANN
	Department EC PD - DE	Date 2013-01-10		State Final Release
HARTING Electronics GmbH D-32339 Espelkamp		Title DIN Signal type C female solder 4.5 NFF		Doc-Key / ECM-Nr. 100173852/UGD/165/C 50000055974
		Type TB	Number 0903296X845222	Rev. C Page 1/1