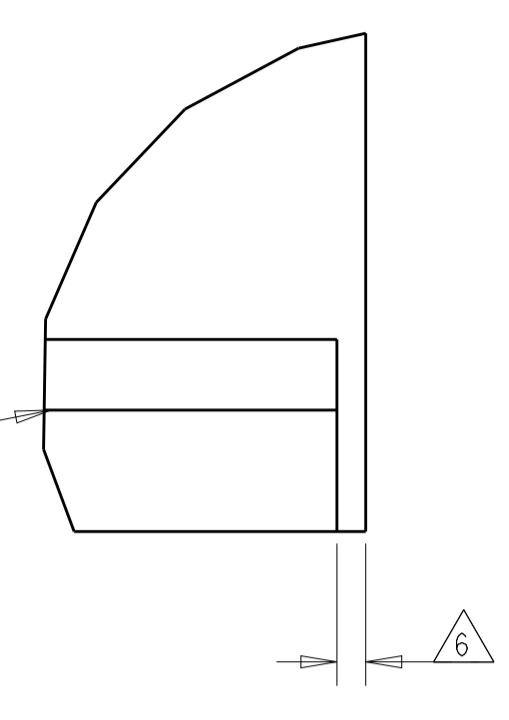
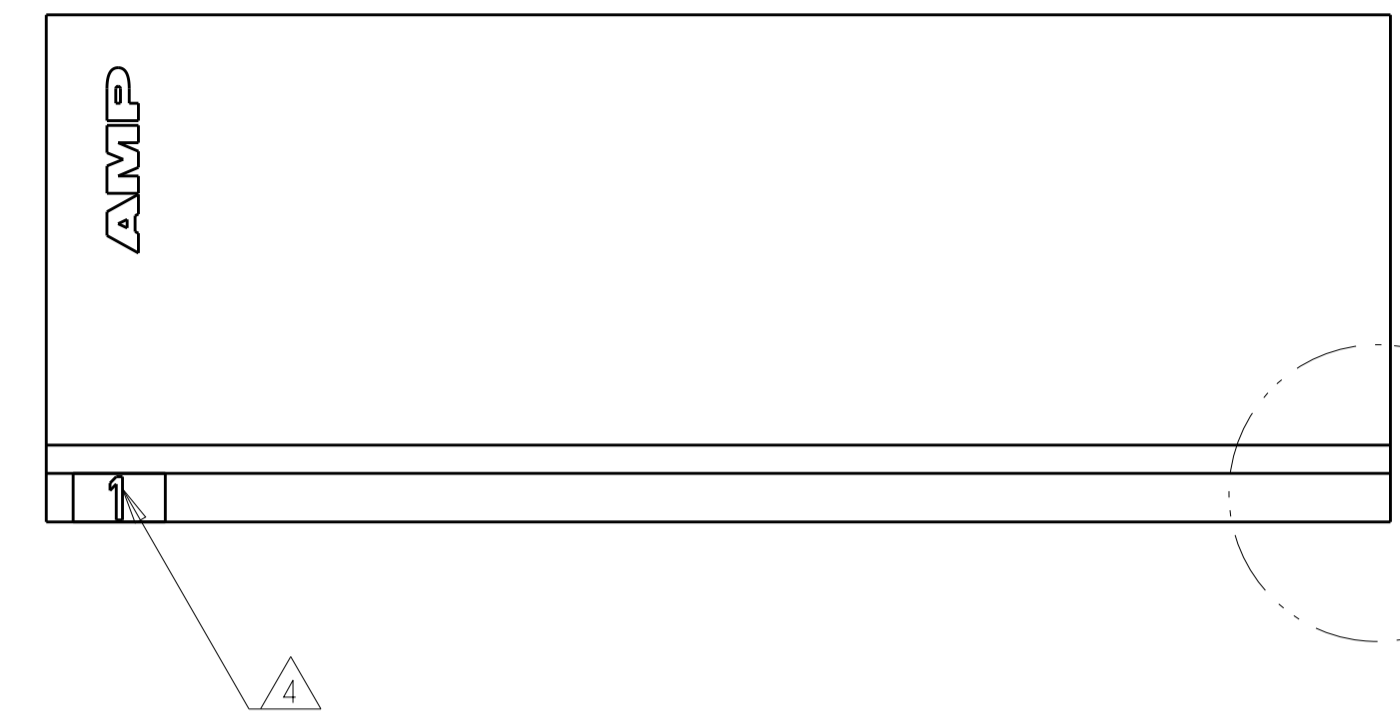
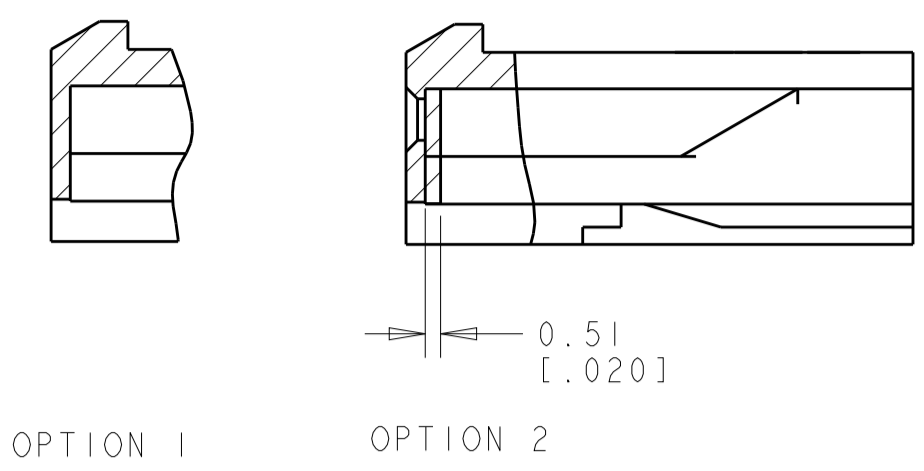


LOC	DIST	REVISIONS					
		P.	LTN	DESCRIPTION	DATE	DWN	APVD
CM	00	C		REVISED PER ECR-13-008203	20JUN2013	KH	JR



SCALE 10:1

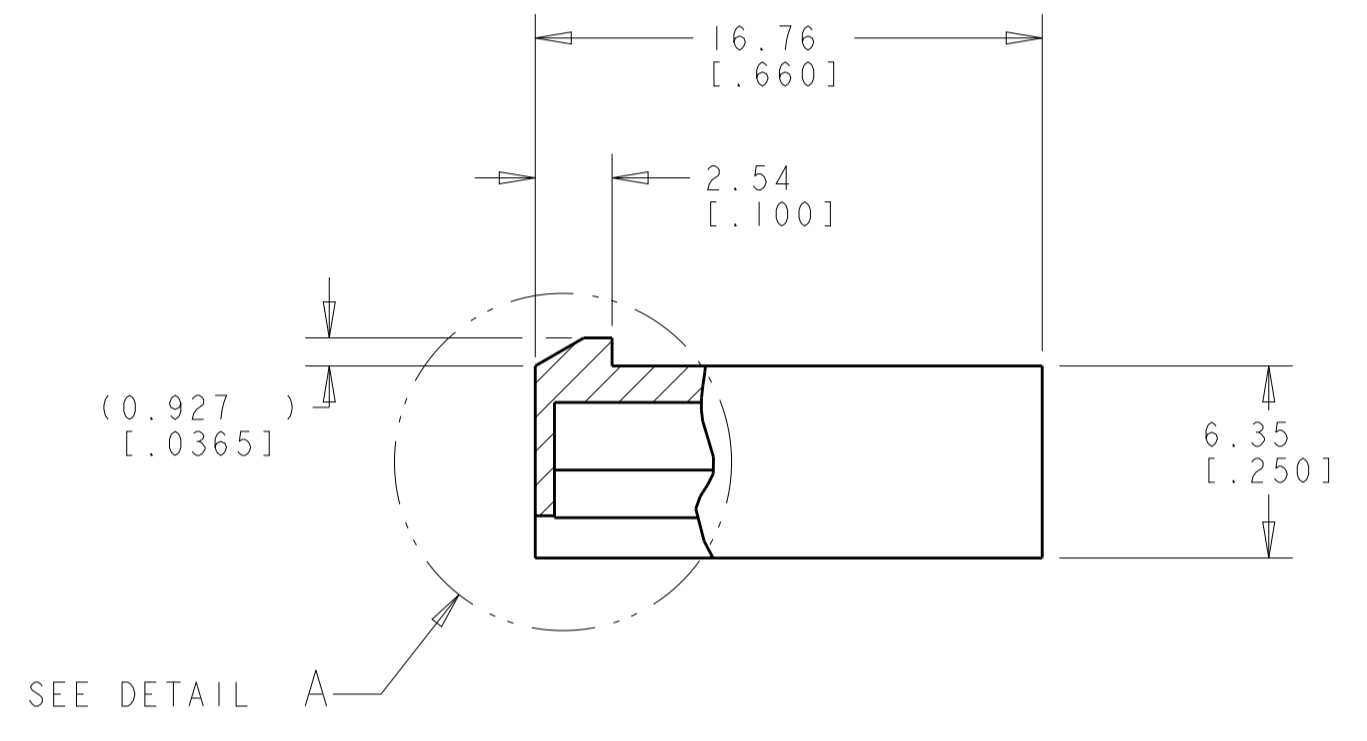
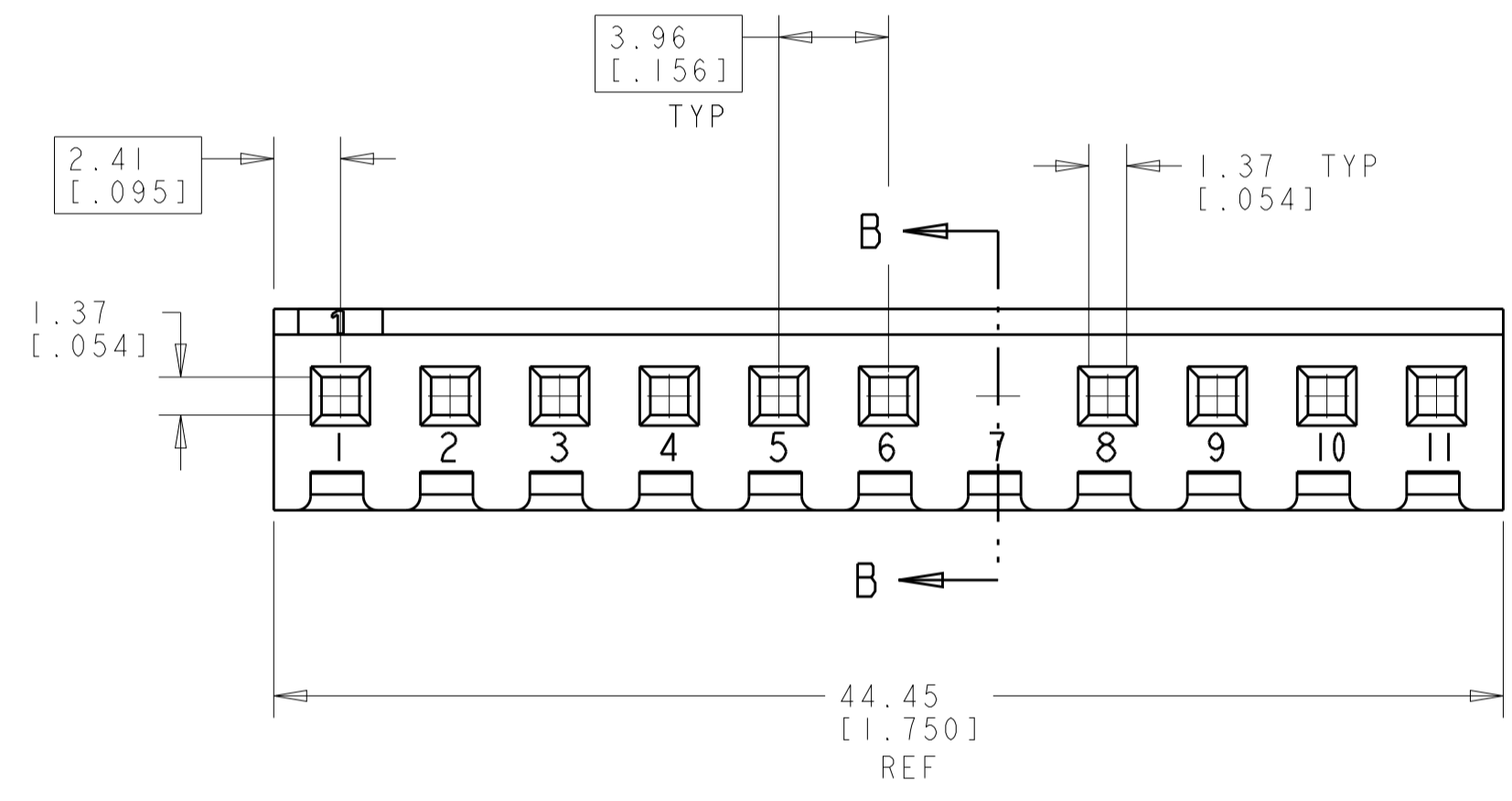


OPTION 1

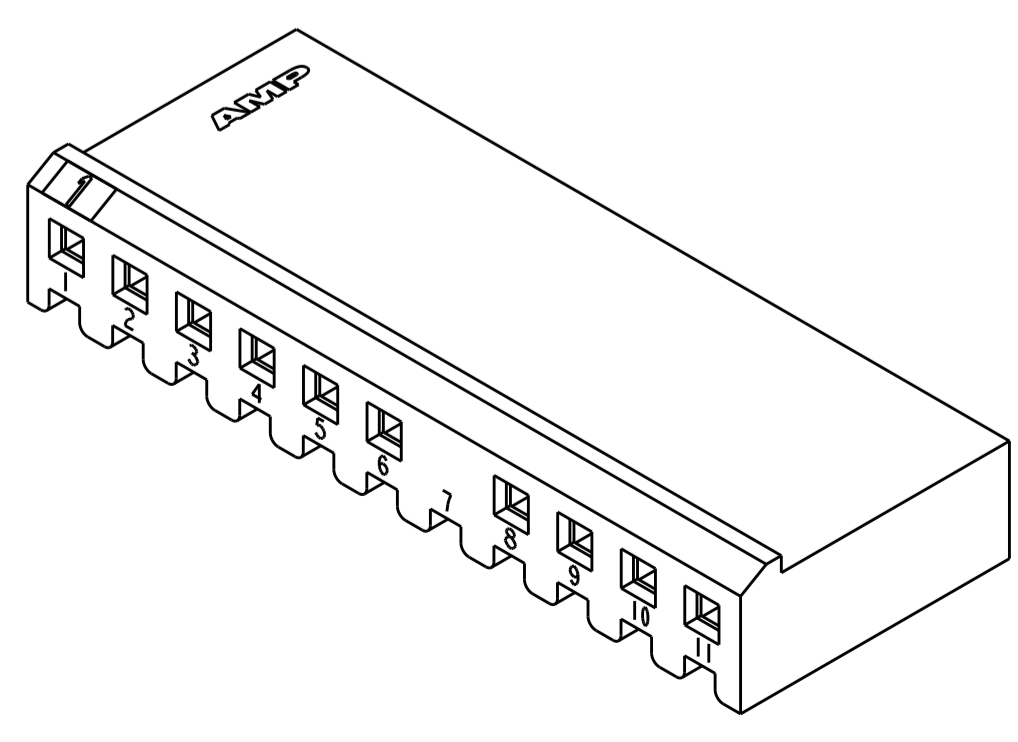
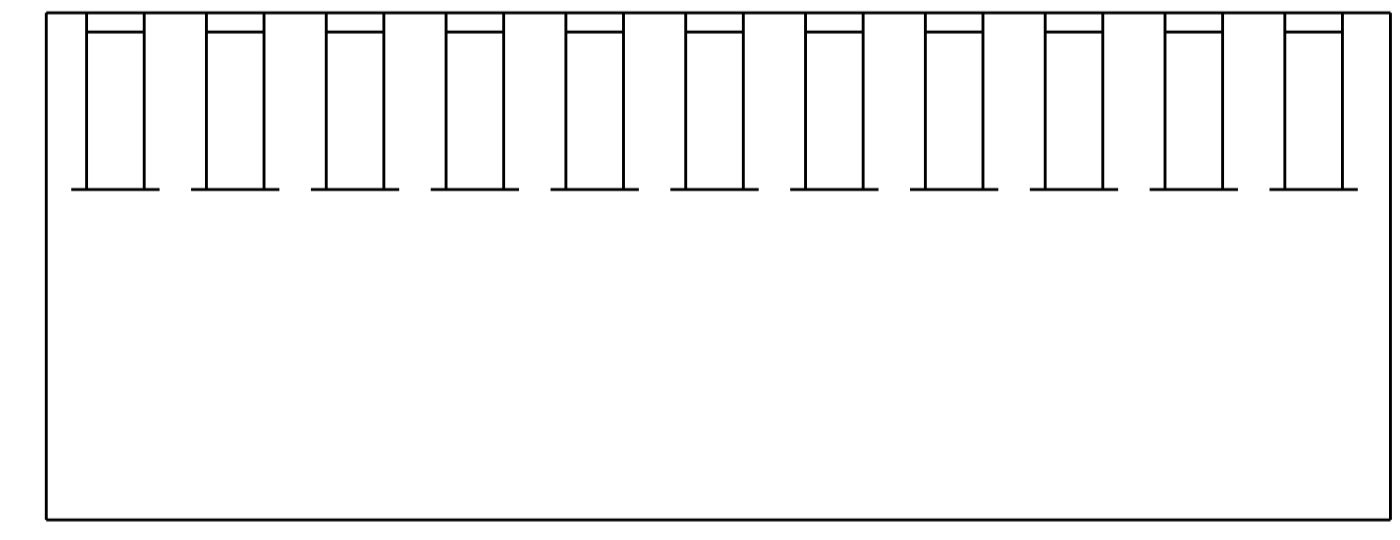
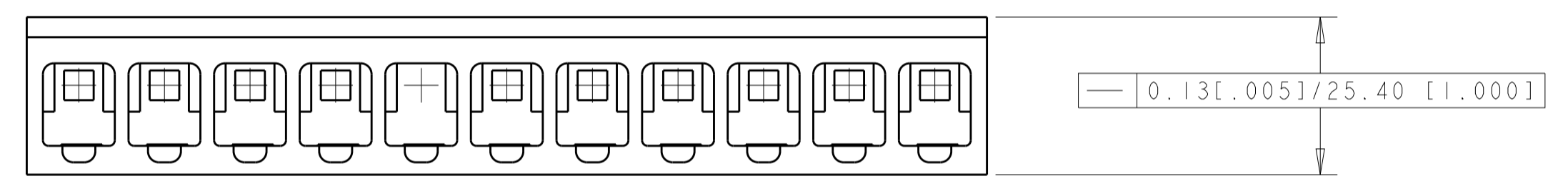
OPTION 2

DETAIL A
SCALE 4:1

1. UNIT ACCEPTS 1.14 [.045] SQUARE OR ROUND POST.
2. UNIT ACCEPTS STANDARD SL-156 CONTACTS.
3. UNIT ACCEPTS KEYING PLUG 640254-1 AND KEYING PIN 640255-1.
4. CIRCUIT I.D. NUMBER(S) TO BE LOCATED SEQUENTIALLY AS SHOWN OR ONLY NO. 1 CIRCUIT PLACED ON LOCKING RAMP.
5. DIMENSION IN BRACKETS ARE IN INCHES.
6. OPTIONAL CONSTRUCTION (BOTH CORNERS) UP TO 0.38 [.015].
7. DETAIL A SHOWS CIRCUIT 7 MOLDED CLOSED. EITHER OPTION 1 OR OPTION 2 MAY BE USED.
8. ACCEPTS UP TO 2.79 [.110] INSULATION WIRE.



SECTION B-B



3-DIMENSIONAL MODEL
SCALE 3:1

11	1-647415-1
NO OF CIRCUITS	PART NUMBER

THIS DRAWING IS A CONTROLLED DOCUMENT.		DWN K. WHITAKER 27-JAN-04	NAME HOUSING, WITH LOCKING RAMP, SL-156, FOR LARGE WIRE INSULATION, CIRCUIT 7 BLOCKED
DIMENSIONS: mm [INCHES]		CHK J. ELLIS 27-JAN-04	
TOLERANCES UNLESS OTHERWISE SPECIFIED:		APVD J. ELLIS 27-JAN-04	PRODUCT SPEC
0 PLC	±		APPLICATION SPEC
1 PLC	±		
2 PLC	±0.13 [.005]		
3 PLC	±		
4 PLC	±		
ANGLES	±	40° 30'	
MATERIAL NYLON UL94V-0, NATURAL	FINISH	WEIGHT	SIZE A100779C=647415
CUSTOMER DRAWING		SCALE 4:1	RESTRICTED TO SHEET 1 OF 1 REV C