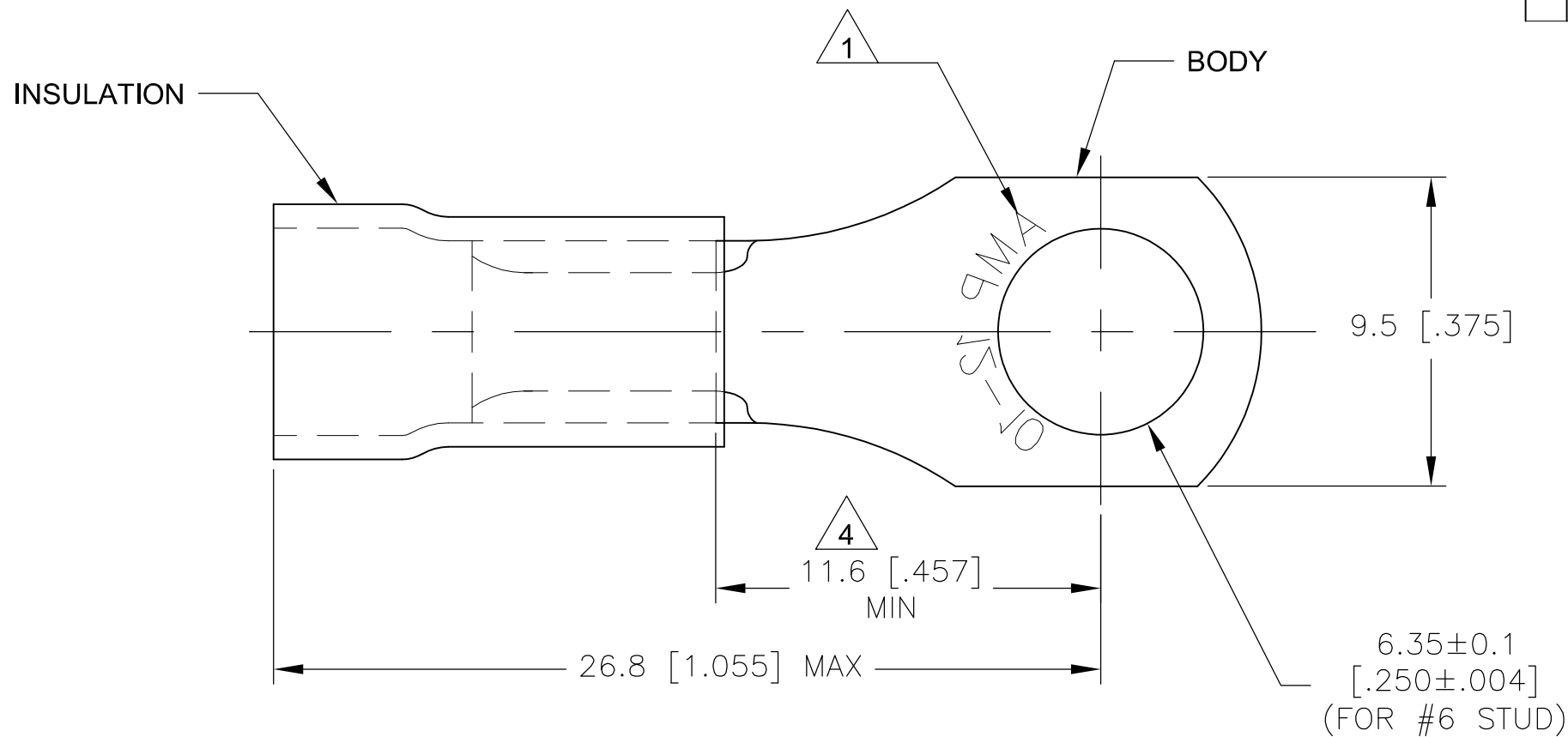
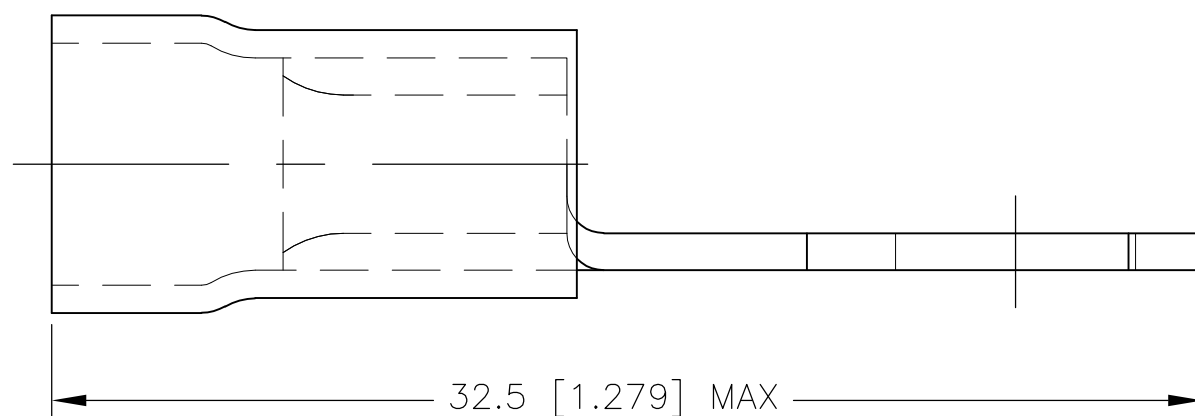


THIS DRAWING IS UNPUBLISHED. RELEASED FOR PUBLICATION
© COPYRIGHT BY TYCO ELECTRONICS CORPORATION. ALL INTERNATIONAL RIGHTS RESERVED.

LOC	DIST	REVISIONS					
G	86	P	LTR	DESCRIPTION	DATE	DWN	APVD
			B2	REVISED PER ECR-10-004261	25FEB10	JR	TM



- 1 STAMP "AMP 12-10", LOCATED APPROX AS SHOWN ON BOTTOM.
- 2 BODY- COPPER PER ASTM B-152 INSULATION - VINYL
- 3 BODY - TIN PLATE PER ASTM B-545 INSULATION - COLOR-YELLOW
- 4 APPLIES FROM THE METAL EDGE OF THE WIRE BARREL TO THE CENTER OF THE STUD HOLE.
- 5 FOR INSULATION DIA 3.8-6.4 [.150-.250]



130699
PART NUMBER

THIS DRAWING IS A CONTROLLED DOCUMENT.		DWN	JR RUTH	25FEB10	Tyco Electronics Corporation Harrisburg, PA 17105-3608		
DIMENSIONS: mm [INCHES]		CHK	TOM MICHIELUTTI	25FEB10			
TOLERANCES UNLESS OTHERWISE SPECIFIED:		APVD	TOM MICHIELUTTI	25FEB10	NAME		
0 PLC ± - 1 PLC ± - 2 PLC ± 0.2 [.008] 3 PLC ± - 4 PLC ± - ANGLES ± 5°		PRODUCT SPEC		WIRE TERMINAL, RING TONGUE, PLASTI-GRIP, WIRE SIZE 12-10			
MATERIAL		APPLICATION SPEC		RESTRICTED TO			
FINISH		WEIGHT		SIZE			
- 2		-		A3 00779 C-130699			
- 3		CUSTOMER DRAWING		SCALE 5:1 SHEET 1 OF 1 REV B2			