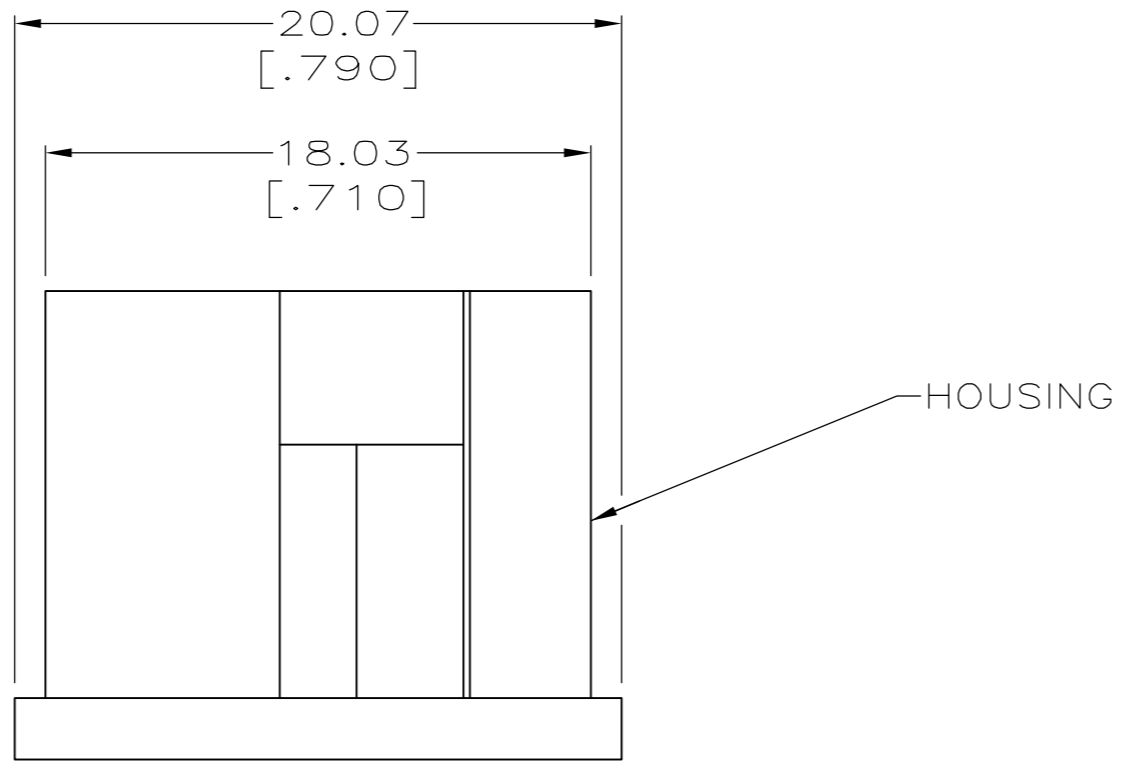
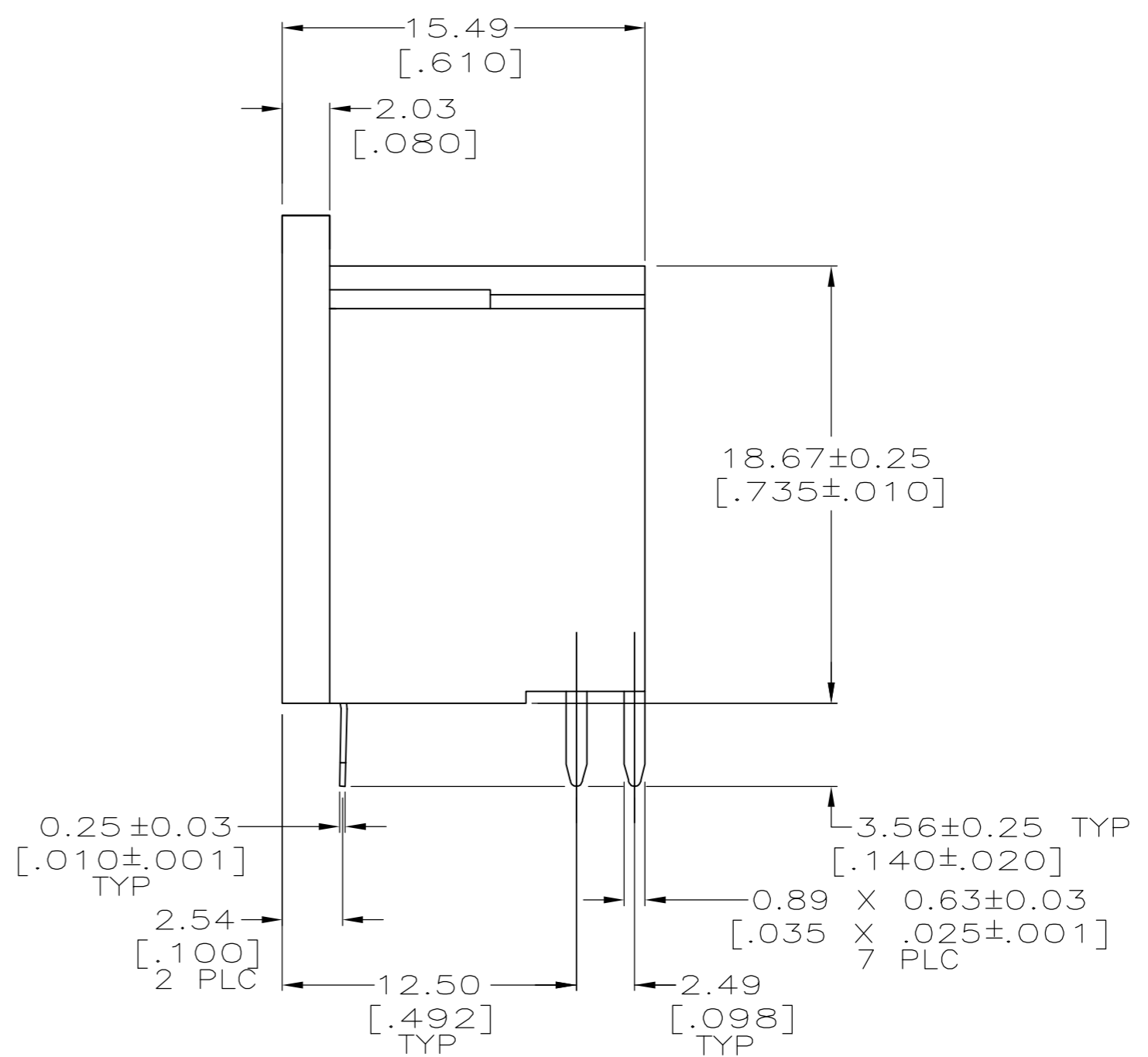
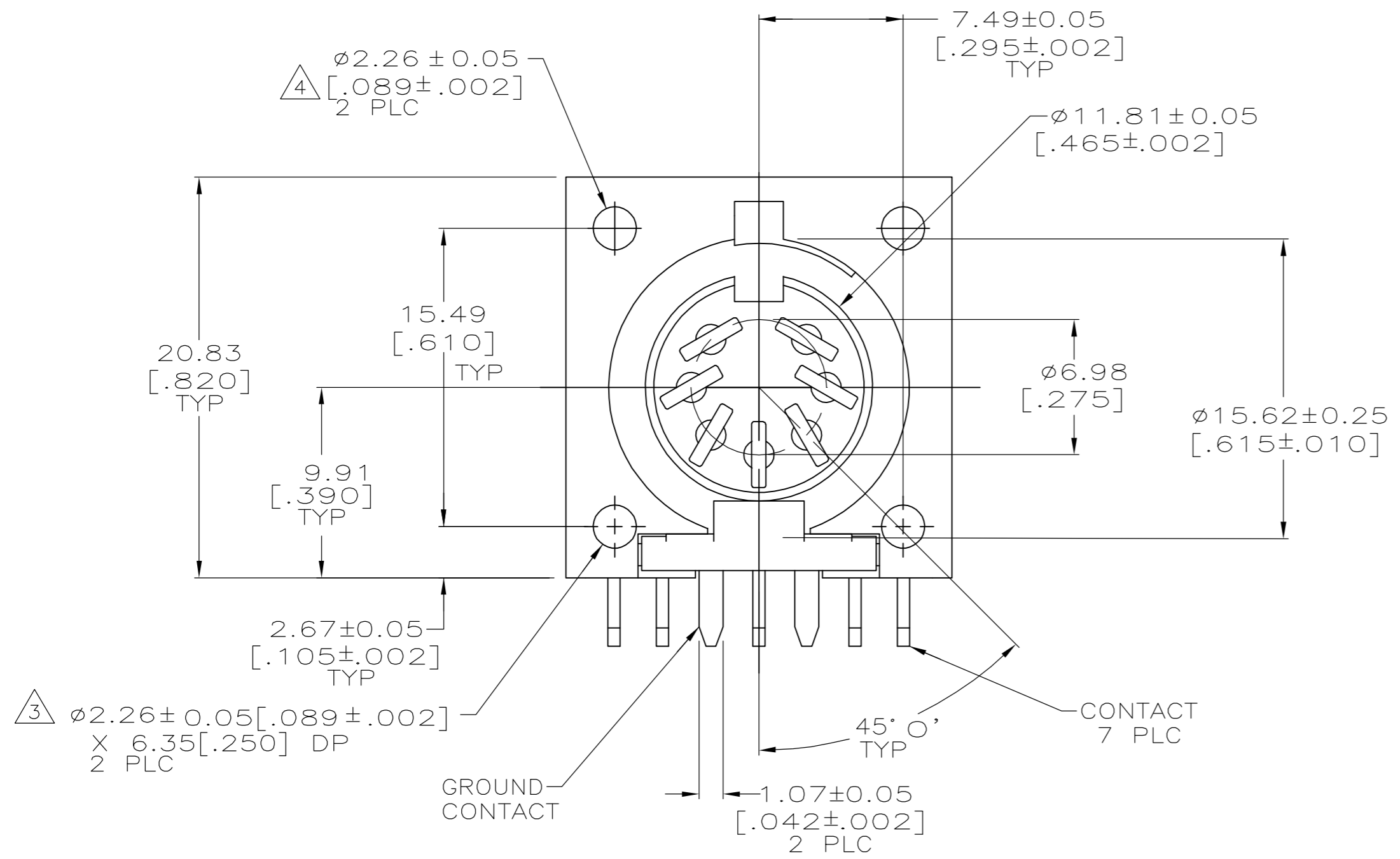


THIS DRAWING IS UNPUBLISHED. RELEASED FOR PUBLICATION
 © COPYRIGHT BY TYCO ELECTRONICS CORPORATION. ALL RIGHTS RESERVED.

LOC		DIST		REVISIONS			
P	LTR	DESCRIPTION		DATE	DWN	APVD	
GP	00	01		REVISED PER ECO-07-008008	10APR07	JDP/CWR	



- ① HOUSING: NYLON, UL 94V-0 RATED, BLACK.
- ② CONTACTS & GROUND CONTACT: 2.54μm [.000100] MIN TIN OVER 1.27μm [.000050] MIN NICKEL.
- ③ ACCEPTS #2 SELF-TAPPING SCREW, .250 LONG REF.
- ④ CONTACTS & GROUND CONTACTS: BRASS.



5786165-1
 PART NO

THIS DRAWING IS A CONTROLLED DOCUMENT.		DWN	11-12-04	tyco Electronics	Tyco Electronics Corporation Harrisburg, PA 17105-3608	
DIMENSIONS: mm [INCHES]		CHK	11-12-04		NAME RECEPTACLE ASSY, 7 POSITION, CIRCULAR DIN	
TOLERANCES UNLESS OTHERWISE SPECIFIED:		APVD	11-12-04	PRODUCT SPEC		
0 PLC ± -	1 PLC ± -	M. WALMSLEY		APPLICATION SPEC		
2 PLC ± 0.13 [.005]	3 PLC ± -	108-10047		SIZE		
4 PLC ± -	ANGLES ± 0° 30'	114-40025		CAGE CODE	DRAWING NO	RESTRICTED TO
MATERIAL	FINISH	WEIGHT		A2	00779	5786165
①	④	CUSTOMER DRAWING		SCALE	4:1	SHEET 1 of 1
						REV 01