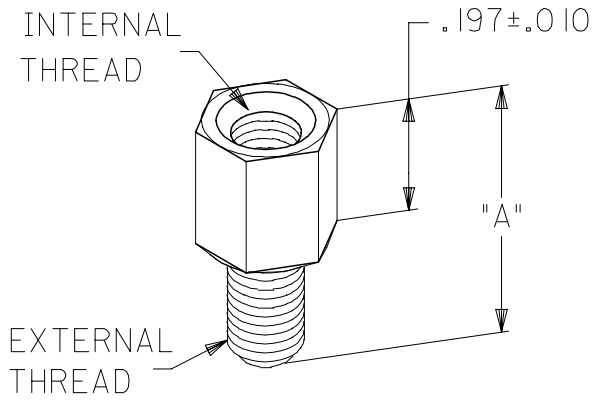


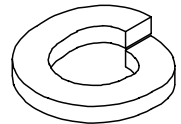
6	5	4	3	2	1
PART NUMBER	DIMINSION "A"	INTERNAL THREAD	EXTERNAL THREAD	FINISH	
70982-1002	.394±.020	4-40 UNC	M3	TIN PLATE	

NOTE:  
COMPONENTS WILL BE KITTED IN PVC BAGS PER THE FOLLOWING BILL OF MATERIALS:

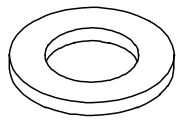
BILL OF MATERIALS		
ITEM #	QTY	DESCRIPTION
1	2	HEX. LOCK SCREW
2	4	WASHER
3	2	LOCKWASHER
4	2	NUT



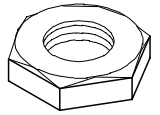
ITEM #1



ITEM #3



ITEM #2



ITEM #4

REMOVED 70982-1006  
EC NO: UCP2006-2579  
DRWN:MS IBARRA 2006/09/25  
CHKD:BBARKER 2006/10/02  
APPR:SMILLER 2006/10/03

QUALITY SYMBOLS	DESCRIPTION
▼=0	
▽=0	

GENERAL TOLERANCES (UNLESS SPECIFIED)	
	mm INCH
4 PLACES	± --- ± ---
3 PLACES	± --- ± ---
2 PLACES	± --- ± ---
1 PLACE	± --- ± ---
ANGULAR ±1/2°	
DRAFT WHERE APPLICABLE MUST REMAIN WITHIN DIMENSIONS	

DIMENSION STYLE INCH ONLY	
DRAWN BY	DATE
MOS	1992/09/14
CHECKED BY	DATE
OSULLIVAN	1992/09/14
APPROVED BY	DATE
BIXLER	1992/09/14
MATERIAL NO. SEE TABLE	

SCALE 4:1	DESIGN UNITS INCH	THIRD ANGLE PROJECTION
TITLE 3/16 HEXAGONAL SCREWLOCK HARDWARE KIT		
MOLEX INCORPORATED		
DOCUMENT NO. SDMS-70982-****		SHEET NO. 1 OF 1
THIS DRAWING CONTAINS INFORMATION THAT IS PROPRIETARY TO MOLEX INCORPORATED AND SHOULD NOT BE USED WITHOUT WRITTEN PERMISSION		