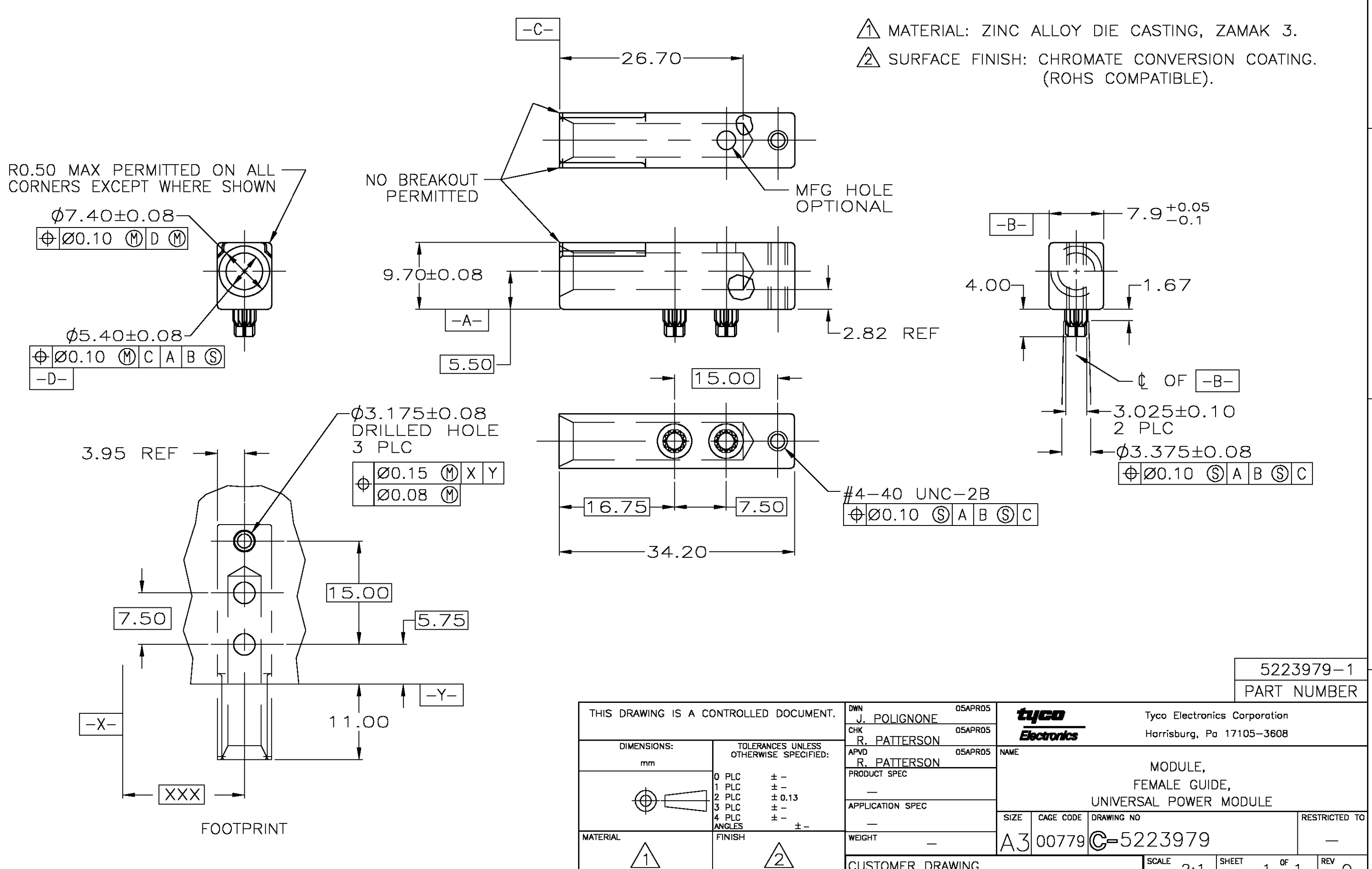


THIS DRAWING IS UNPUBLISHED. RELEASED FOR PUBLICATION
 © COPYRIGHT BY TYCO ELECTRONICS CORPORATION. ALL RIGHTS RESERVED.

| LOC | DIST | REVISIONS | | | |
|-----|------|-------------|------------------------------|---------|---------|
| P | LTR | DESCRIPTION | DATE | DWN | APVD |
| AD | 47 | 0 | RELEASED PER EC 0S12-0101-05 | 05APR05 | JDP RAP |



5223979-1
 PART NUMBER

| | | | | | | |
|--|--|---------------------------------|---|-----------|------------|---------------|
| THIS DRAWING IS A CONTROLLED DOCUMENT. | | DWN J. POLIGNONE 05APR05 | Tyco Electronics Corporation Harrisburg, Pa 17105-3608 | | | |
| DIMENSIONS: mm | | CHK R. PATTERSON 05APR05 | | | | |
| TOLERANCES UNLESS OTHERWISE SPECIFIED: | | APVD R. PATTERSON 05APR05 | NAME | | | |
| 0 PLC ± - 1 PLC ± - 2 PLC ± 0.13 3 PLC ± - 4 PLC ± - ANGLES ± - | | PRODUCT SPEC | MODULE, FEMALE GUIDE, UNIVERSAL POWER MODULE | | | |
| MATERIAL | | APPLICATION SPEC | SIZE | CAGE CODE | DRAWING NO | RESTRICTED TO |
| Δ 1 | | WEIGHT | A3 | 00779 | C=5223979 | - |
| Δ 2 | | CUSTOMER DRAWING | | SCALE | SHEET | REV |
| | | | | 2:1 | 1 OF 1 | 0 |