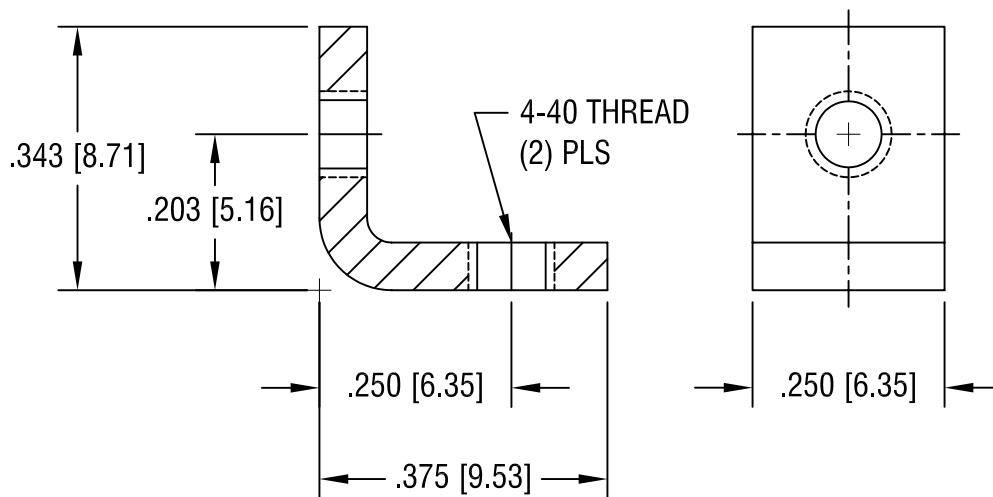


THIS DOCUMENT IS THE PROPERTY OF
KEYSTONE ELECTRONICS CORP. AND
SHALL NOT BE REPRODUCED, DISTRIBUTED
OR USED AS A BASIS FOR MANUFACTURE
WITHOUT PRIOR WRITTEN PERMISSION
FROM KEYSTONE ELECTRONICS CORP.



KEYSTONE ELECTRONICS CORP.

ASTORIA, N.Y. 11105-2017

PART NAME

THREADED MOUNTING BRACKET

MATERIAL

.062 [1.57] TH'K STEEL

FINISH

ZINC PLATE

DRN BY

BOONE

DATE

10.9.97

APP'D

LN

SCALE

4X

5.9.06

CHANGE AS PER ECN 06-029

A

TOLERANCES

INCH [MM]

CODE

DWG NO.

DECIMAL $\pm .010$ [± 0.25]

C

ANGULAR $\pm 1^\circ$
UNLESS OTHERWISE SPECIFIED

621

DATE

DESCRIPTION

REV.