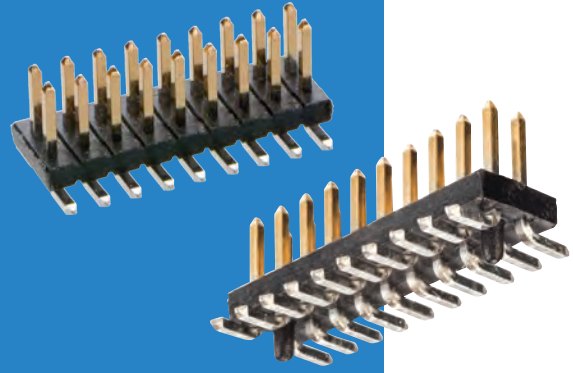


# Archer Connectors – M50

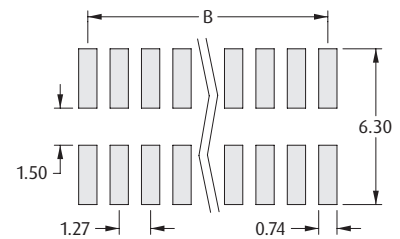
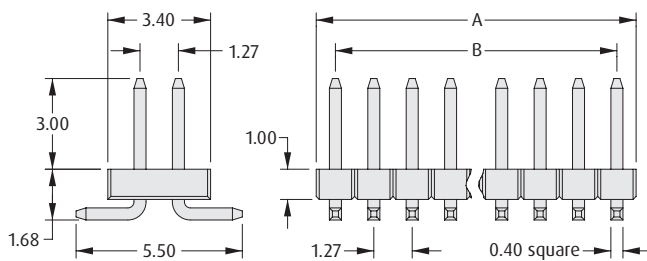
## Male Vertical Surface Mount Double Row

- ❖ Suitable for use with female connectors and jumper sockets.
- ❖ Also available with variable dimensions.
- ❖ Available with or without location posts.
- ❖ Tape and Reel packaging option includes Pick and Place cap for automated assembly.



1.27mm (.050") PITCH

### WITHOUT POSTS

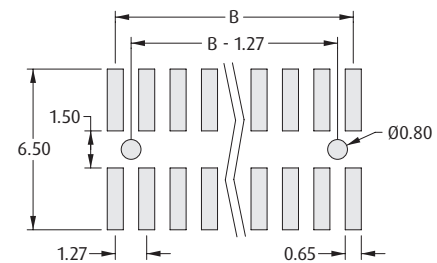
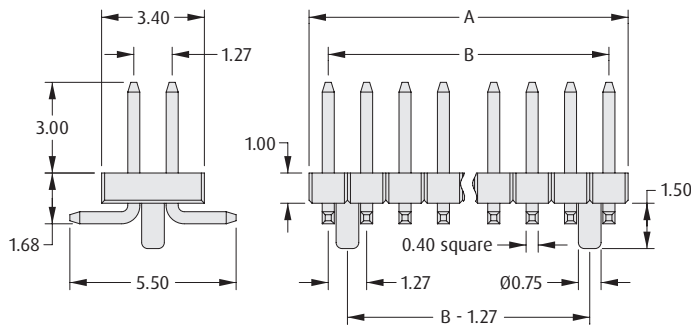


Recommended PC Board Pattern

### CALCULATION

<b>A</b>	1.27 x No. of contacts per row
<b>B</b>	1.27 x (No. of contacts per row - 1)

### WITH POSTS



Recommended PC Board Pattern

### HOW TO ORDER

**M50 - 36 X XX 42 X**

#### SERIES CODE

#### TYPE

<b>0</b>	Without Posts
<b>1</b>	With Posts

#### NO. OF CONTACTS PER ROW

<b>02 to 50</b>	Without Posts
<b>05 to 08, 10, 12, 15, 20, 25</b>	With Posts

#### PACKAGING

<b>Blank</b>	Loose
<b>R</b>	Tape & Reeled (check website for available sizes)

#### FINISH

<b>42</b>	Gold + Tin
-----------	------------

All dimensions in mm.